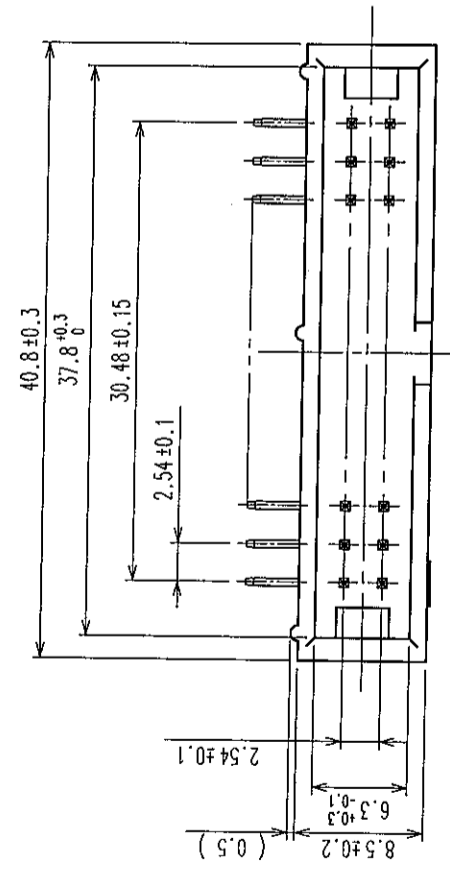
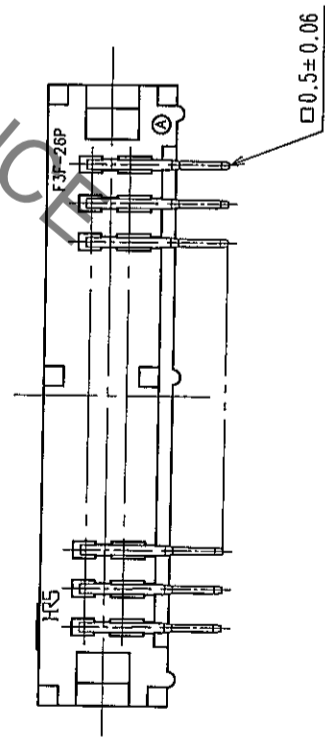
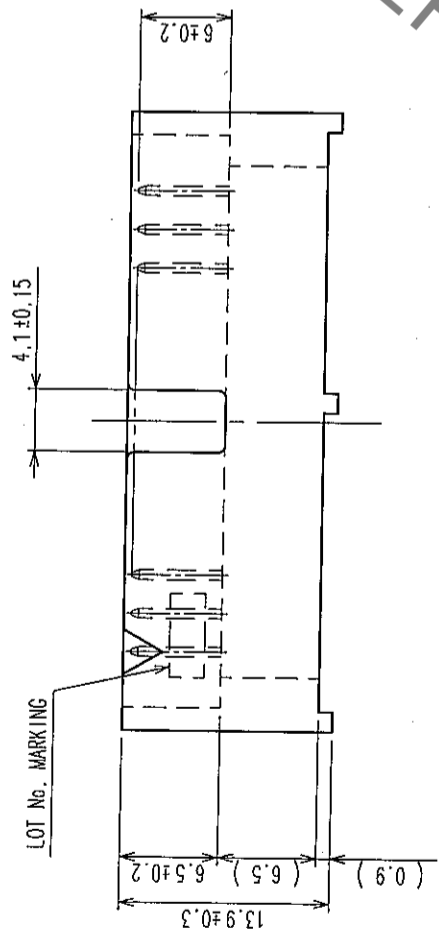
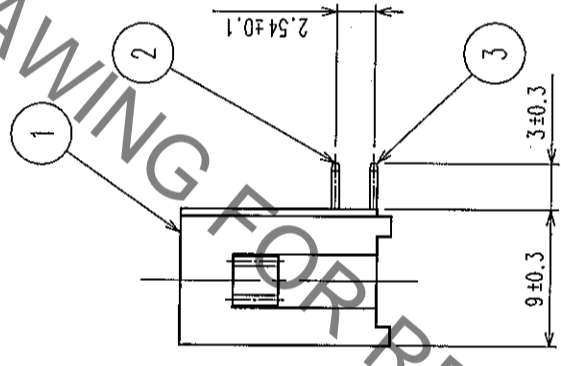
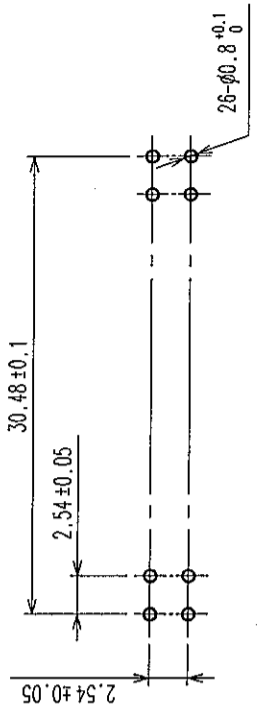


3 Apr.1.2020 Copyright 2020 HIROSE ELECTRIC CO., LTD. All Rights Reserved.
 In case of consideration for using Automotive equipment / device which demand high reliability, kindly contact our sales window correspondents.

COUNT	DESCRIPTION OF REVISIONS	BY	CHKD	DATE	COUNT	DESCRIPTION OF REVISIONS	BY	CHKD	DATE
△					△				
△					△				
△					△				



RECOMMENDED PCB HOLE PATTERN



NOTE 1 THE DIMENSION IN PARENTHESES ARE FOR PREFERENCE.

1	PBT	BLACK	UL94V-0	2, 3	BRASS					CONTACT AREA: GOLD PLATED 0.2μm min DIP AREA: TIN PLATED 2μm min UNDER PLATING: NICKEL PLATED 2.5μm min	
NO.	MATERIAL	FINISH, REMARKS	NO.	MATERIAL	FINISH, REMARKS						
CODE NO. (OLD)	CL		DRAWN	DESIGNED	CHECKED	APPROVED	RELEASED				
			T. NODA 04.10.28	K. Doi 04.10.28	K. Ogawa 04.10.28	K. Ogawa 04.10.28					
DRAWING NO.		PART NO.		FINISH, REMARKS		FINISH, REMARKS		FINISH, REMARKS		FINISH, REMARKS	
EDC3-016848-21		HIF3F-26PA-2.54DS(71)									
SCALE		UNITS		ITTT		HRS		HIROSE ELECTRIC CO., LTD		CL615-0044-4-71	
2 : 1		mm								1/1	

TO	
PCK	

HRS DRAWING FOR REFERENCE