

MICRO SWITCH

A DIVISION OF MINNEAPOLIS-HONEYWELL REGULATOR COMPANY
 FREEPORT, ILLINOIS

FED. MFR. CODE 91929

ACTUATOR-SWITCH

CATALOG LISTING

MC2711B

ARMY-NAVY PART NO. AN3168-1

(M)MC2711B
 ISSUE 12

MC2711B

M

DRAWING NUMBER

ISSUE

15

REPLACES

RELEASE NO.

CHECK

REVISIONS

A	COI4866	JID	26 AUG 60
B	COI6924	OMW	10 APR 62
C	CO79303	SAD	4 MAR 95

CHECK

26 AUG 60

26 AUG 60

26 AUG 60

26 AUG 60

26 AUG 60

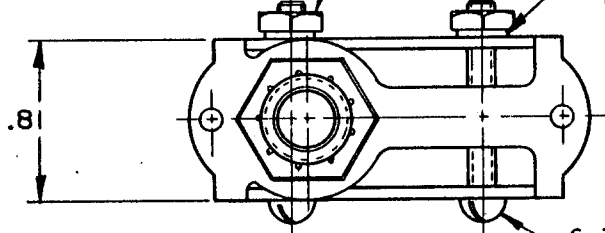
26 AUG 60

26 AUG 60

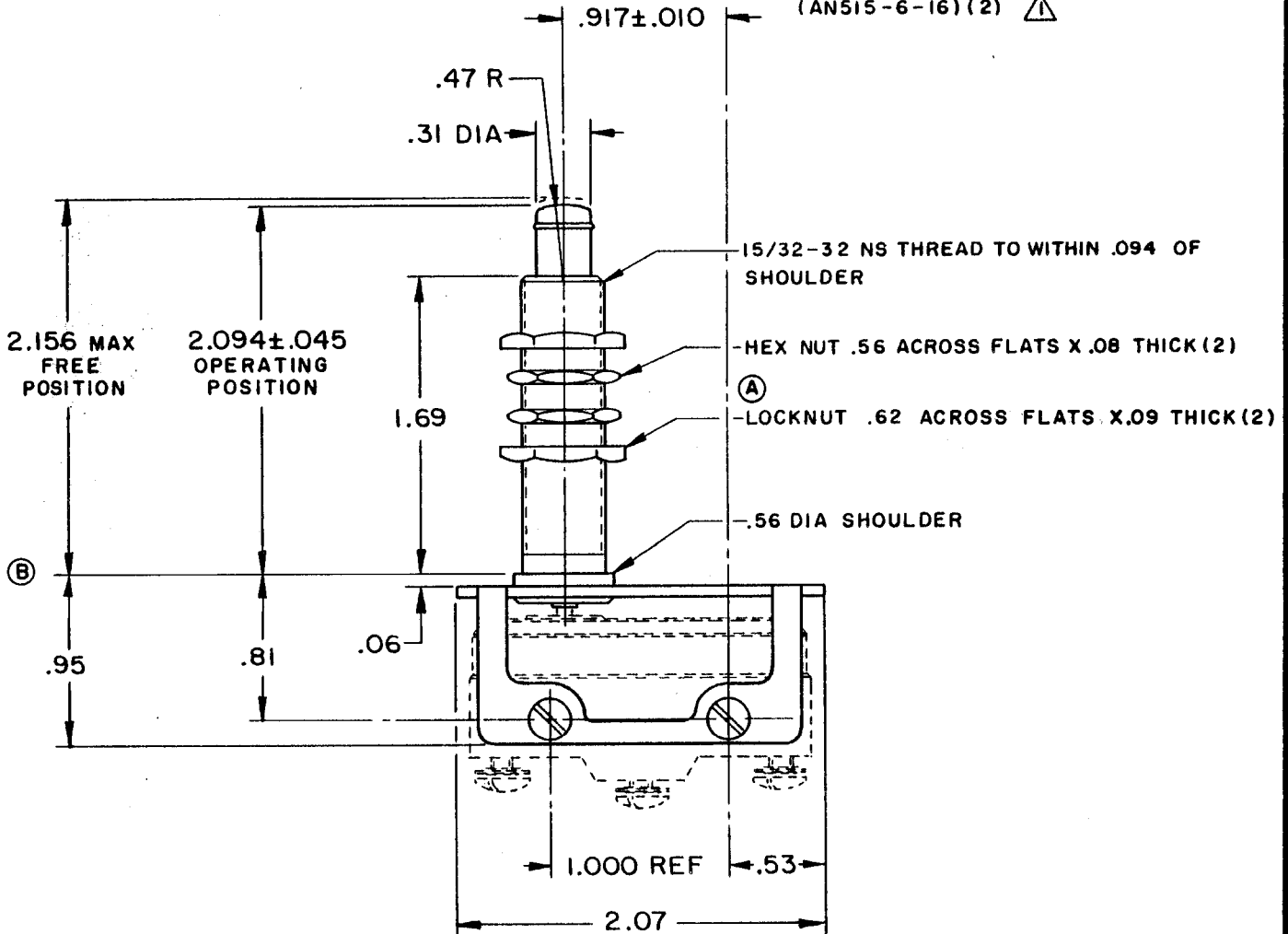
26 AUG 60

6-32 NC ST'D HEX NUT 1
 (AN340-6)(2)

LOCKWASHER
 (AN936-A6)(2) ⚠



6-32 NC X 1.000 REF ROUND HEAD
 MACHINE SCREW
 (AN515-6-16)(2) ⚠



NOTE -
 ⚠ FURNISHED UNASSEMBLED
 2 - ACTUATOR WILL PERFORM SATISFACTORILY IN TEMPERATURES TO MINUS 65° F

THIS DRAWING COVERS A PROPRIETARY ITEM AND IS THE PROPERTY OF MICRO SWITCH, A DIVISION OF MINNEAPOLIS-HONEYWELL REGULATOR CO. THIS DRAWING IS NOT TO BE COPIED OR USED WITHOUT THE APPROVAL OF MICRO SWITCH.

CHARACTERISTICS	ELECTRICAL DATA		SCALE FULL
	CONTACT ARRANGEMENT	BREAK DISTANCE	DO NOT SCALE PRINT
FULL OVERTRAVEL FORCE --- 4 LB MAX OVERTRAVEL --- .188 MIN			UNLESS OTHERWISE SPECIFIED DIMENSIONS ARE IN INCHES
			TOLERANCES ARE: ONE PLACE (.0) ± .030 TWO PLACE (.00) ± .015 THREE PLACE (.000) ± .008 ANGLES ±
			WEIGHT

FO-50378

DRAWN

JID 26 AUG 60