

JZX-18FH

MINIATURE INTERMEDIATE POWER RELAY



File No.:E133481



File No.:R50029721



File No.: 40010932



File No.:CQC02001001940



Features

- 7A switching capabilities
- 2 to 4 pole configurations
- 1.5KV dielectric coil to contacts. 2.5KV is available.
- Various terminals ,test button available
- Au-claded contact available
- Conform to the CE low voltage directive

CONTACT DATA

Contact Arrangement	2C, 3C	4C
Initial Contact Resistance Max.	50mΩ(at 1A 24VDC)	
Contact Material	Silver Alloy	
Contact Rating (Res. Load)	5A, 7A/250VAC 30VDC	3A, 5A/250VAC 30VDC
Max. switching voltage	250VAC/30VDC	
Max. switching current	7A	5A
Max. switching power	210W 1750VA	150W 1250VA
Mechanical life	2 x 10 ⁷ OPS	
Electrical life	1 x 10 ⁵ OPS	

COIL DATA

Nominal Voltage VDC	Pick-up Voltage VDC	Drop-out Voltage VDC	Coil Resistance Ω
5	4.0	0.50	27.5 ± 10%
6	4.8	0.60	40 ± 10%
12	9.6	1.20	160 ± 10%
24	19.2	2.40	650 ± 10%
48	38.4	4.80	2600 ± 15%
110	88.0	11.0	11000 ± 15%

CHARACTERISTICS

Initial Insulation Resistance	1000MΩ, 500VAC	
Dielectric Strength	Between coil and Contacts	1500VAC 1min.
	Between open contacts	1000VAC 1min.
	Between contact sets	1500VAC 1min.
Operate time (at nomi. Volt.)	25ms	
Release time (at nomi. Volt.)	25ms	
Shock Resistance	Functional	100 m/s ²
	Destructive	1000 m/s ²
Vibration Resistance	1mm, 10 to 55Hz	
Humidity	35% to 95%	
Ambient temperature	-55°C to +70°C	
Termination	PCB & Plug-in	
Unit weight	37g	
Construction	Dust Cover	

Nominal Voltage VAC	Pick-up Voltage VAC	Drop-out Voltage VAC	Coil Resistance Ω
6	4.80	1.80	11.5 ± 10%
12	9.60	3.60	46 ± 10%
24	19.2	7.20	184 ± 10%
48	38.4	14.4	735 ± 10%
120	96.0	36.0	4550 ± 15%
220/240	176.0	66.0	14400 ± 15%

SAFETY APPROVAL RATINGS

UL	2C : 7A 250VAC/30VDC 3C,4C : 5A 250VAC/30VDC
Tüv	2C, 3C: 7A 250VAC/30VDC 4C: 5A 250VAC/30VDC
VDE	2C, 3C: 7A 250VAC/30VDC 4A, 4C: 5A 250VAC/30VDC

COIL

Coil power	DC:0.9W AC:1.2VA
------------	------------------

General Purpose Power Relays JZX-18FH



HONGFA RELAY
ISO9001、ISO/TS16949、ISO14001 CERTIFIED

VERSION: EN02-20040601

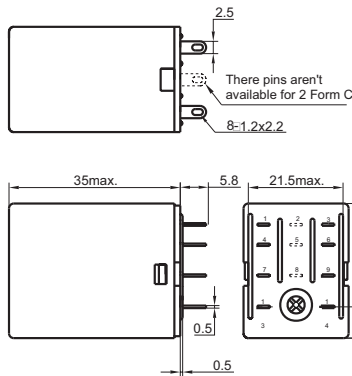
ORDERING INFORMATION

JZX-18FH / A 012 2Z 1 G D J	
Type	
Coil Source	A: AC Nil: DC
Coil voltage	DC: 5 to 110VDC AC: 6 to 240VAC
Contact arrangement	2Z: 2 Form C 3Z: 3 Form C 4Z: 4 Form C 4H: 4 Form A
Mounting Termination	1: Type 1(Socket); 2: Type 2 (PCB);
Contact Material	G: Gold-plated Nil: AgCe
LED	D : With LED Nil: Without LED
Protection diode	Nil: without Protection diode J : with Protection diode 13+ / 14-

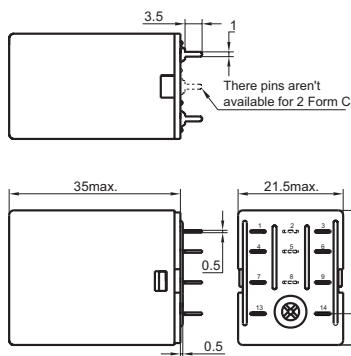
OUTLINE DIMENSIONS, WIRING DIAGRAM AND PC BOARD LAYOUT

Outline Dimensions

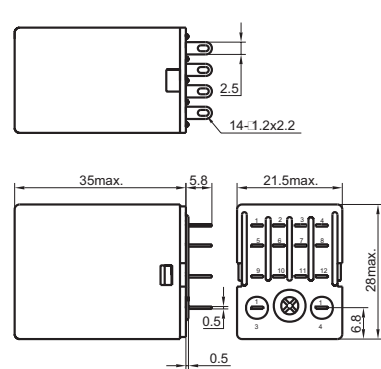
JZX-18FH/□□□□-2Z1□□/3Z1□□



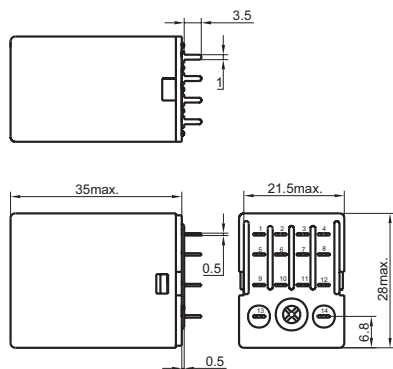
JZX-18FH/□□□□-2Z2□□/3Z2□□



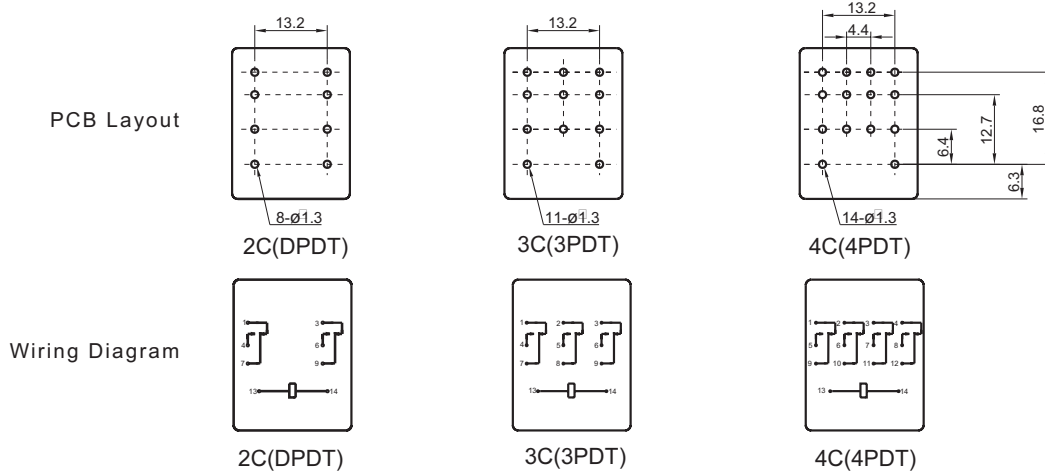
JZX-18FH/□□□□-4Z1□□



JZX-18FH/□□□□-4Z2□□



OUTLINE DIMENSIONS, WIRING DIAGRAM AND PC BOARD LAYOUT



CHARACTERISTICS CURVE

