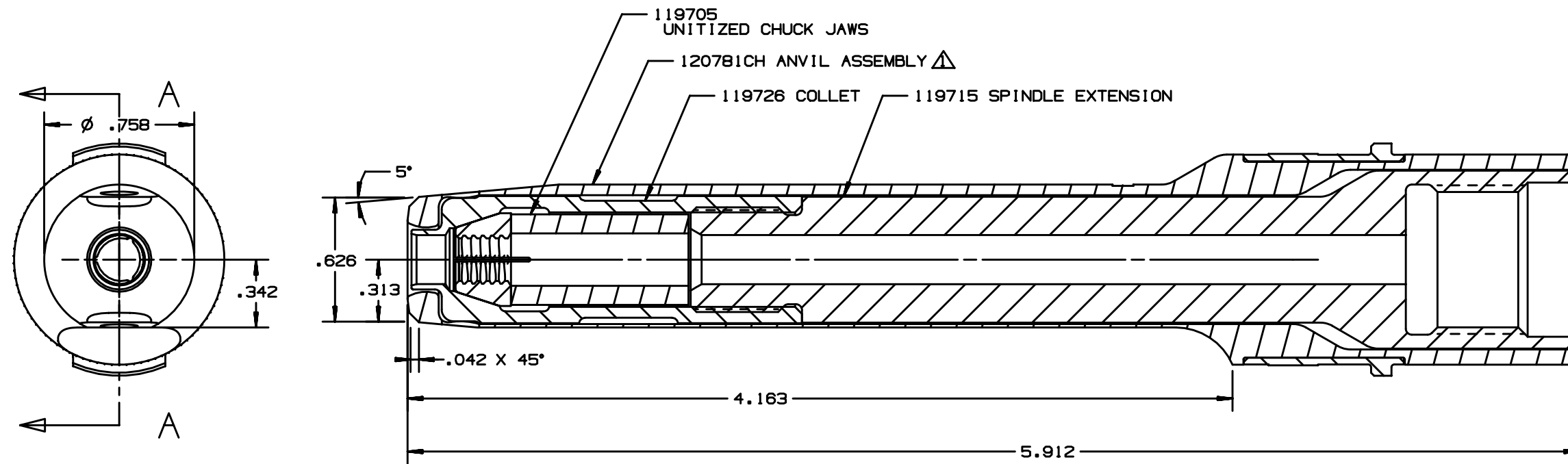


REV	DESCRIPTION	DATE
B	MODELED IN UG	08-02-05



SECTION A-A

NOTES:

△ANVIL ASSEMBLY P/N 120781CH CONSISTS OF:  
 ANVIL P/N 120777CH AND  
 RETAINER P/N 120737.  
 NOT AVAILABLE SEPARATELY

HUCK INTERNATIONAL, INC., I.S.D. 1 CORPORATE DR., P.O. BOX 2270 KINGSTON, NEW YORK 12401			
NON-SELF-RELEASING -08 LGP			
DET: CPL	CHK:	DATE: 02-18-03	SCALE: 2:1
FOC. FAC.	B	99-2517CH	