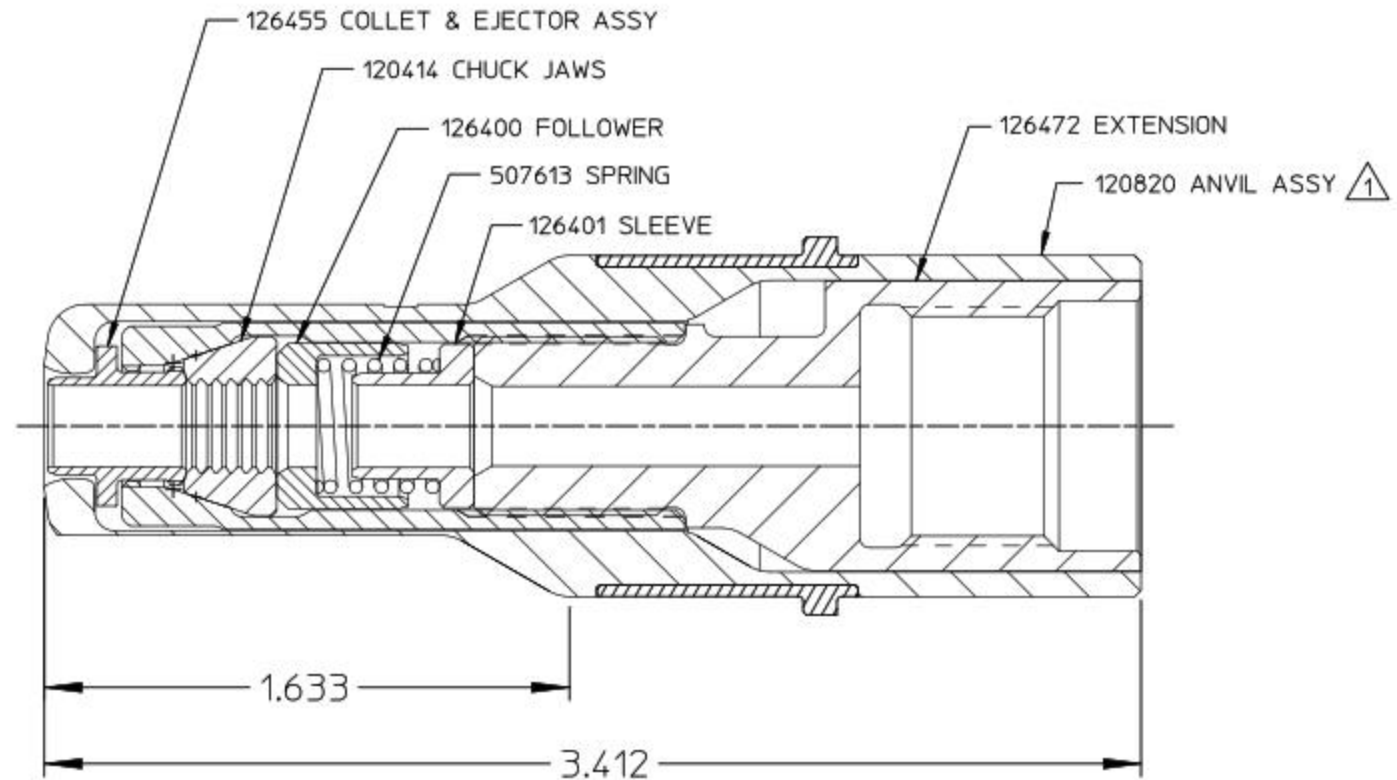
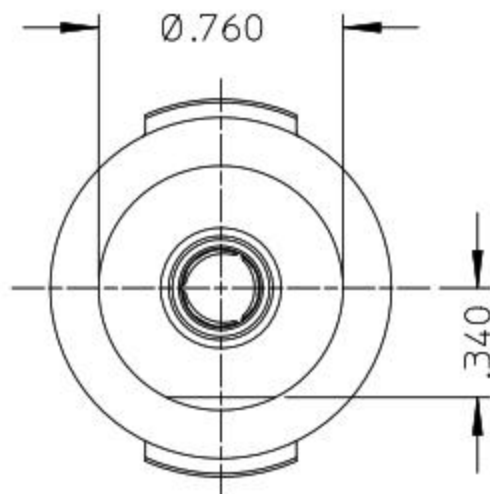


REV	DESCRIPTION	DATE
A	RELEASE	02-15-01

NOTES:

- 1 ANVIL ASSEMBLY 120820 CONSISTS OF:  
 (1) ANVIL 120816 &  
 (1) RETAINER 120737.



IDENTIFICATION PER SPEC 42-311: ★ ETCH			
HUCK INTERNATIONAL, INC., I.S.D. 1 CORPORATE DRIVE, P.O. BOX 2270 KINGSTON, NEW YORK 12401			
NOSE ASSEMBLY -08 LGP 353 STYLE			
DET: MP	CK:	DATE: 02-15-01	SCALE: 2:1
FOC.	B	99-2868	
FAC.			