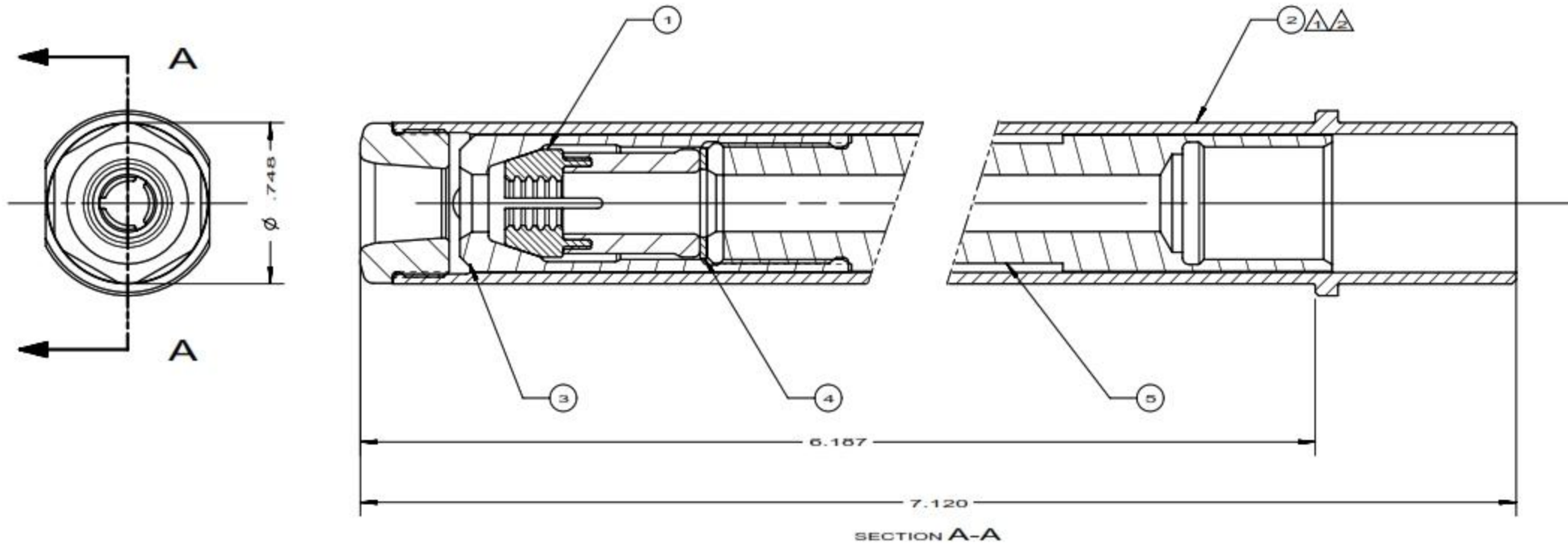


REV	DESCRIPTION	DATE
E	MODELED IN UG	07/27/06

NOTES:

△ ANVIL ASSEMBLY 120649 CONSISTS OF:
 ANVIL HOLDER 120637 AND
 ANVIL INSERT 120625.
 BOTH ARE AVAILABLE SEPARATELY.

△ ANVIL INSERT WRENCH 125400 OPTIONALLY AVAILABLE.



SECTION A-A

125602	1	EXTENSION	5
127776	1	SPACER	4
124604	1	COLLET	3
120649	1	ANVIL ASSEMBLY	2
127330	1	UNITIZED CHUCK JAWS	1
PART NO.	QTY.	DESCRIPTION	ITEM

HUCK INTERNATIONAL, INC., I.S.D.
 1 CORPORATE DR., P.O. BOX 3270
 KINGSTON, NEW YORK 12401

NOSE ASSEMBLY
 -05 MG

DET. JLK DATE: 05/05/05 SCALE: 2:1

FOC. B 99-3205L
 FAC.