

Industrial Panel Meters

Round and Rectangular / Phenolic and Metal

This series was designed to meet industrial requirements and for other applications where rugged metal or phenolic cases with glass fronts provide long service under adverse conditions. Round models ranging in size from 2-1/2" to 4-1/2" are produced in either the $\pm 2\%$ of full scale AC repulsion or DC Moving Coil version. AC ranges are standard up to 50 amperes self contained and 600 AC volts. Ranges down 10 milliamperes AC are also standard.

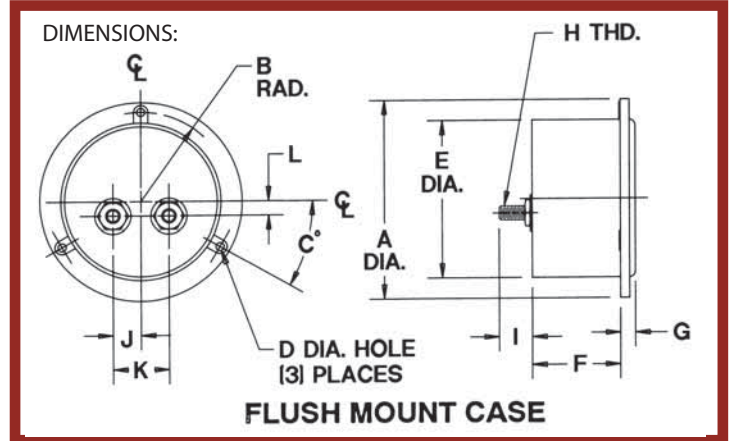
Both round and square models come in DC ranges from 20 microamperes to 50 millivolts to 750 volts DC. High current ammeter ranges with external shunt are available, as are special or non-standard ranges. The industrial meters shown here and on the following pages represent the many case styles and options in this series. For exact specifications and certified dimensions, please contact the factory.

PHENOLIC

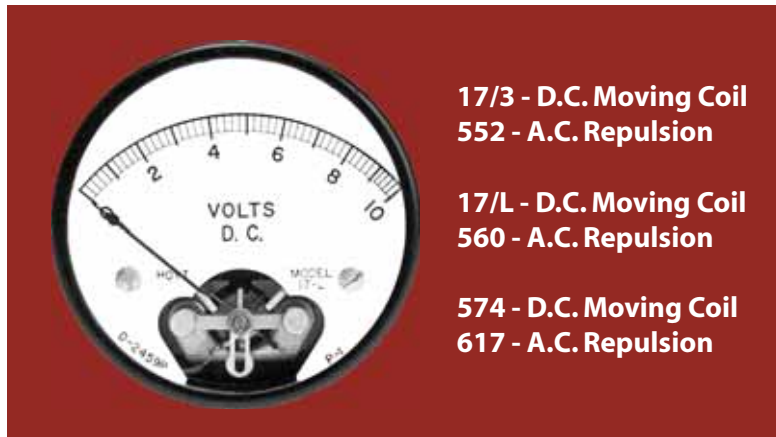
*option code -P



17/3 - D.C. Moving Coil 582 - D.C. Moving Coil
552 - A.C. Repulsion 584 - A.C. Repulsion



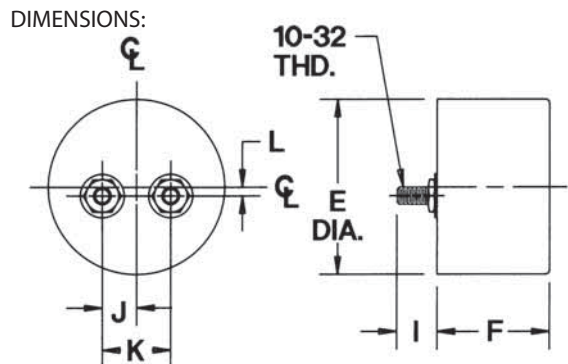
| MODELS | A | B | C | D | E | F | G | H | I | J | K | L |
|----------|------|------|----|------|------|------|------|-------|------|------|------|------|
| 17-3/552 | 2.69 | 1.22 | 30 | 0.12 | 2.20 | 1.38 | 0.20 | 10-32 | 0.50 | 0.48 | 0.97 | 0.00 |
| 582/584 | 3.50 | 1.58 | 30 | 0.14 | 2.75 | 1.39 | 0.26 | 10-32 | 0.50 | 0.48 | 0.97 | 0.25 |
| 17-L/560 | 3.22 | 1.44 | 30 | 0.14 | 2.50 | 1.44 | 0.12 | 10-32 | 0.50 | 0.48 | 0.97 | 0.12 |
| 574/617 | 4.50 | 2.06 | 30 | 0.14 | 3.75 | 1.45 | 0.09 | 10-32 | 0.50 | 0.48 | 0.97 | 0.69 |



17/3 - D.C. Moving Coil
552 - A.C. Repulsion

17/L - D.C. Moving Coil
560 - A.C. Repulsion

574 - D.C. Moving Coil
617 - A.C. Repulsion



| MODELS | E | F | I | J | K | L |
|----------|------|------|------|------|------|------|
| 17-3/552 | 2.05 | 1.43 | 0.50 | 0.48 | 0.97 | 0.00 |
| 17-L/560 | 2.50 | 1.72 | 0.50 | 0.48 | 0.97 | 0.12 |
| 574/617 | 3.75 | 1.58 | 0.50 | 0.48 | 0.97 | 0.69 |

STRAIGHT SIDE METAL CASE

*option code -SS

