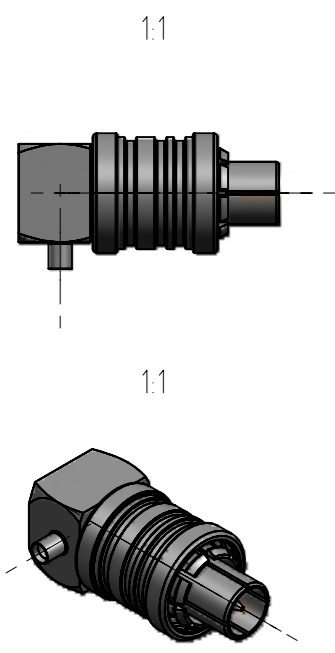
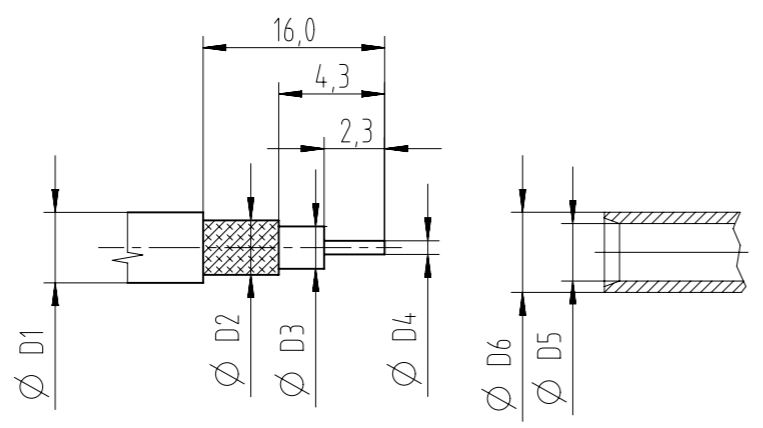


Steckbereich ähnlich /
mating area similar to
IEC 169-16



Kabelzuschnitt
Stripping dimension
Habia Flexiform 405 NM FJ
Habia Multibend 405 FJ



Fuer Kabel /
For cable

Gr.	Type	Typ	ØD1 max.	ØD2 max.	ØD3 max.	ØD4 max.	ØD5	ØD6	ØD7	ØD8	Crimp Aussen/out	Crimp Innen/in
6	Habia Flexif. 405 MN FJ, Habia Multibend 405 FJ, Nissei FCCA(086)-50.		2,60	2,20	1,70	0,56	2,25	3,10			solder	solder

IMS CONNECTOR SYSTEMS

general tolerance
ISO 2768
mH

scale: 5:1
Assembly instruction: M-186
Stripping dimension:

design	nr.	rev.	alteration	date	name
b			Addition cable	30.04.08	RSch
a			Change acc. sim.	25.04.08	RSch

date: 24.04.08
name: Schwaer
Norm: 052015
SN-Kabelwinkelstecker
SN-Cable mount angle plug
4512.SN.1420.06'

Rev.
b