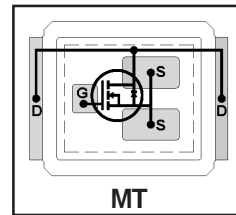


IRF6618PbF
IRF6618TRPbF
DirectFET™ Power MOSFET ②

- RoHs Compliant ①
- Lead-Free (Qualified up to 260°C Reflow)
- Application Specific MOSFETs
- Ideal for CPU Core DC-DC Converters
- Low Conduction Losses
- High Cdv/dt Immunity
- Low Profile (<0.7mm)
- Dual Sided Cooling Compatible ①
- Compatible with existing Surface Mount Techniques ①

| V_{DSS} | V_{GS} | $R_{DS(on)}$ | $R_{DS(on)}$ | | |
|--------------|----------|--------------|--------------|-----------|--------------|
| 30V max | ±20V max | 2.2mΩ @ 10V | 3.4mΩ @ 4.5V | | |
| $Q_{g\ tot}$ | Q_{gd} | Q_{gs2} | Q_{rr} | Q_{oss} | $V_{gs(th)}$ |
| 43nC | 15nC | 4.0nC | 46nC | 28nC | 1.64V |



Applicable DirectFET Package/Layout Pad (see p.7, 8 for details)

| | | | | | | | | | | |
|----|----|----|--|----|----|-----------|--|--|--|--|
| SQ | SX | ST | | MQ | MX | MT | | | | |
|----|----|----|--|----|----|-----------|--|--|--|--|

Description

The IRF6618PbF combines the latest HEXFET® Power MOSFET Silicon technology with the advanced DirectFET™ packaging to achieve the lowest on-state resistance in a package that has the footprint of a SO-8 and only 0.7 mm profile. The DirectFET package is compatible with existing layout geometries used in power applications, PCB assembly equipment and vapor phase, infra-red or convection soldering techniques. Application note AN-1035 is followed regarding the manufacturing methods and processes. The DirectFET package allows dual sided cooling to maximize thermal transfer in power systems, improving previous best thermal resistance by 80%.

The IRF6618PbF balances industry leading on-state resistance while minimizing gate charge along with ultra low package inductance to reduce both conduction and switching losses. The reduced losses make this product ideal for high frequency/high efficiency DC-DC converters that power high current loads such as the latest generation of microprocessors. The IRF6618PbF has been optimized for parameters that are critical in synchronous buck converter's SyncFET sockets.

Absolute Maximum Ratings

| | Parameter | Max. | Units |
|--------------------------|--|------|-------|
| V_{DS} | Drain-to-Source Voltage | 30 | V |
| V_{GS} | Gate-to-Source Voltage | ±20 | |
| $I_D @ T_C = 25^\circ C$ | Continuous Drain Current, $V_{GS} @ 10V$ ③ | 170 | A |
| $I_D @ T_A = 25^\circ C$ | Continuous Drain Current, $V_{GS} @ 10V$ ③ | 30 | |
| $I_D @ T_A = 70^\circ C$ | Continuous Drain Current, $V_{GS} @ 10V$ ④ | 24 | |
| I_{DM} | Pulsed Drain Current ⑤ | 240 | |
| E_{AS} | Single Pulse Avalanche Energy ⑥ | 210 | mJ |
| I_{AR} | Avalanche Current ⑥ | 24 | A |

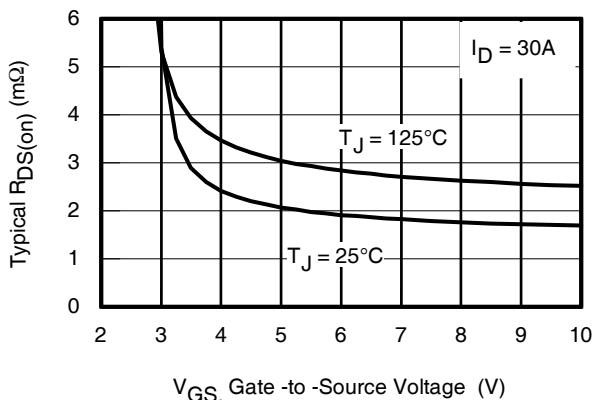


Fig 1. Typical On-Resistance vs. Gate-to-Source Voltage

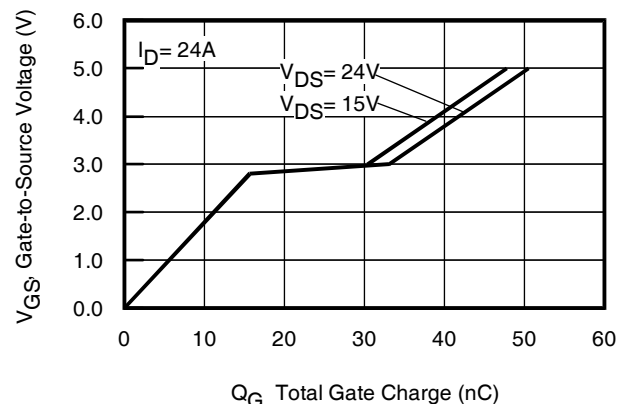


Fig 2. Total Gate Charge vs. Gate-to-Source Voltage

Notes:

- ① Click on this section to link to the appropriate technical paper.
- ② Click on this section to link to the DirectFET Website.
- ③ Surface mounted on 1 in. square Cu board, steady state.
- ④ T_C measured with thermocouple mounted to top (Drain) of part.
- ⑤ Repetitive rating; pulse width limited by max. junction temperature.
- ⑥ Starting $T_J = 25^\circ C$, $L = 0.75mH$, $R_G = 25\Omega$, $I_{AS} = 24A$.

Static @ $T_J = 25^\circ\text{C}$ (unless otherwise specified)

| | Parameter | Min. | Typ. | Max. | Units | Conditions |
|--------------------------------|--|------|------|------|------------|--|
| BV_{DSS} | Drain-to-Source Breakdown Voltage | 30 | — | — | V | $V_{GS} = 0V, I_D = 250\mu A$ |
| $\Delta BV_{DSS}/\Delta T_J$ | Breakdown Voltage Temp. Coefficient | — | 23 | — | mV/°C | Reference to $25^\circ\text{C}, I_D = 1\text{mA}$ |
| $R_{DS(on)}$ | Static Drain-to-Source On-Resistance | — | 1.7 | 2.2 | m Ω | $V_{GS} = 10V, I_D = 30A$ ⑦ |
| | | — | — | 3.4 | | $V_{GS} = 4.5V, I_D = 24A$ ⑦ |
| $V_{GS(th)}$ | Gate Threshold Voltage | 1.35 | 1.64 | 2.35 | V | $V_{DS} = V_{GS}, I_D = 250\mu A$ |
| $\Delta V_{GS(th)}/\Delta T_J$ | Gate Threshold Voltage Coefficient | — | -5.7 | — | mV/°C | |
| I_{DSS} | Drain-to-Source Leakage Current | — | — | 5.0 | μA | $V_{DS} = 30V, V_{GS} = 0V$ |
| | | — | — | 1.0 | | $V_{DS} = 24V, V_{GS} = 0V$ |
| | | — | — | 150 | | $V_{DS} = 24V, V_{GS} = 0V, T_J = 150^\circ\text{C}$ |
| I_{GSS} | Gate-to-Source Forward Leakage | — | — | 100 | nA | $V_{GS} = 20V$ |
| | Gate-to-Source Reverse Leakage | — | — | -100 | | $V_{GS} = -20V$ |
| g_{fs} | Forward Transconductance | 100 | — | — | S | $V_{DS} = 15V, I_D = 24A$ |
| Q_g | Total Gate Charge | — | 43 | 65 | nC | $V_{DS} = 15V$ $V_{GS} = 4.5V$ $I_D = 24A$ See Fig. 14 |
| Q_{gs1} | Pre-V _{th} Gate-to-Source Charge | — | 12 | — | | |
| Q_{gs2} | Post-V _{th} Gate-to-Source Charge | — | 4.0 | — | | |
| Q_{gd} | Gate-to-Drain Charge | — | 15 | 23 | | |
| Q_{godr} | Gate Charge Overdrive | — | 12 | — | | |
| Q_{sw} | Switch Charge ($Q_{gs2} + Q_{gd}$) | — | 19 | — | nC | $V_{DS} = 15V, V_{GS} = 0V$ |
| Q_{oss} | Output Charge | — | 28 | — | | |
| R_G | Gate Resistance | — | 1.0 | 2.2 | Ω | |
| $t_{d(on)}$ | Turn-On Delay Time | — | 21 | — | ns | $V_{DD} = 15V, V_{GS} = 4.5V$ ⑦ $I_D = 24A$ Clamped Inductive Load See Fig. 15 & 16 |
| t_r | Rise Time | — | 71 | — | | |
| $t_{d(off)}$ | Turn-Off Delay Time | — | 27 | — | | |
| t_f | Fall Time | — | 8.1 | — | | |
| C_{iss} | Input Capacitance | — | 5640 | — | pF | $V_{GS} = 0V$ $V_{DS} = 15V$ $f = 1.0\text{MHz}$ |
| C_{oss} | Output Capacitance | — | 1260 | — | | |
| C_{riss} | Reverse Transfer Capacitance | — | 570 | — | | |

Diode Characteristics

| | Parameter | Min. | Typ. | Max. | Units | Conditions |
|----------|---|------|------|------|-------|---|
| I_S | Continuous Source Current (Body Diode) | — | — | 89 | A | MOSFET symbol showing the integral reverse p-n junction diode. |
| I_{SM} | Pulsed Source Current (Body Diode) ⑤ | — | — | 240 | | |
| V_{SD} | Diode Forward Voltage | — | 0.78 | 1.2 | V | $T_J = 25^\circ\text{C}, I_S = 24A, V_{GS} = 0V$ ⑦ |
| t_{rr} | Reverse Recovery Time | — | 43 | 65 | ns | $T_J = 25^\circ\text{C}, I_F = 24A$ |
| Q_{rr} | Reverse Recovery Charge | — | 46 | 69 | nC | $di/dt = 100A/\mu s$ ⑦ See Fig. 17 |

Notes:

- ⑤ Repetitive rating; pulse width limited by max. junction temperature.
- ⑦ Pulse width $\leq 400\mu s$; duty cycle $\leq 2\%$.

Absolute Maximum Ratings

| | Parameter | Max. | Units |
|--------------------------------|---|-------------|-------|
| $P_D @ T_A = 25^\circ\text{C}$ | Power Dissipation ③ | 2.8 | W |
| $P_D @ T_A = 70^\circ\text{C}$ | Power Dissipation ③ | 1.8 | |
| $P_D @ T_C = 25^\circ\text{C}$ | Power Dissipation ④ | 89 | |
| T_P | Peak Soldering Temperature | 270 | °C |
| T_J T_{STG} | Operating Junction and Storage Temperature Range | -40 to +150 | |

Thermal Resistance

| | Parameter | Typ. | Max. | Units |
|--------------------|--------------------------|-------|------|-------|
| $R_{\theta JA}$ | Junction-to-Ambient ③ ① | — | 45 | °C/W |
| $R_{\theta JA}$ | Junction-to-Ambient ③ ② | 12.5 | — | |
| $R_{\theta JA}$ | Junction-to-Ambient ② ③ | 20 | — | |
| $R_{\theta JC}$ | Junction-to-Case ③ ① | — | 1.4 | |
| $R_{\theta J-PCB}$ | Junction-to-PCB Mounted | 1.0 | — | |
| | Linear Derating Factor ③ | 0.022 | | W/°C |

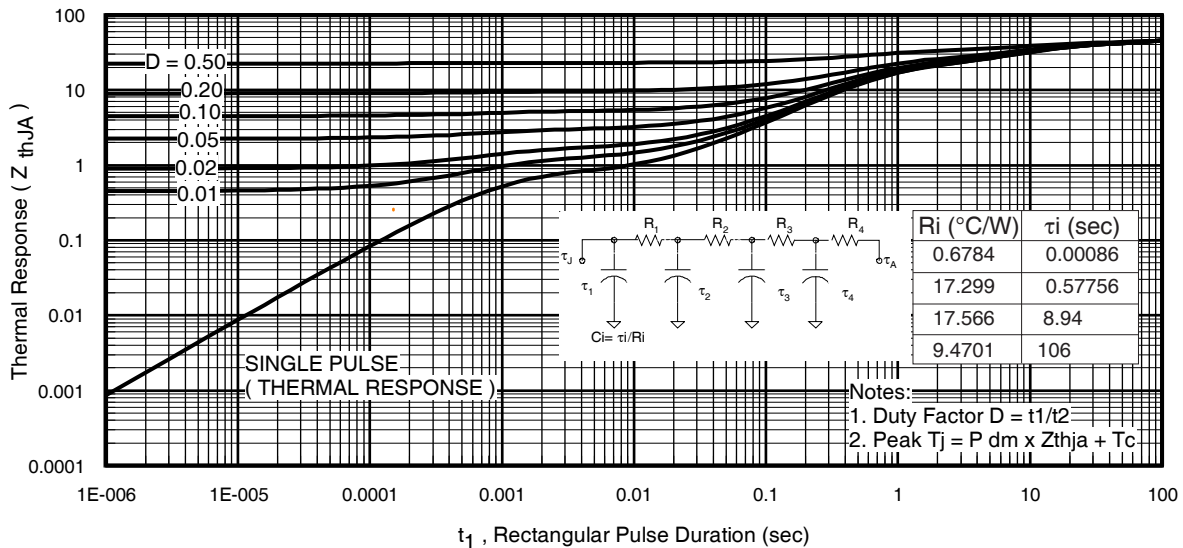


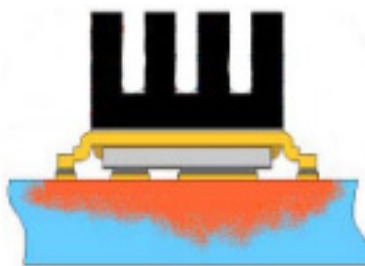
Fig 3. Maximum Effective Transient Thermal Impedance, Junction-to-Ambient

Notes:

- ③ Used double sided cooling , mounting pad.
- ② Mounted on minimum footprint full size board with metalized back and with small clip heatsink.
- ① R_{θ} is measured at T_J of approximately 90°C.



③ Surface mounted on 1 in. square Cu (still air).



② Mounted to a PCB with small clip heatsink (still air)



① Mounted on minimum footprint full size board with metalized back and with small clip heatsink (still air)

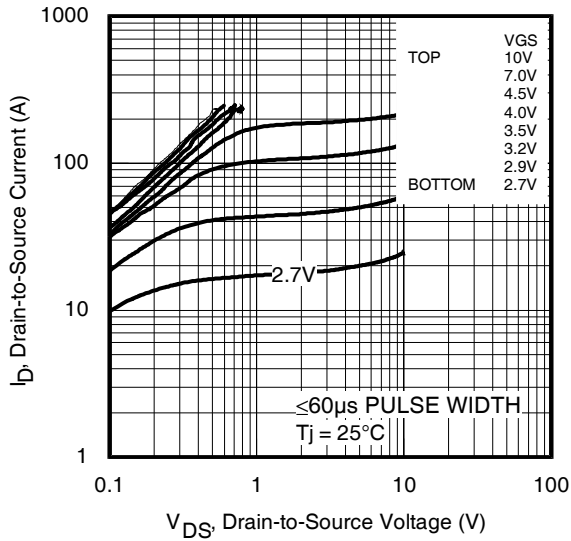


Fig 4. Typical Output Characteristics

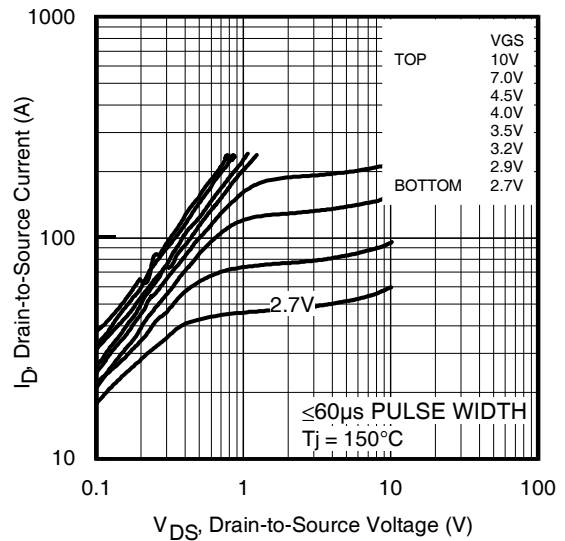


Fig 5. Typical Output Characteristics

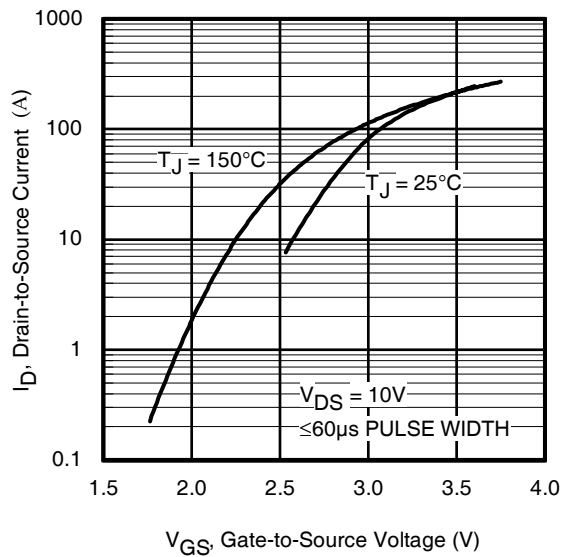


Fig 6. Typical Transfer Characteristics

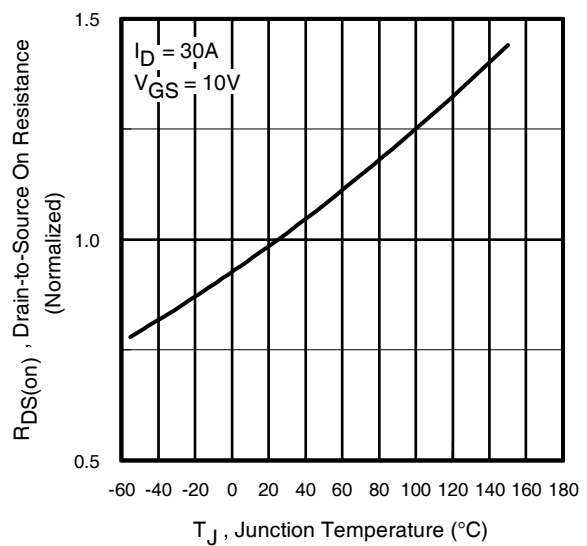


Fig 7. Normalized On-Resistance vs. Temperature

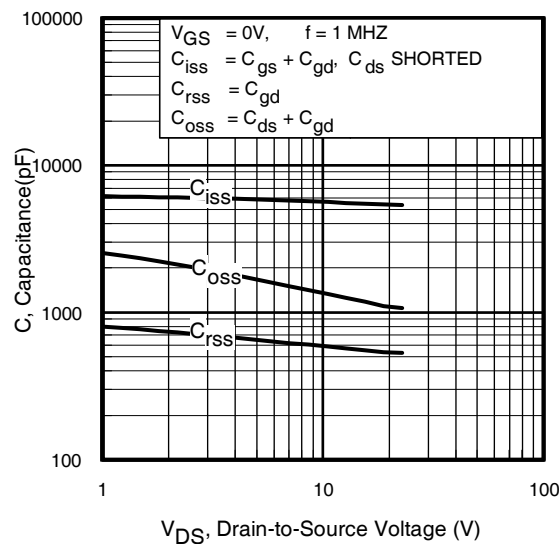


Fig 8. Typical Capacitance vs. Drain-to-Source Voltage

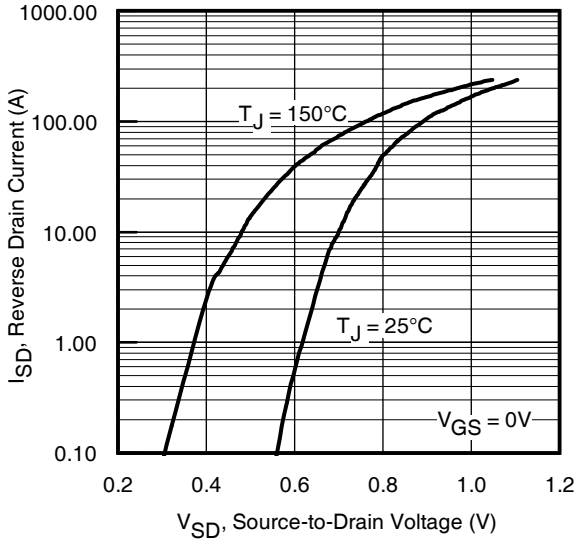


Fig 9. Typical Source-Drain Diode Forward Voltage

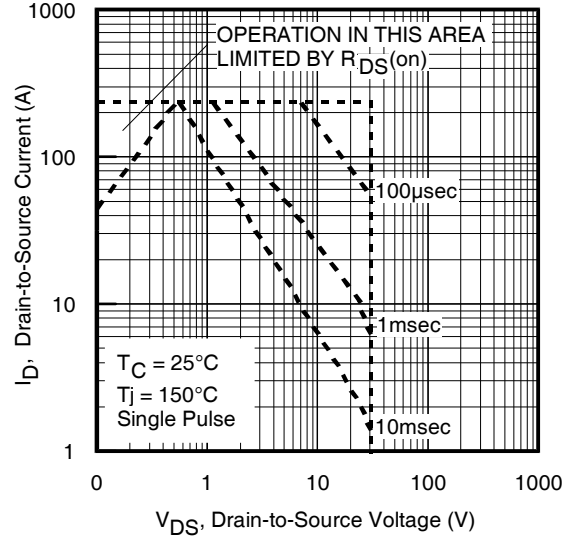


Fig 10. Maximum Safe Operating Area

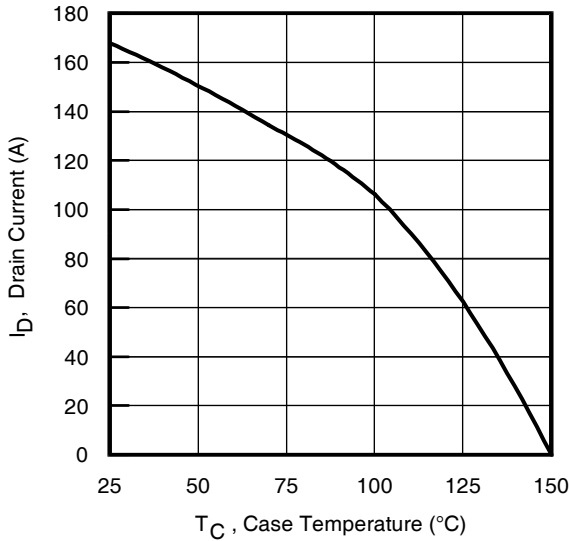


Fig 11. Maximum Drain Current vs. Case Temperature

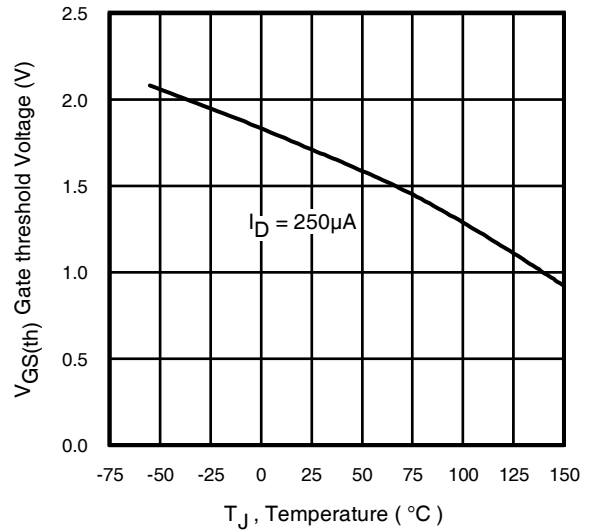


Fig 12. Threshold Voltage vs. Temperature

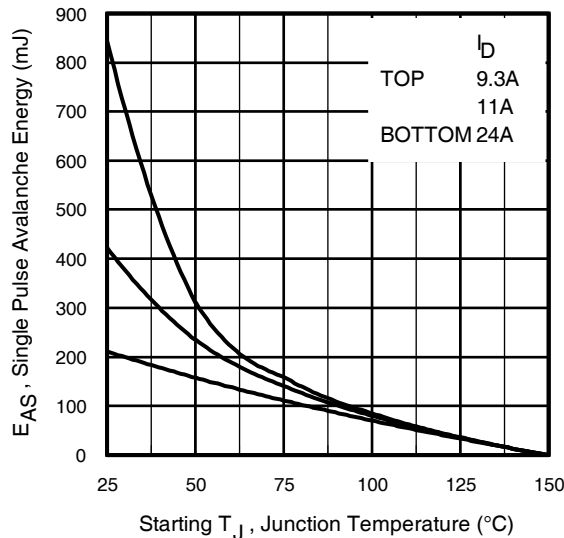


Fig 13. Maximum Avalanche Energy vs. Drain Current

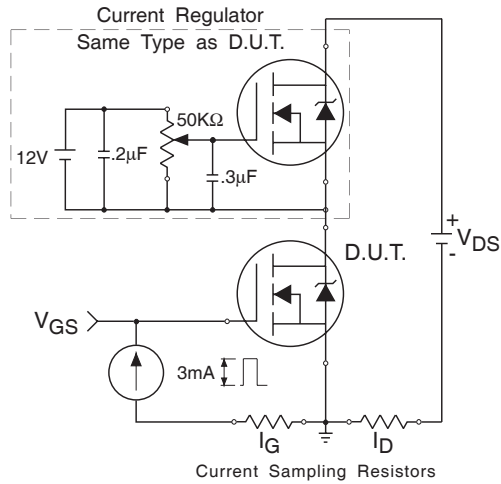


Fig 14a. Gate Charge Test Circuit

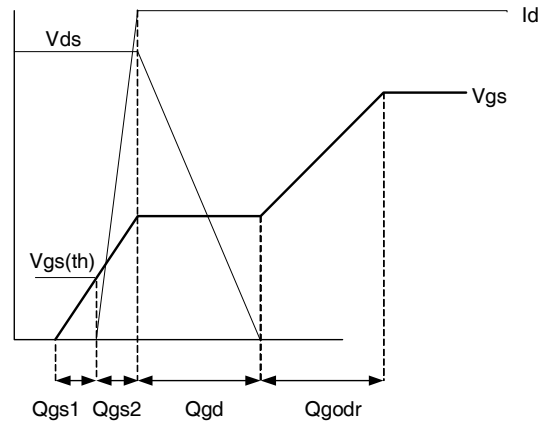


Fig 14b. Gate Charge Waveform

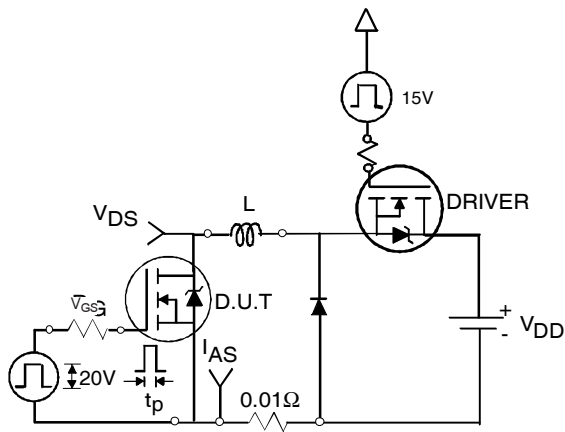


Fig 15a. Unclamped Inductive Test Circuit

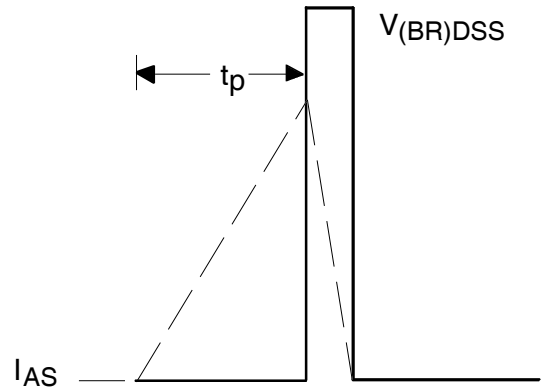


Fig 15b. Unclamped Inductive Waveforms

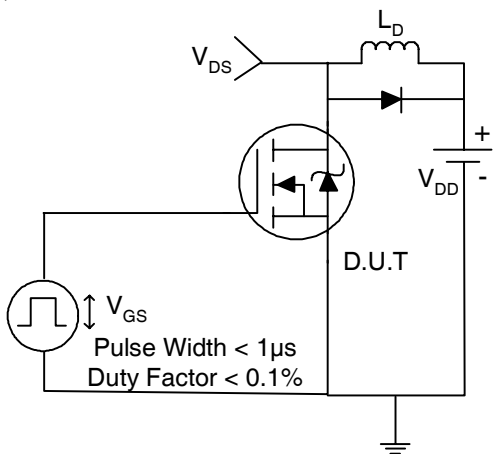


Fig 16a. Switching Time Test Circuit

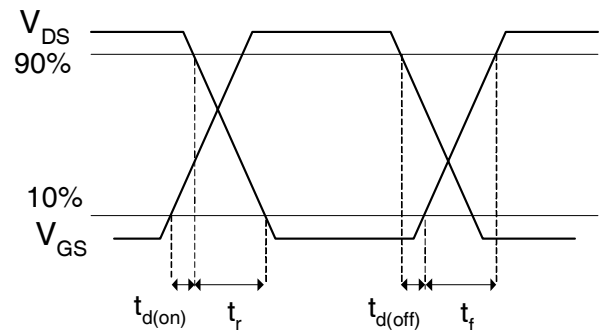
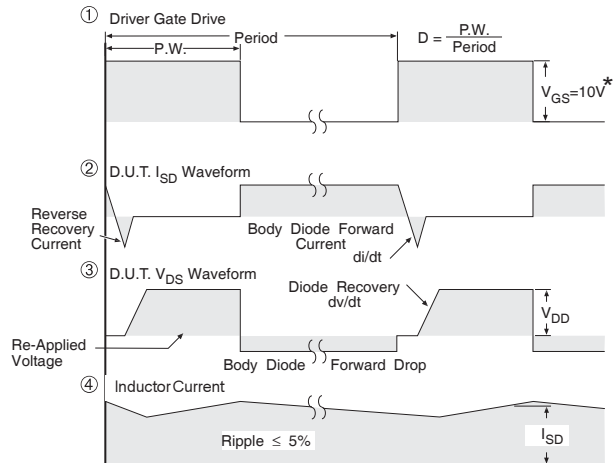
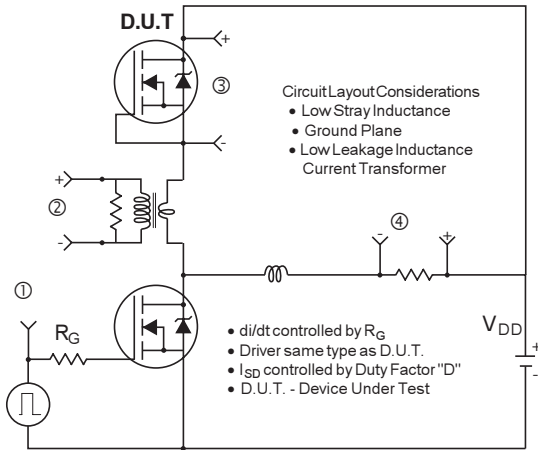


Fig 16b. Switching Time Waveforms

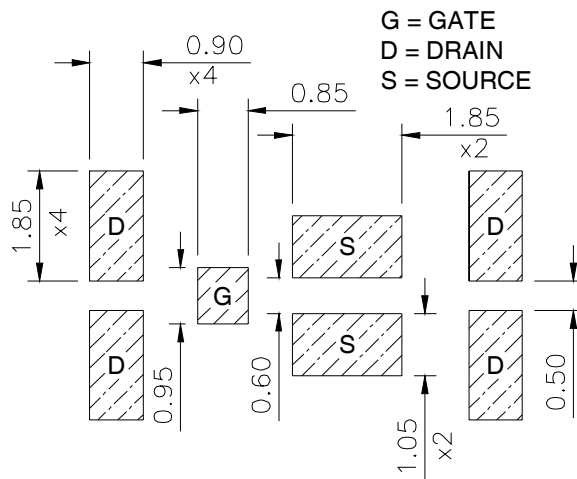
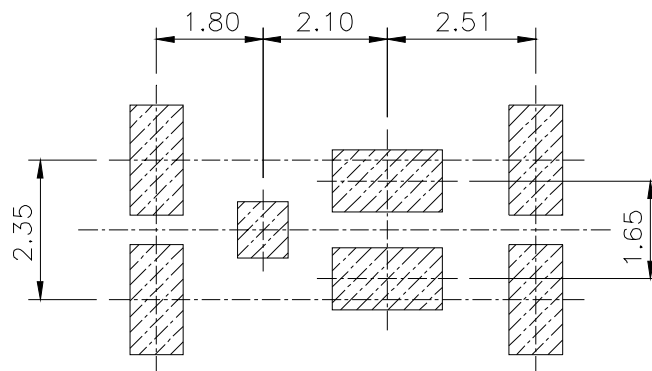


* $V_{GS} = 5V$ for Logic Level Devices

Fig 17. Diode Reverse Recovery Test Circuit for N-Channel HEXFET® Power MOSFETs

DirectFET™ Substrate and PCB Layout, MT Outline ③ (Medium Size Can, T-Designation).

Please see DirectFET application note AN-1035 for all details regarding the assembly of DirectFET. This includes all recommendations for stencil and substrate designs.

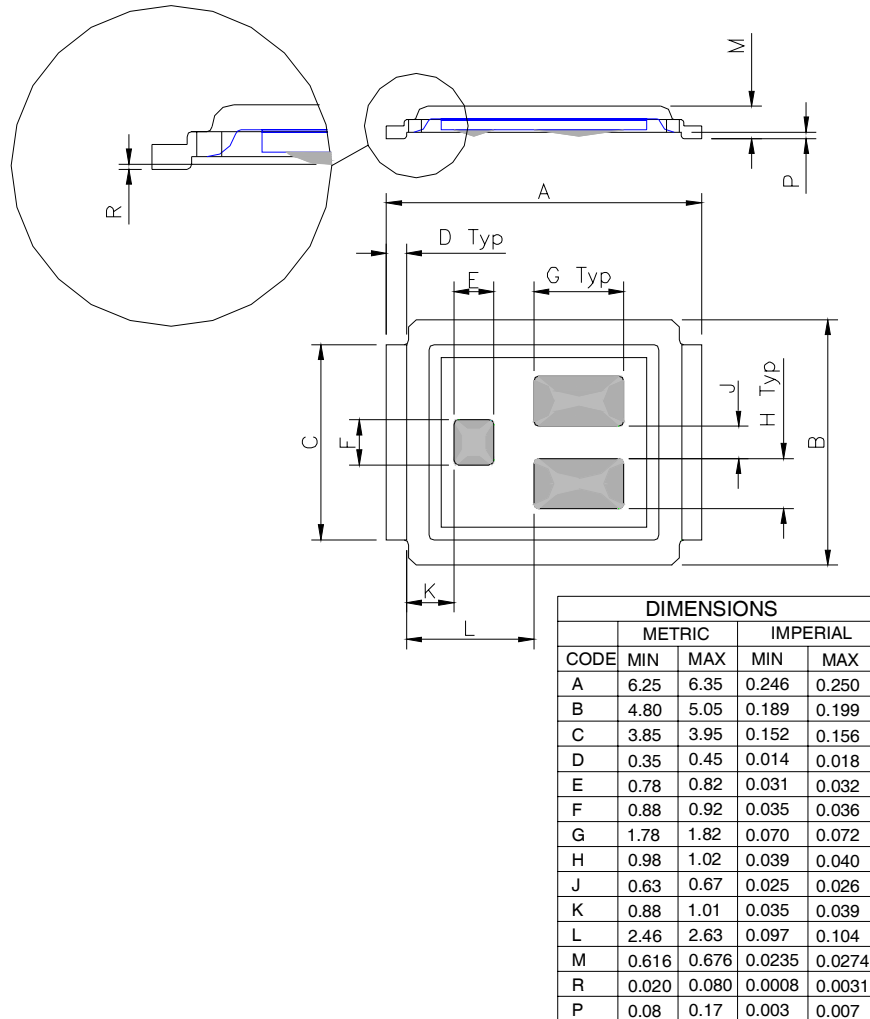


IRF6618PbF

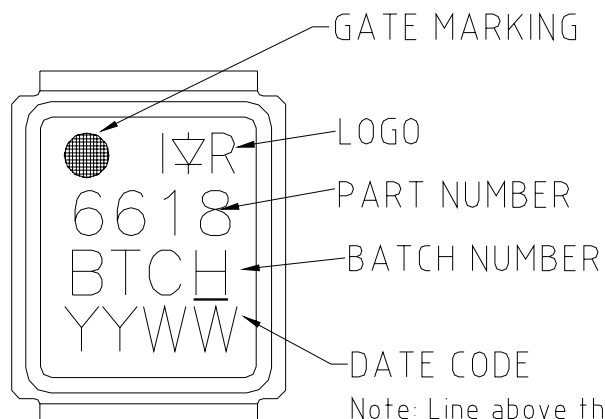
DirectFET™ Outline Dimension, MT Outline (Medium Size Can, T-Designation).

Please see DirectFET application note AN-1035 for all details regarding the assembly of DirectFET.

This includes all recommendations for stencil and substrate designs.

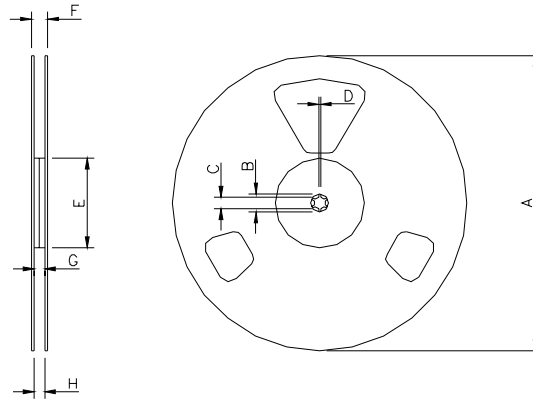


DirectFET™ Part Marking



Note: Line above the last character of the date-code indicates "Lead-Free".

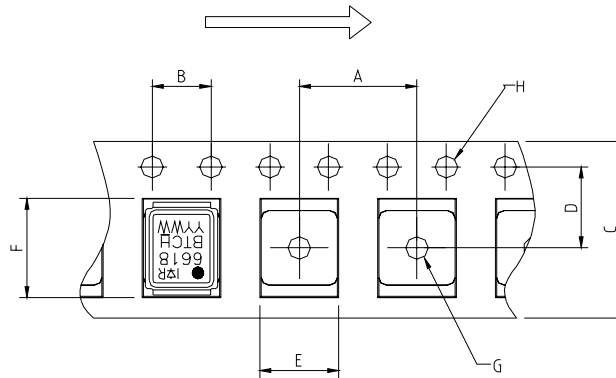
DirectFET™ Tape & Reel Dimension (Showing component orientation)



NOTE: Controlling dimensions in mm
 Std reel quantity is 4800 parts. (ordered as IRF6618TRPBF). For 1000 parts on 7" reel, order IRF6618TR1PBF

| REEL DIMENSIONS | | | | | | | | | |
|-----------------|----------------------------|------|----------|-------|-----------------------|-------|----------|------|--|
| CODE | STANDARD OPTION (QTY 4800) | | | | TR1 OPTION (QTY 1000) | | | | |
| | METRIC | | IMPERIAL | | METRIC | | IMPERIAL | | |
| | MIN | MAX | MIN | MAX | MIN | MAX | MIN | MAX | |
| A | 330.0 | N.C | 12.992 | N.C | 177.77 | N.C | 6.9 | N.C | |
| B | 20.2 | N.C | 0.795 | N.C | 19.06 | N.C | 0.75 | N.C | |
| C | 12.8 | 13.2 | 0.504 | 0.520 | 13.5 | 12.8 | 0.53 | 0.50 | |
| D | 1.5 | N.C | 0.059 | N.C | 1.5 | N.C | 0.059 | N.C | |
| E | 100.0 | N.C | 3.937 | N.C | 58.72 | N.C | 2.31 | N.C | |
| F | N.C | 18.4 | N.C | 0.724 | N.C | 13.50 | N.C | 0.53 | |
| G | 12.4 | 14.4 | 0.488 | 0.567 | 11.9 | 12.01 | 0.47 | N.C | |
| H | 11.9 | 15.4 | 0.469 | 0.606 | 11.9 | 12.01 | 0.47 | N.C | |

LOADED TAPE FEED DIRECTION



| DIMENSIONS | | | | |
|------------|--------|-------|----------|-------|
| CODE | METRIC | | IMPERIAL | |
| | MIN | MAX | MIN | MAX |
| A | 7.90 | 8.10 | 0.311 | 0.319 |
| B | 3.90 | 4.10 | 0.154 | 0.161 |
| C | 11.90 | 12.30 | 0.469 | 0.484 |
| D | 5.45 | 5.55 | 0.215 | 0.219 |
| E | 5.10 | 5.30 | 0.201 | 0.209 |
| F | 6.50 | 6.70 | 0.256 | 0.264 |
| G | 1.50 | N.C | 0.059 | N.C |
| H | 1.50 | 1.60 | 0.059 | 0.063 |

Data and specifications subject to change without notice.
 This product has been designed and qualified for the Consumer market.
 Qualification Standards can be found on IR's Web site.