



General data

Keylock switches for PCB mounting. Matching with the RS 76 full-travel keyswitches and the RF 15 and RF 19 short-travel keyswitches.

Content

Keylock switch IP54, MICROMECC
Keylock switch IP54, MICROMECC

4 - 148
4 - 150

Keylock switch IP54, EUROLOCKS
Keylock switch IP54, EUROLOCKS

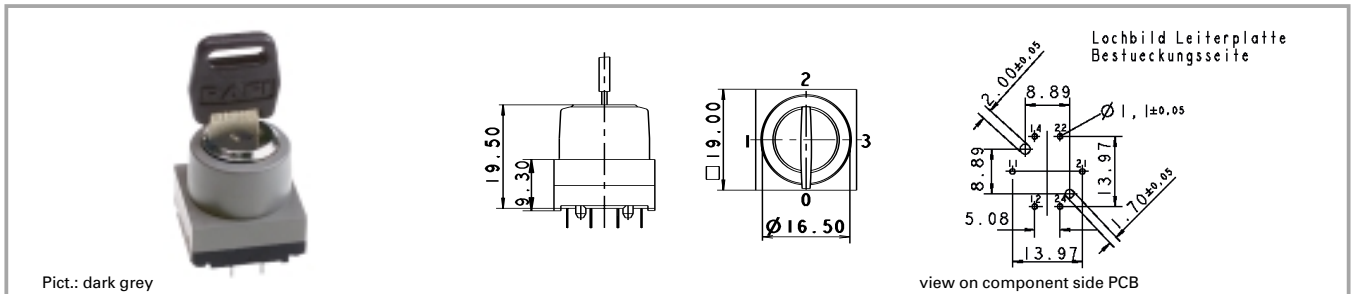
4 - 152
4 - 153

Priority keylock switch IP54
Priority keylock switch IP54

4 - 154
4 - 155

4

Keylock switch IP54, MICROMECC



Pict.: dark grey

view on component side PCB

Technical data

General information

Colour see order block
Form of collar square

Dimensions

Length of collar 19 mm
Width of collar 19 mm
Overall height 19.5 mm

Mechanical design

Mounting soldering
Terminals tin-plated
Contact system / arrangement cross contact self cleaning
Contact function see order block
Contact materials Au alloy
Illuminability no
Lock Micromec
Wafers 5
Lock type 001
Number of locking positions 500
Main key yes
Symmetric key no
Group key yes
Key removal position see order block
General key yes

Mechanical characteristics

Switching torque 0.04 ... 0.10 Nm
Robustness max. 2 Nm
Dielectric strength AC min. 500 V
Rated power max. 1 W

Electrical characteristics

Rated voltage 2 ... 42 V
Rated current max. 100 mA
Contact resistance when new max. 100 mΩ
Contact resistance acc. to life max. 200 mΩ
Insulation resistance $10^9 \Omega$
ESD strength max. 8 KV

Other specifications

Rotating angle see order block
Operating life 10000
Degree of protection from front side IP54
Ambient temp. operating min. -25 °C
Ambient temp. operating max. +70 °C
Storage temperature min. -40 °C
Storage temperature max. +80 °C
Resistance to constant environment according to IEC 600 68-2-3 and 2-30
Resistance at variable environment according to IEC 600 68-2-14 and 2-33
Flammability UL 94 HB

4

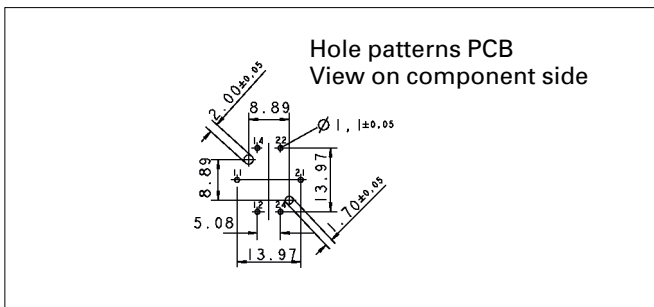
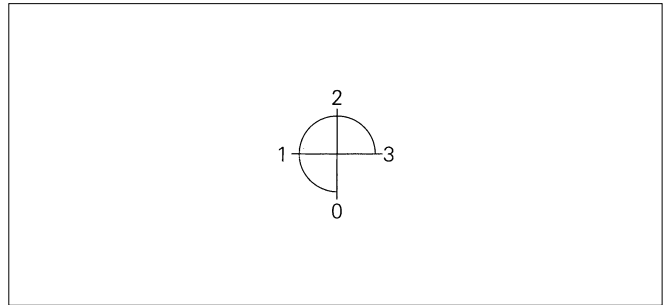
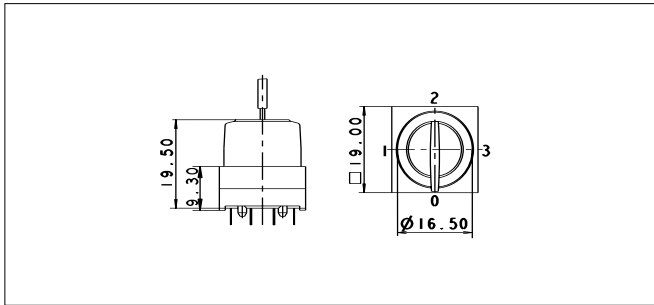
Accessories Keylock switch IP54, MICROMECC

Description	Photo	Order no.	Page
Adapter for 90° mounting		5.00.642.008/0000	5 - 29
O-ring for keylock switch		5.30.120.015/0100	5 - 31

Key Switches

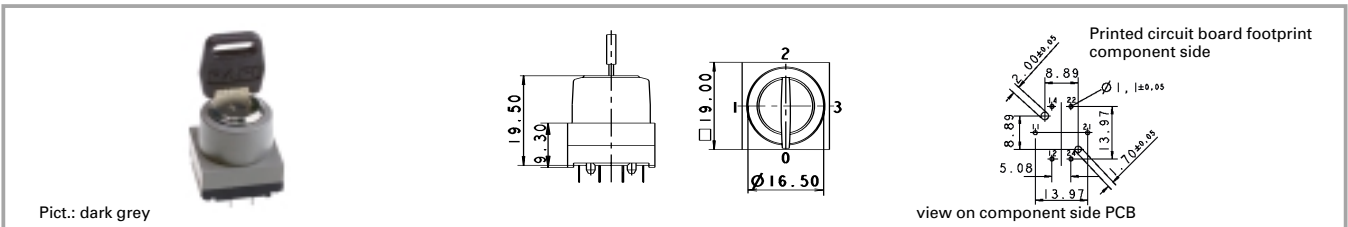
Keylock switches for PCB

Configuration Diagram/Dimensional Drawing



Switching position	Contact function
0	
1	
2	
3	

Keylock switch IP54, MICROMECC



Contact function	Colour	Rotating angle		Key removal position	Order no. complete
momentary	charcoal grey	1 x 40°		0	3.13.026.041/0000
momentary	dark grey	1 x 40°		0	3.13.026.241/0000
momentary	light beige	1 x 40°		0	3.13.026.441/0000
momentary	light grey	1 x 40°		0	3.13.026.541/0000
latching	charcoal grey	1 x 90°		0	3.13.026.001/0000
latching	dark grey	1 x 90°		0	3.13.026.201/0000
latching	light beige	1 x 90°		0	3.13.026.401/0000
latching	light grey	1 x 90°		0	3.13.026.501/0000
latching	charcoal grey	1 x 90°		0+1	3.13.026.006/0000
latching	dark grey	1 x 90°		0+1	3.13.026.206/0000
latching	light beige	1 x 90°		0+1	3.13.026.406/0000
latching	light grey	1 x 90°		0+1	3.13.026.506/0000
latching	charcoal grey	2 x 90°		0	3.13.026.011/0000
latching	dark grey	2 x 90°		0	3.13.026.211/0000
latching	light beige	2 x 90°		0	3.13.026.411/0000
latching	light grey	2 x 90°		0	3.13.026.511/0000
latching	charcoal grey	2 x 90°		0+1+2	3.13.026.016/0000
latching	dark grey	2 x 90°		0+1+2	3.13.026.216/0000
latching	light beige	2 x 90°		0+1+2	3.13.026.416/0000
latching	light grey	2 x 90°		0+1+2	3.13.026.516/0000
latching	charcoal grey	2 x 90°		0	3.13.026.601/0000
latching	dark grey	2 x 90°		0	3.13.026.701/0000
latching	light beige	2 x 90°		0	3.13.026.801/0000

4

Key Switches

Keylock switches for PCB

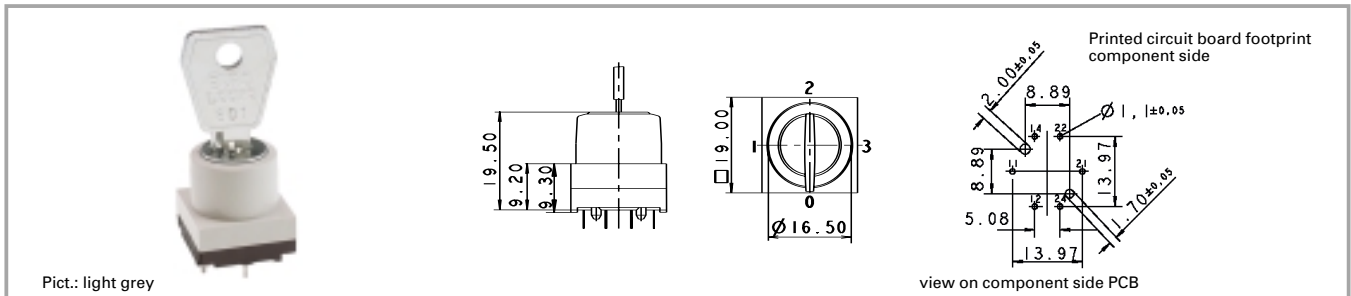
Contact function	Colour	Rotating angle		Key removal position	Order no. complete
latching	light grey	2 x 90°		0	3.13.026.851/0000
latching	charcoal grey	2 x 90°		0+1+3	3.13.026.606/0000
latching	dark grey	2 x 90°		0+1+3	3.13.026.706/0000
latching	light beige	2 x 90°		0+1+3	3.13.026.806/0000
latching	light grey	2 x 90°		0+1+3	3.13.026.856/0000
latching	charcoal grey	3 x 90°		0	3.13.026.021/0000
latching	dark grey	3 x 90°		0	3.13.026.221/0000
latching	light beige	3 x 90°		0	3.13.026.421/0000
latching	light grey	3 x 90°		0	3.13.026.521/0000
latching	charcoal grey	3 x 90°		0+1+2+3	3.13.026.026/0000
latching	dark grey	3 x 90°		0+1+2+3	3.13.026.226/0000
latching	light beige	3 x 90°		0+1+2+3	3.13.026.426/0000
latching	light grey	3 x 90°		0+1+2+3	3.13.026.526/0000
latching	charcoal grey	4 x 90° without stop		0	3.13.026.031/0000
latching	dark grey	4 x 90° without stop		0	3.13.026.231/0000
latching	light beige	4 x 90° without stop		0	3.13.026.431/0000
latching	light grey	4 x 90° without stop		0	3.13.026.531/0000
latching	charcoal grey	4 x 90° without stop		0+1+2+3	3.13.026.036/0000
latching	dark grey	4 x 90° without stop		0+1+2+3	3.13.026.236/0000
latching	light beige	4 x 90° without stop		0+1+2+3	3.13.026.436/0000
latching	light grey	4 x 90° without stop		0+1+2+3	3.13.026.536/0000

Technical data see page 4 - 148

2 keys included.

Other lock variants available on request.

Keylock switch IP54, EUROLOCKS



Pict.: light grey

view on component side PCB

Technical data

General information

Colour see order block
Form of collar square

Dimensions

Length of collar 19 mm
Width of collar 19 mm
Overall height 19.5 mm

Mechanical design

Mounting soldering
Terminals tin-plated
Contact system / arrangement cross contact self cleaning
Contact function latching
Contact materials Au alloy
Illuminability no
Lock Eurolocks
Wafers 5
Lock type 801
Number of locking positions 50
Main key no
Symmetric key yes
Group key no
Key removal position see order block
General key no

Mechanical characteristics

Switching torque 0.04 ... 0.10 Nm
Robustness max. 2 Nm
Dielectric strength AC min. 500 V
Rated power max. 1 W

Electrical characteristics

Rated voltage 2 ... 42 V
Rated current max. 100 mA
Contact resistance when new max. 100 mΩ
Contact resistance acc. to life max. 200 mΩ
Insulation resistance $10^9 \Omega$
ESD strength max. 8 KV

Other specifications

Rotating angle see order block
Operating life 10000
Degree of protection from front side IP54
Ambient temp. operating min. -25 °C
Ambient temp. operating max. +70 °C
Storage temperature min. -40 °C
Storage temperature max. +80 °C
Resistance to constant environment according to IEC 600 68-2-3 and 2-30
Resistance at variable environment according to IEC 600 68-2-14 and 2-33
Flammability UL 94 HB

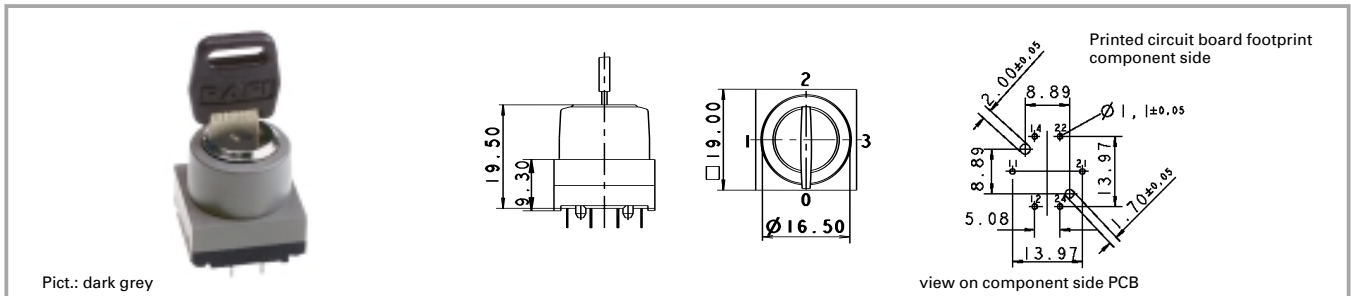
4

Accessories Keylock switch IP54, EUROLOCKS

Description	Photo	Order no.	Page
Adapter for 90° mounting		5.00.642.008/0000	5 - 29
O-ring for keylock switch		5.30.120.015/0100	5 - 31
Spare key		5.58.006.801/0000	

Key Switches

Priority keylock switch IP54



General data

Either 2 or 3 different keys are required, depending on the angle between positions. Key 1 can switch to position 1, key 2 can switch to position 1 and 2, etc.

Technical data

General information

Colour see order block
Form of collar square

Dimensions

Length of collar 19 mm
Width of collar 19 mm
Overall height 19.5 mm

Mechanical design

Mounting soldering
Terminals tin-plated
Contact system / arrangement cross contact self cleaning
Contact function see order block
Contact materials Au alloy
Illuminability no
Lock Micromec
Wafers 5
Lock type 001
Number of locking positions 500
Main key yes
Symmetric key no
Group key yes
Key removal position see order block
General key yes

Mechanical characteristics

Switching torque 0.04 ... 0.10 Nm
Robustness max. 2 Nm
Dielectric strength AC min. 500 V
Rated power max. 1 W

Electrical characteristics

Rated voltage 2 ... 42 V
Rated current max. 100 mA
Contact resistance when new max. 100 mΩ
Contact resistance acc. to life max. 200 mΩ
Insulation resistance 10⁹ Ω
ESD strength max. 8 KV

Other specifications

Rotating angle see order block
Operating life 10000
Degree of protection from front side IP54
Ambient temp. operating min. -25 °C
Ambient temp. operating max. +70 °C
Storage temperature min. -40 °C
Storage temperature max. +80 °C
Resistance to constant environment according to IEC 600 68-2-3 and 2-30
Resistance at variable environment according to IEC 600 68-2-14 and 2-33
Flammability UL 94 HB

4

Accessories Priority keylock switch IP54

Description	Photo	Order no.	Page
Adapter for 90° mounting		5.00.642.008/0000	5 - 29
O-ring for keylock switch		5.30.120.015/0100	5 - 31
Set of keys for 2 x 90° type		5.58.099.012/0000	

Key Switches

