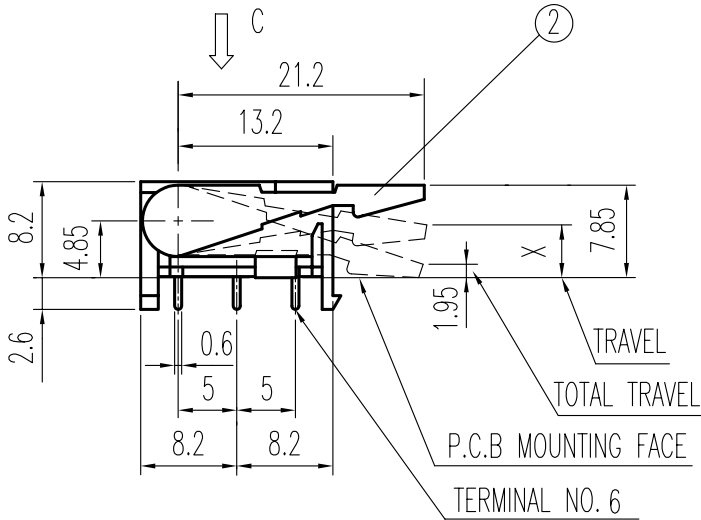
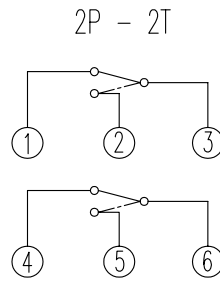
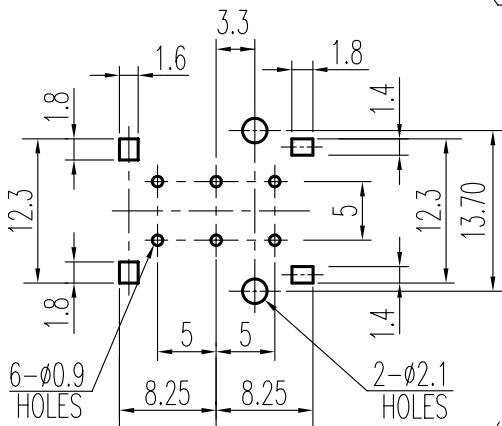
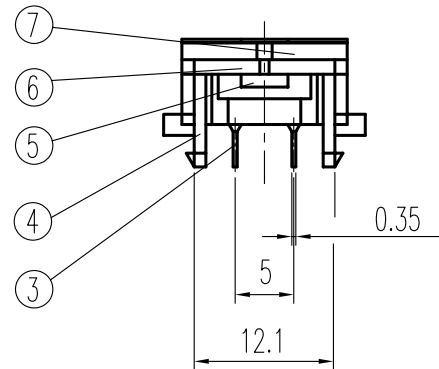


TRAVEL POSITION (X) ㉔	
① ③	ON OFF
② ③	OFF ON
④ ⑥	ON OFF
⑤ ⑥	OFF ON

6.85 Max 2.65 Min (m/m)



序 NO.	产品型号	ITEM NO	操作力 Operating Force
1	HS-2206-A1 NS		50±20 gf
2	HS-2206-A1 NS(70)		70±20 gf ㉔



规格 Specifications

额定负荷 Ratings	DC 30_V 0.2_A
初期接触阻抗 Initial Contact Resistance	50_mΩ Max.
绝缘阻抗 Insulation Resistance	DC500V_60_Sec.100_MΩ Min.
抗电强度 Dielectric	AC 500_V(50~60HZ)_60_Sec.
负荷寿命 Operating Life With Load	100,000_次 Cycles

(VIEWED FROM DIRECTION C)
示意图 SCHEMATIC

安装孔 PIERCING PLAN

序 NO.	零件 PART	材料 MATERIAL	数量 QTY	备注 REMARKS	内容 DESCRIPTION	签名 SIGN.	日期 DATE
7	滑块 CLIP SUPPORT	PA	1	BLACK			
6	弹簧 SPRING	SUS	1	NATURAL			
5	接触片 CONTACT CLIP	C5210R	2	Ag CLAD			
4	外壳 CASE	PA	1	BLACK			
3	端子 TERMINAL	C2680R	6	Ag PLATED			
2	杠杆 LEVER	P O M	1	WHITE			
1	盖片 COVER	P O M	1	BLUE			
DWG NO. ITEM2533							

TOLERANCES UNLESS OTHERWISE SPEC.		TITLE	HOOK SWITCH		ITEM NO	见上表	
UNDER 1	± 0.10	DRAWN	杨光华	06-08-10	VERSION	A04	PAGE 1 OF 1
1 - 10	± 0.30	REVIEWED	张念明	06-08-10	SCALE	NO SCALE	UNIT mm
OVER 10	± 0.50	APPROVED	刘瑞富	06-08-11	PROJECTION		

COMAX ELECTRONICS (HUIZHOU) CO.,LTD.

Mouser Electronics

Authorized Distributor

Click to View Pricing, Inventory, Delivery & Lifecycle Information:

[C&K Components:](#)

[HS-2206-A1 NS](#)