

客户 CUSTOMER	A096	型号 MODEL NO.	GQ65120250-E1(5.5*2.5*9.5)	
承制 MANUFACTURE			版本 EDITION	A0

Switching Power Supply Specifications

Table of contents

1. 描述: SCOPE	4
2. 输入特性: INPUT CHARACTERISTICS	4
3. 输出特性: OUTPUT CHARACTERISTICS	4-5
4. 保护功能: PROTECTION REQUIREMENT	5-6
5. 环境条件: ENVIRONMENTAL REQUIREMET	6-7
6. 安全及EMC要求: SAFETY AND EMC REQUIREMEN	7
7. 电路说明: CIRCUIT DESCRIPTION	7
8. 结构参数: MECHANICAL REQUIREMENT	8
9. 铭牌: NAME LATE	9
10. 包装方式: PACKGE	10
11. 测试报告: ELECTRICAL TEST REPORT	11

客户 CUSTOMER	A096	型号 MODEL NO.	GQ65120250-E1(5.5*2.5*9.5)	
承制 MANUFACTURER		版本 EDITION	A0	

1. 描述 (SCOPE) :

此文件描述该型号开关电源适配器的电性、机械、环境、ROHS、安规等规格。

This document describes the switching Adapter's electrical, mechanical, environmental, RoHS, safe certificate, and so on.

2. 输入特性 (INPUT CHARACTERISTICS) :

2.1 输入电压与频率 (Input Voltage and Frequency) :

额定电压 Rated Voltage	电压调整范围 Variation Range	额定频率 Rated Frequency	频率调整范围 Variation Frequency
100-240Vac	90-264Vac	50/60Hz	47-63Hz

2.2 输入电流 (Input Current) :

当输入额定电压, 带满载时, 最大输入交流电流2.0A。

AC current 2.0A max At input rated voltage with output full load.

2.3 浪涌电流 (Inrush Current) :

当输出为额定负载, 环境温度为25℃, 输入240Vac冷态起机时的最大浪涌电流为50A。

In rated load, 25℃ ambient temperature, Cold-state starting at 240Vac input, Inrush Current 50 Amps Max.

3. 输出特性 (OUTPUT CHARACTERISTICS) :

3.1 输出功率 (Power Output) :

电压 Voltage	最小负载 Min. Load	最大负载 Max. Load	输出功率 Output Power
12Vdc	0A	2.5A	30W

3.2 负载特性/调整率 (Load character / Line Regulation) :

负载 (Load)	最小负载 (Min. Load)	最大负载 (Max. Load)
电流 (Current)	0A	2.5A
电压 (Voltage)	12Vdc ± 5%	12Vdc ± 5%

3.3 空载待机功耗 (No load Standby Power) :

0.3W Max

客户 CUSTOMER	A096	型号 MODEL NO.	GQ65120250-E1(5.5*2.5*9.5)	
承制 MANUFACTURER			版本 EDITION	A0

3.4 纹波和噪音 (Ripple And Noise) :

测试条件：额定电压及额定电流条件下，使用示波器带宽为20MHZ连接到开关电源的输出端，同时输出端并联一个47UF的电解电容和一个0.1UF的瓷片电容。

Under Rated voltage and nominal load, The ripple and noise are as follows when measure with Max. Bandwidth of 20MHz and Parallel 47uF/0.1uF, crossed connected at testing point.

电压 (Voltage)	最大波纹最大噪音 (Ripple And Noise (Max.))
12Vdc	300mVp-p

3.5 启动延迟时间 (Turn On Delay Time) :

当输入额定电压和输出最大负载时，最大启动时间为3S。

Turn on time 3 second Max. At Rated Voltage input and output Max. Load.

3.6 上升时间 (Rise Time) :

当输入额定电压和输出最大负载时最大时间为100mS。

100mS Max. At Rated Voltage input and output Max. Load.

3.7 保持时间 (Hold Up Time) :

当输入额定电压和输出最大负载时，最小保持时间为10mS。

10mS Min. At Rated Voltage input and output Max. Load.

3.8 效率 (Efficiency) :

当输入115Vac时，4个负载（25%、50%、75%、100%）的平均效率最小为83.50%，符合能源之星V等级。

When input voltage 115VAC, the average efficiency of (25%. 50%. 75%. 100%) current at load shall be 83.50% Min. Meet CEC level V.

3.9 过冲 (Overshoot) :

在电源开启或关闭的时候，最大15%。

15% Max. When power supply at turn on or turn off.

4. 保护功能 (PROTECTION REQUIREMENT) :

4.1 短路电路保护 (Short Circuit Protection) :

该电源供给器在短路解除时，能正常工作恢复。

The power supply will be auto recovered when short circuit faults remove.

客户 CUSTOMER	A096	型号 MODEL NO.	GQ65120250-E1(5.5*2.5*9.5)	
承制 MANUFACTURER			版本 EDITION	A0

4.2 过流保护 (Over current Protection) :

在115/230Vac输入时, 过流保护点在130~300%之间。

In the input voltage 115/230Vac, over-current protection points between 130% and 300%.

5. 环境要求 (ENVIRONMENTAL REQUIREMENT) :

5.1 工作温度 (Operating Temperature) :

0°C to 35°C, Full load, Normal operation.

5.2 储藏温度 (Storage Temperature) :

-10°C to 70°C带外壳 (With Case)

5.3 相对湿度 (Relative Humidity) :

5% (0°C) ~ 90% (35°C) RH, 72Hrs, Full load, Normal operating.

5.4 振动 (Vibration) :

5.4.1 测试标准: 国际电工电子委员会

Operating: IEC 721-3-3 3M3

5-9Hz, A=1.5mm

加速度 (9~200Hz, Acceleration 5m/s²)

5.4.2 运输 (Transportation) :

IEC 721-3-2 2M2

5-9Hz, A=3.5mm

9~200Hz, 加速度 Acceleration=5m/S²

200~500Hz, 加速度 Acceleration=15m/S²

5.4.3 轴向振动 (Axes, 10 cycles per axis).

在测试过程中不能出现永久性的损坏.

(No permanent damage may occur during testing.)

在电源开启和关闭后, 样机能够恢复到最初条件.

The product has to restore to its original situation after power off/on.)

5.5 跌落试验 (Dropping) (Packed) :

高度1m (Height: 1m) 六个面各跌落一次 (Each side dropping once, total 6 side.)

客户 CUSTOMER	A096	型号 MODEL NO.	GQ65120250-E1(5.5*2.5*9.5)	
承制 MANUFACTURER			版本 EDITION	A0

5.6可靠性 (RELIABILITY) :

根据“MIL-STD-HDBK-217”标准, 环境温度为25℃, 满载输出时产品寿命超过20,000小时.

According to the standard of MIL-STD-HDBK-217, when ambient temperature at 25℃, in full load, the life will more than 20,000 hours.

6. 安全及EMC要求 (SAFETY AND EMC REQUIREMEN)

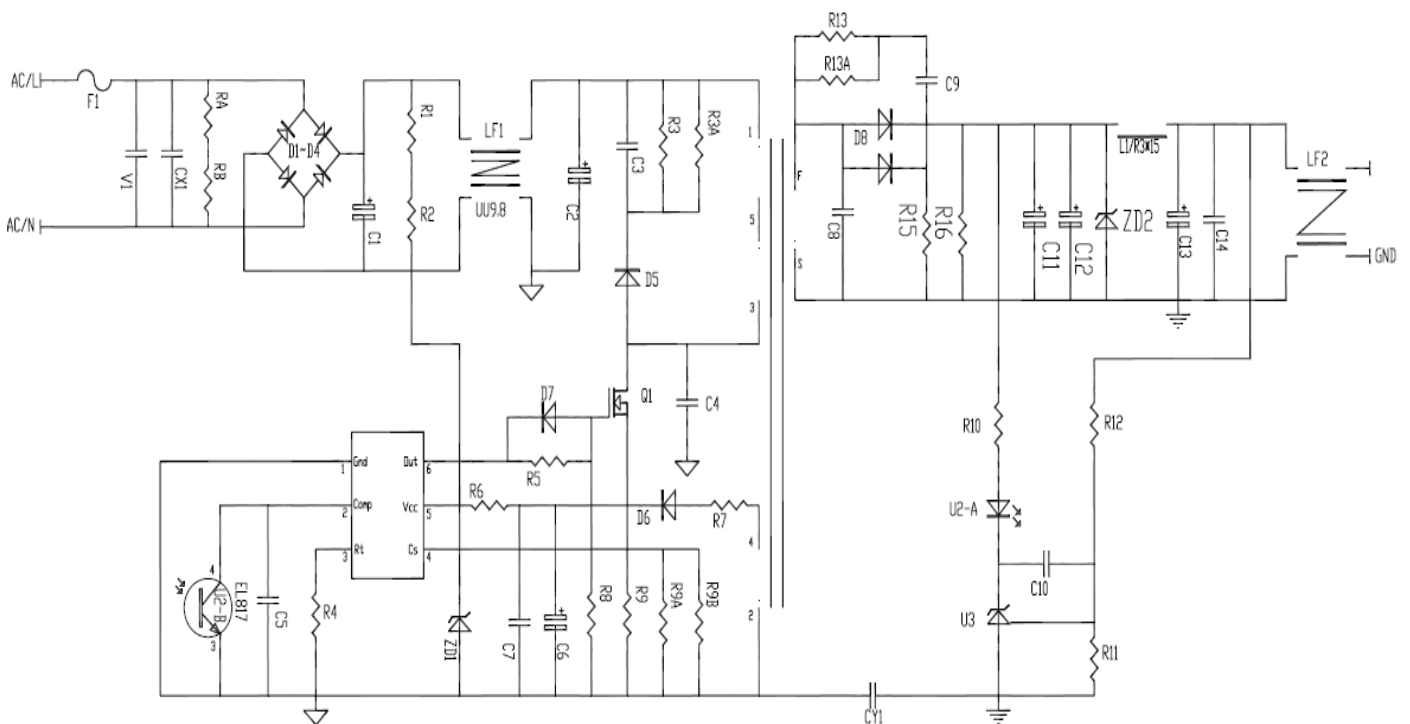
6.1安全(Safety):

认证 (Certified)	标准 (Standard)
FCC	Part15 Subpart B
UL/CUL	UL60950

6.2耐压(DIELECTRIC STRENGTH) (Hi-Pot):

初级对次级 (Primary to secondary), 1500Vac/10mA/60s.

7. 电路说明 (CIRCUIT DESCRIPTION) :

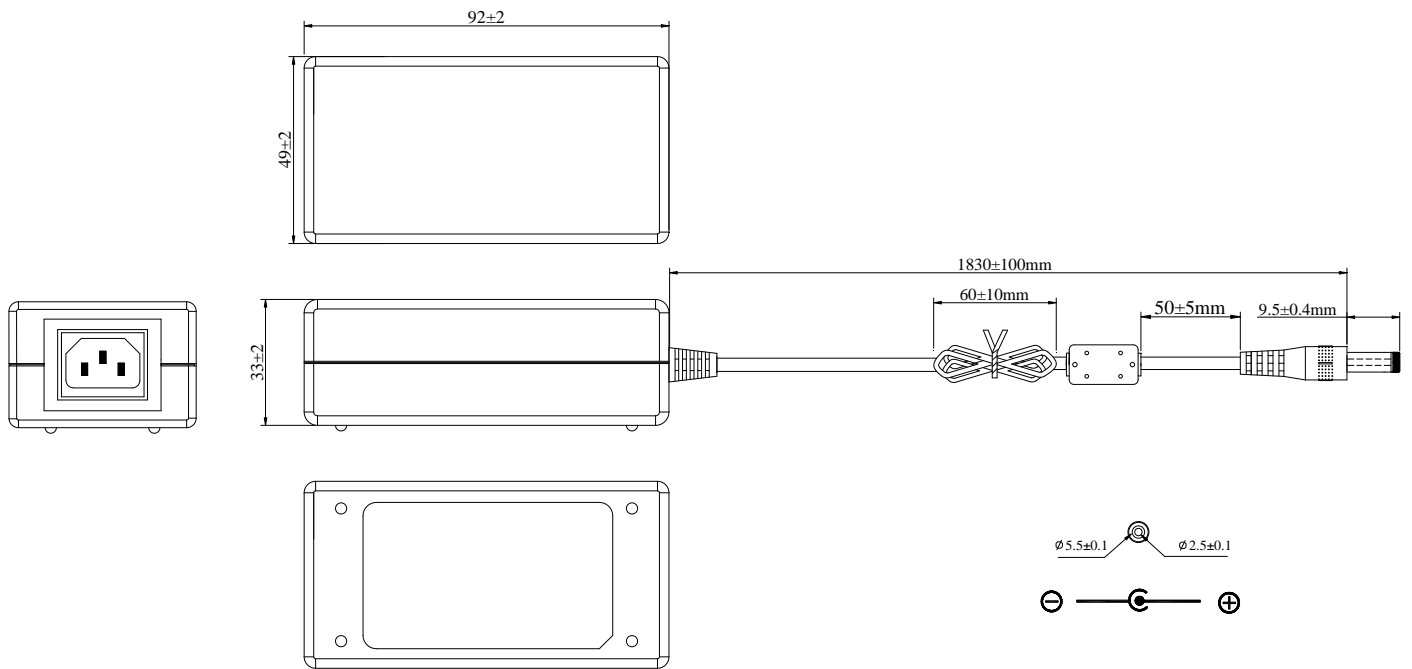


客户 CUSTOMER	A096	型号 MODEL NO.	GQ65120250-E1(5.5*2.5*9.5)	
承制 MANUFACTURE			版本 EDITION	A0

8. 结构参数 (MECHANICAL REQUIREMENT) :

8.1外壳(Enclosure): BLACK(LEAD FREE) 外壳: 黑色

外壳尺寸(The power supply size): L:92*W:49*H:33mm

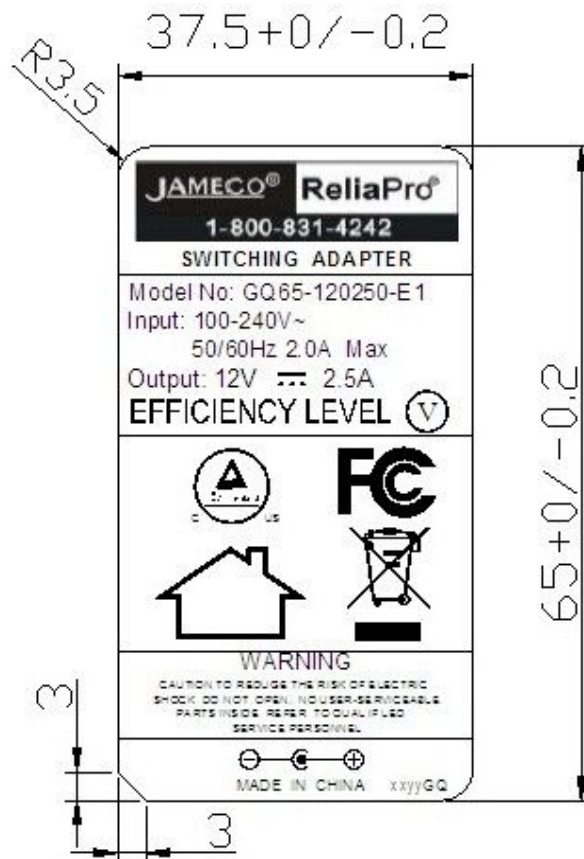


8.2.DC线规格 (DC CABLE SPEC) :

UL1185 20AWG 1.83M 黑色 (BLACK) .DC PLUG: $\varnothing 5.5 \times 2.5 \times 9.5\text{mm}/180^\circ$ 内正外负 加磁环

客户 CUSTOMER	A096	型号 MODEL NO.	GQ65120250-E1(5.5*2.5*9.5)	
承制 MANUFACTURE		版本 EDITION	A0	

9. 铭牌 (NAME LABEL) :



“xx yy”
年 丁 月
具体时间根据实际生产时间定义!

Note: 材质/MATERIAL:消银龙 (PET)

黑底银字/SILVER characters BLACK background

厚度/Thickness: 0.13mmT

环保/ROHS

客户 CUSTOMER	A096	型号 MODEL NO.	GQ65120250-E1(5.5*2.5*9.5)	
承制 MANUFACTURE			版本 EDITION	A0

11. 测试报告 (TEST REPORT) :

样品检验记录表 Sample checkout Record

样单编号:										DATE:2012-03-15				
电压/电流: 12V/2.5A										样品数量: 6PCS				
NO	Vin (Vac)	Vo empty	Vo full	Stand By	IO	OCP	short	start Up	R/N	Hold-up	ageing test	Drop test	Hipot test+Earth test	
		0mA	2.5A	Power										V
		12Vdc±5%	12Vdc±5%	0.3W	2.0A	130-300%	Auto Recovery	100VAC CR	<300mV	>10ms 100Vac	115Vac 2H	1Mat liberty Drop	Vp to o/p(3000Vac 60s) Vp to o/p(500Vac 30mΩ)	
1#	90V	12.20 V	11.72 V	0.12 W	0.705 A	3.30 A	OK	OK	152 mV	OK	OK	OK	OK	
	115V	12.20 V	11.72 V	0.13 W	0.588 A	3.70 A	OK	OK	148 mV	OK	OK	OK		
	230V	12.01 V	11.73 V	0.21 W	0.362 A	4.00 A	OK	OK	162 mV	OK	OK	OK		
	264V	12.20 V	11.72 V	0.24 W	0.321 A	4.05 A	OK	OK	154 mV	OK	OK	OK		
2#	90V	12.22 V	11.82 V	0.14 W	0.700 A	3.80 A	OK	OK	142 mV	OK	OK	OK	OK	
	115V	12.21 V	11.84 V	0.15 W	0.586 A	4.20 A	OK	OK	164 mV	OK	OK	OK		
	230V	12.21 V	11.84 V	0.23 W	0.359 A	4.80 A	OK	OK	132 mV	OK	OK	OK		
	264V	12.22 V	11.85 V	0.25 W	0.320 A	4.90 A	OK	OK	175 mV	OK	OK	OK		
外壳/CASE		L75*W:34.5*H:55mm,黑色												
DC Cord		UL1185 20AWG 1.83M 黑色 (BLACK) .DC PLUG: φ5.5*2.5*9.5mm/180°内正外负 加磁环												
效率 (Efficiency)														
AC输入电压: 115Vac		AC输入频率: 60Hz												
负载 (Load)	效率标准 (Efficiency standard)	1#		2#										
25%	83.50%	84.68%	84.19%	84.68%	84.23%									
50%		84.61%		84.98%										
75%		84.68%		84.38%										
100%		82.79%		82.89%										
备注:														
核准:				审核: 孙小义				检验员: 陈洪艳						