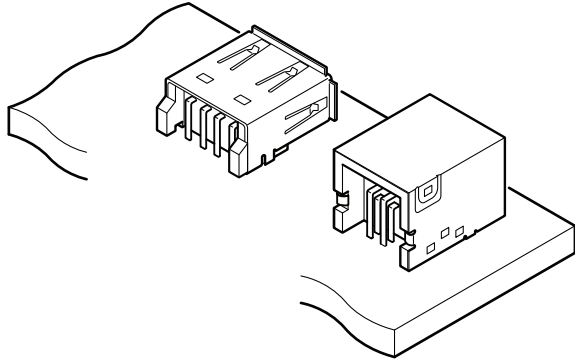


UB CONNECTOR

USB (Universal Serial Bus) compliant connector



- USB 2.0 standard-compliant
- Complete EMI protection
- SMT version available
 - * In addition to through-hole, SMT type is also available in the Type A Receptable.

■ Specifications

- Current rating: 1.0 A/ 1 line AC/DC
- Voltage rating: 30 V AC/DC
- Temperature range: -55°C to +85°C
(including temperature rise in applying electrical current)
- Contact resistance:
 - Initial value/ 30 mΩ max.
 - After tests/ Variation from initial value 10 mΩ max.
- Insulation resistance: 1,000 MΩ min.
- Withstanding voltage:
 - There shall be no breakdown or flashover while applying 750 VAC for one minute.
- * Please refer to the "Handling Precautions for Terminals and Connectors" on our website (listed in the "Technical Documents" column on the Product Information page) before use.
- * RoHS2 compliance
- * Dimensional unit: mm
- * Contact JST for details.

■ Standards

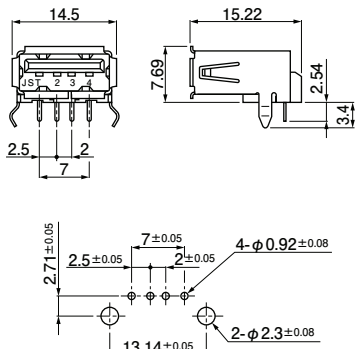
For information on overseas standard registrations, please refer to the "List of Registered Overseas Standards" on our website (listed in the "Technical Documents" column on the Product Information page).

- * Specifications registered to overseas standards may differ from the general specifications listed above.

Receptacle/ Type A

Through-hole type Normal

TID No. : 60000158

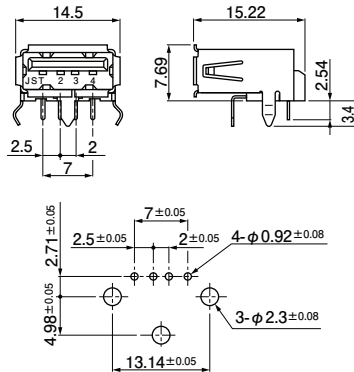


Q'ty/box: 250 pcs

Model No.	Material and Surface finish, etc.	
UBA-4R-D14-4D	Contact	Copper alloy, selective gold-plated
	Housing	PBT (GF)
	Shell	Copper alloy, tin-plated

Through-hole type Normal, with reinforcement

TID No. : 60000162

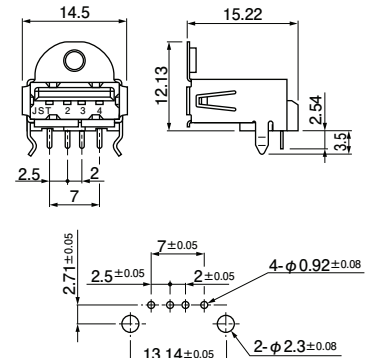


Q'ty/box: 250 pcs

Model No.	Material and Surface finish, etc.	
UBA-4R-D14T-4D	Contact	Copper alloy, selective gold-plated
	Housing	PBT (GF)
	Shell	Copper alloy, tin-plated
	Reinforcement	Copper alloy, tin-plated

Through-hole type Normal, with upper flange

TID No. : 60000163

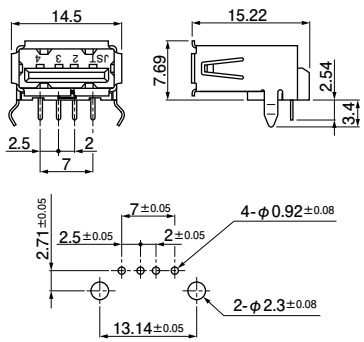


Q'ty/box: 250 pcs

Model No.	Material and Surface finish, etc.	
UBA-4R-D14C2-4D	Contact	Copper alloy, selective gold-plated
	Housing	PBT (GF)
	Shell	Copper alloy, tin-plated

Through-hole type Reverse

TID No. : 61000434

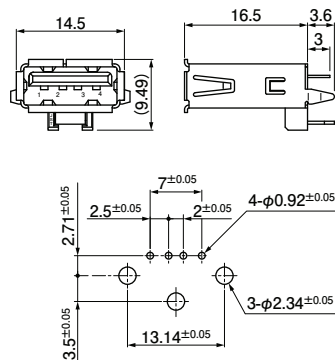


Q'ty/box: 250 pcs

Model No.	Material and Surface finish, etc.	
UBA-R4R-D14-4D	Contact	Copper alloy, selective gold-plated
	Housing	PBT (GF)
	Shell	Copper alloy, tin-plated

Through-hole type Straight

TID No. : 60000456

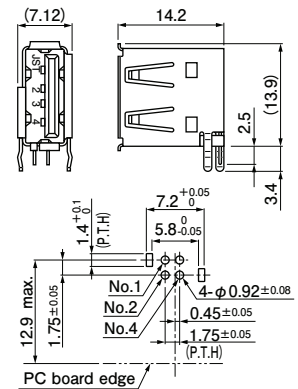


Q'ty/box: 250 pcs

Model No.	Material and Surface finish, etc.	
UBAS-4R-D14D-4D	Contact	Copper alloy, selective gold-plated
	Housing	PBT (GF)
	Shell	Copper alloy, tin-plated

Through-hole type Vertical

TID No. : 60000455



Q'ty/box: 350 pcs

Model No.	Material and Surface finish, etc.	
UBAL-4R-D14-4S	Contact	Copper alloy, selective gold-plated
	Housing	PPS
	Shell	Copper alloy, tin-plated

The following notes apply to all products listed on this page.

Note: 1. This product displays (LF)(SN) on a label.

2. Dimensions indicated in the product diagrams and PCB layouts are for reference only.

3. The PC board layout figure shown is viewed from the connector mounting surface.

4. Contact surface with partial gold flash plating also available (USB 2.0 non-certified).

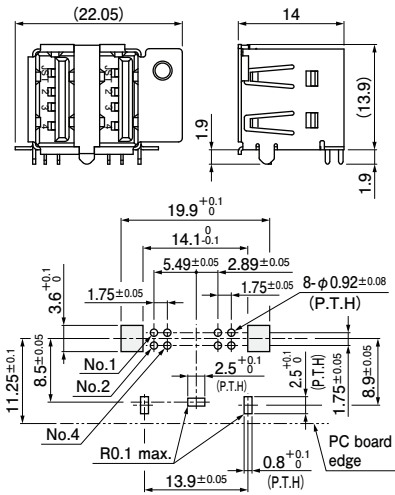
5. For flame retardant grade of resin material used, please refer to the "List of Registered Overseas Standards" on our website (listed in the "Technical Documents" column on the Product Information page).

6. Please contact JST for further details.

Receptacle/ Type A

Through-hole type Vertical, dual-row, with right flange

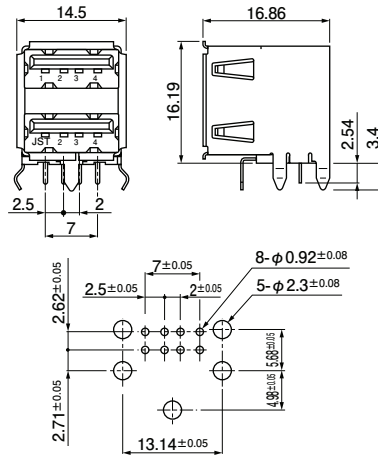
TID No. : 60000455



Q' ty/box: 105 pcs

Through-hole type Normal, double-stacked

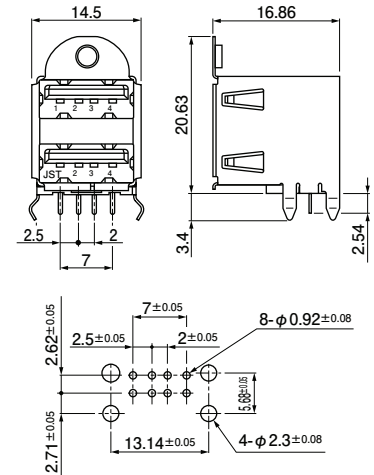
TID No. : 60000434



Q' ty/box: 210 pcs

Through-hole type Normal, double-stacked, with upper flange

TID No. : 61000434



Q' ty/box: 210 pcs

Model No.	Material and Surface finish, etc.	
UBAL-4RS-D14K-4S	Contact	Copper alloy, selective gold-plated
	Housing	PPS
	Shell A	Copper alloy, tin-plated
	Shell B	tin-plated

Model No.	Material and Surface finish, etc.	
UBA-4RS-D14T-4D	Contact	Copper alloy, selective gold-plated
	Housing	PBT (GF)
	Locator	
	Shell A	Copper alloy, tin-plated
	Shell B	Copper alloy, tin-plated
	Reinforcement	

Model No.	Material and Surface finish, etc.	
UBA-4RS-D14C-4D	Contact	Copper alloy, selective gold-plated
	Housing	PBT (GF)
	Locator	
	Shell A	Copper alloy, tin-plated
	Shell B	tin-plated

The following notes apply to all products listed on this page.

Note: 1. This product displays (LF)(SN) on a label.

2. Dimensions indicated in the product diagrams and PCB layouts are for reference only.

3. The PC board layout figure shown is viewed from the connector mounting surface.

4. Contact surface with partial gold flash plating also available (USB 2.0 non-certified).

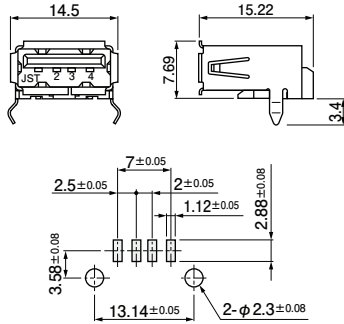
5. For flame retardant grade of resin material used, please refer to the "List of Registered Overseas Standards" on our website (listed in the "Technical Documents" column on the Product Information page).

6. Please contact JST for further details.

Receptacle/ Type A

SMT type Normal

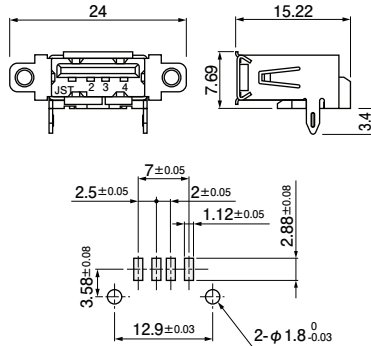
TID No. : 60000160



Q'ty/box: 250 pcs

SMT type Normal, with side flange

TID No. : 60000171

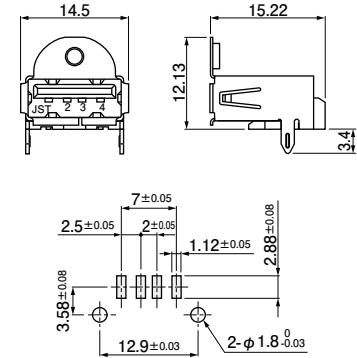


Q'ty/box: 192 pcs

SMT type

Normal, with upper flange

TID No. : 60000174



Q'ty/box: 216 pcs

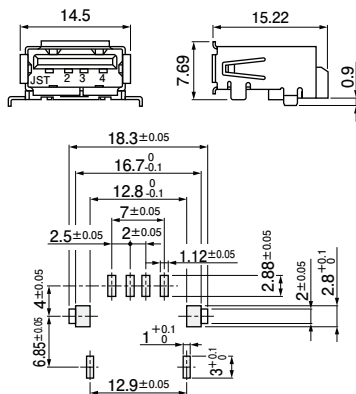
Model No.	Material and Surface finish, etc.	
UBA-4R-S14-4S	Contact	Copper alloy, selective gold-plated
	Housing	PPS
	Shell	Copper alloy, tin-plated

Model No.	Material and Surface finish, etc.	
UBA-4R-S14A-4S	Contact	Copper alloy, selective gold-plated
	Housing	PPS
	Shell	Copper alloy, tin-plated

Model No.	Material and Surface finish, etc.	
UBA-4R-S14C-4S	Contact	Copper alloy, selective gold-plated
	Housing	PPS
	Shell	Copper alloy, tin-plated

SMT type Normal, full SMT

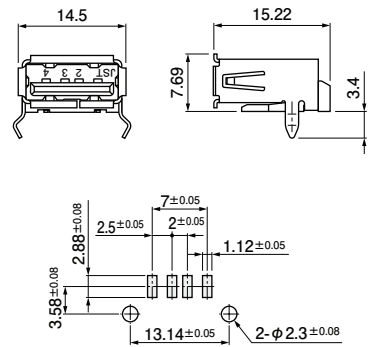
TID No. : 60000434



Q'ty/box: 192 pcs

SMT type Reverse

TID No. : 62000434



Q'ty/box: 250 pcs

Model No.	Material and Surface finish, etc.	
UBA-4R-S14HD-4S	Contact	Copper alloy, selective gold-plated
	Housing	PPS
	Shell	Copper alloy, tin-plated

Model No.	Material and Surface finish, etc.	
UBA-R4R-S14-4S	Contact	Copper alloy, selective gold-plated
	Housing	PPS
	Shell	Copper alloy, tin-plated

The following notes apply to all products listed on this page.

Note: 1. This product displays (LF)(SN) on a label.

2. Dimensions indicated in the product diagrams and PCB layouts are for reference only.

3. The PC board layout figure shown is viewed from the connector mounting surface.

4. Contact surface with partial gold flash plating also available (USB 2.0 non-certified).

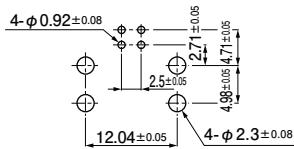
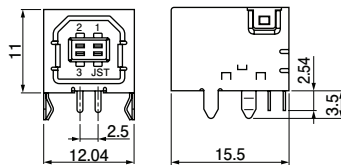
5. For flame retardant grade of resin material used, please refer to the "List of Registered Overseas Standards" on our website (listed in the "Technical Documents" column on the Product Information page).

6. Please contact JST for further details.

Receptacle/ Type B

Through-hole type With reinforcement

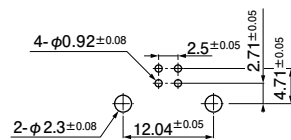
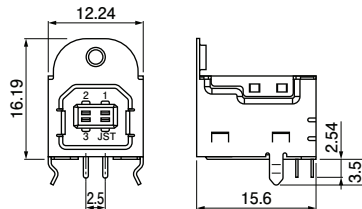
TID No. : 60000457



Q'ty/box: 270 pcs

Through-hole type With upper flange

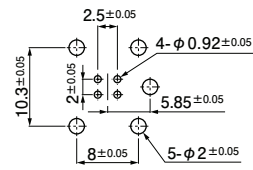
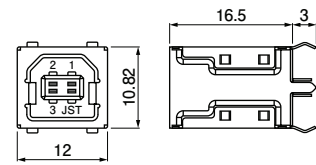
TID No. : 60000457



Q'ty/box: 270 pcs

Through-hole type Straight

TID No. : 60000468



Q'ty/box: 600 pcs

Model No.	Material and Surface finish, etc.	
UBB-4R-D14T-4D	Contact	Copper alloy, selective gold-plated
	Housing	PBT (GF)
	Shell	Copper alloy, tin-plated

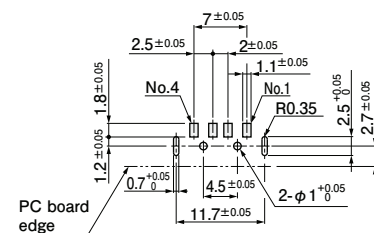
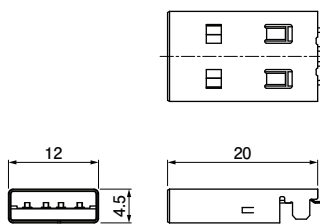
Model No.	Material and Surface finish, etc.	
UBB-4R-D14C-4D	Contact	Copper alloy, selective gold-plated
	Housing	PBT (GF)
	Shell	Copper alloy, tin-plated

Model No.	Material and Surface finish, etc.	
UBBS-4R-D14-4D	Contact	Copper alloy, selective gold-plated
	Housing	PBT (GF)
	Shell	Copper alloy, tin-plated

Plug/ Type A

SMT type

TID No. : 61001068



Q'ty/box: 5,580 pcs

Model No.	Material and Surface finish, etc.	
UBA-4P-S14E	Contact	Copper alloy, selective gold-plated
	Housing	PA (Heat resistance)
	Shell	Copper alloy, selective PD-NI plated

The following notes apply to all products listed on this page.

Note: 1. This product displays (LF)(SN) on a label.

2. Dimensions indicated in the product diagrams and PCB layouts are for reference only.

3. The PC board layout figure shown is viewed from the connector mounting surface.

4. Contact surface with partial gold flash plating also available (USB 2.0 non-certified).

5. For flame retardant grade of resin material used, please refer to the "List of Registered Overseas Standards" on our website (listed in the "Technical Documents" column on the Product Information page).

6. Please contact JST for further details.