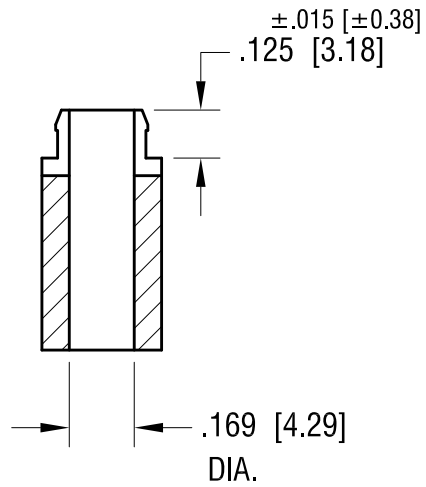
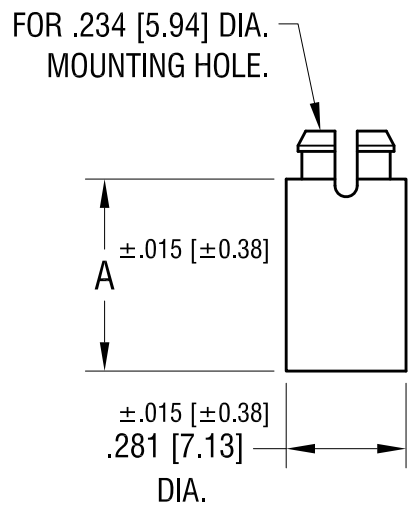
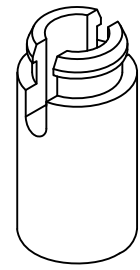


THIS DOCUMENT IS THE PROPERTY OF
KEYSTONE ELECTRONICS CORP. AND
SHALL NOT BE REPRODUCED, DISTRIBUTED
OR USED AS A BASIS FOR MANUFACTURE
WITHOUT PRIOR WRITTEN PERMISSION
FROM KEYSTONE ELECTRONICS CORP.



PART NO.	'A' DIM.
9037	.250 [6.35]
9038	.375 [9.53]
9039	.500 [12.70]
9040	.625 [15.88]

DATE	DESCRIPTION	REV.
11.05.09	CHANGE AS PER ECN 09-161	B
5.04.09	CHANGE AS PER ECN 09-036	A

KEYSTONE ELECTRONICS CORP.
www.keyelco.com • ASTORIA, N.Y. 11105-2017 • Tel (718) 956-8900

PART NAME: THRU HOLE SPACER

MATERIAL: NYLON UL 94V-0

FINISH: -	DRN BY: BOONE	DATE: 8.29.06
	APP'D: LN	SCALE: 2X

TOLERANCES: INCH [MM]
DECIMAL: $\pm .005$ [± 0.15]
ANGULAR: $\pm 1^\circ$
UNLESS OTHERWISE SPECIFIED

CODE: C/M

DWG NO.: 9037-9040

Mouser Electronics

Authorized Distributor

Click to View Pricing, Inventory, Delivery & Lifecycle Information:

[Keystone Electronics:](#)

[9037](#)