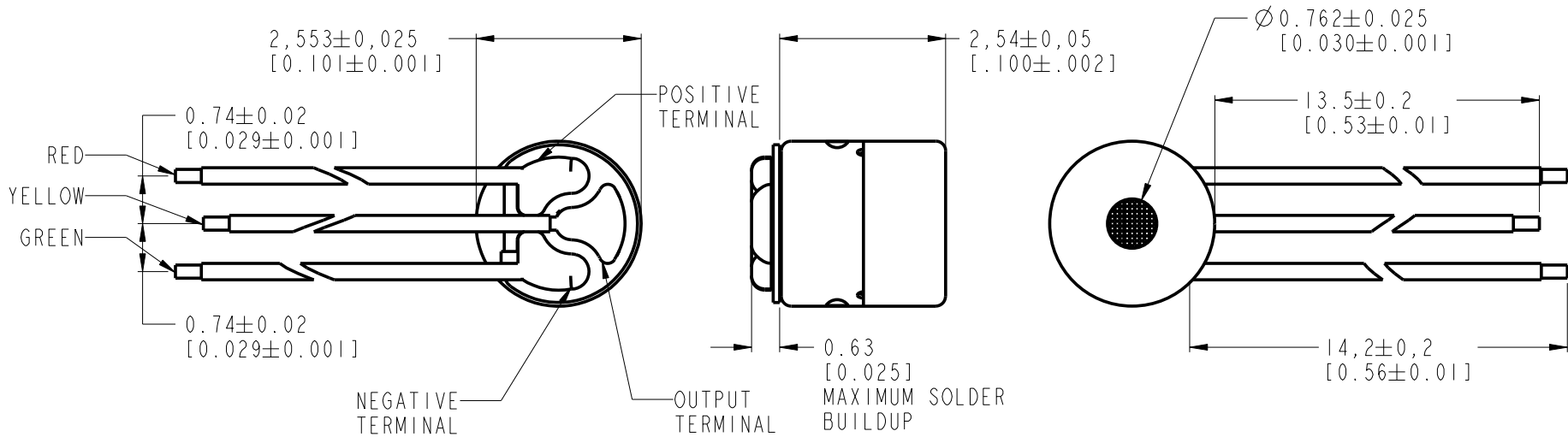


**FG-23629-P25**  
SHT 1.1



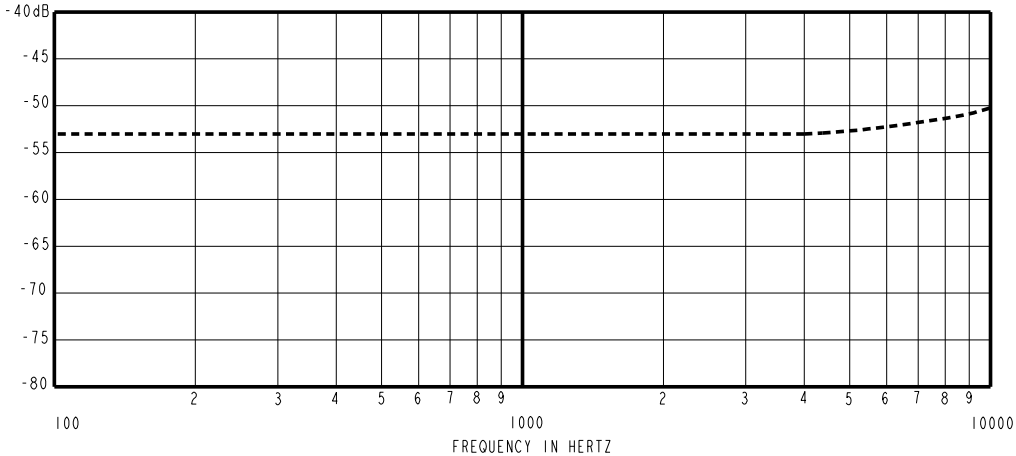
DIMENSIONS IN MILLIMETERS [INCHES]

Revision	C.O. #	Implementation Date	RELEASE LEVEL	REVISION
C	C10110401	9-17-09	<b>Active</b>	<b>C</b>
B	M10102176	9-09-08		
A	C10100789	09/28/05		

**KNOWLES ELECTRONICS**  
ITASCA, ILLINOIS U.S.A.

SCALE: <b>10:1</b>		DR. BY: DATE
DO NOT SCALE DRAWING		DMS 09/15/05
TITLE: <b>MICROPHONE /CABLE</b>		CK. BY: DATE
<b>FG-23629-P25</b>		GJP 09/28/05
OUTLINE DRAWING		APP. BY: DATE
<b>SHT 1.1</b>		GJP 09/28/05

SENSITIVITY IN dB RELATIVE TO 1.0 VOLT/0.1 Pa (N/M<sup>2</sup>)  
FOR CONDITIONS SHOWN BELOW.

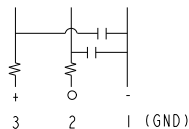


FREQUENCY	SENSITIVITY			DEVICE CONFORMITY	
	MIN.	NOM.	MAX.	RANGE OF DEVIATION FROM 1KHZ	
100	---	-53.0	---	-3.0	+3.0
1000	-56.0	-53.0	-50.0	0.0	0.0
10000	---	-50.0	---	-0.0	+6.0

- NOTES:
1. CASE CONNECTED TO NEGATIVE TERMINAL.
  2. MICROPHONE TO BE FUNCTIONAL WITH 3.0 VDC SUPPLY.
  3. TYPICAL SENSITIVITY TO HUMIDITY AT 1000HZ IS 0.06 dB/%RH
  4. SENSITIVITY AND NOISE VALUES INDICATED ON THIS SPECIFICATION ARE VALID AT 50% HUMIDITY.

DC SUPPLY	AMPLIFIER CURRENT DRAIN	SENSITIVITY CHANGE ON REDUCING SUPPLY TO 0.9VDC	"A" WEIGHTED NOISE (1 kHz EQUIV. SPL)	OUTPUT IMPEDANCE OHMS			CAPACITANCE ±50%	
				MIN.	NOM.	MAX.	1-2	1-3
1.3V	50uA MAX.	3 dB MAX.	28.0 dB MAX.	2800	4400	6800	33pF	33pF

CAPACITANCE PROBE POINTS



Revision	C.O. #	Implementation Date	RELEASE LEVEL	REVISION
C	C10110401	9-17-09	<b>Active</b>	<b>C</b>
B	M10102176	9-09-08		
A	C10100789	09/28/05		

**KNOWLES ELECTRONICS**  
ITASCA, ILLINOIS U.S.A.

WHEN TEST LIMITS ARE USED TO ESTABLISH INCOMING INSPECTION ACCEPTANCE/REJECTION CRITERIA, CORRELATION OF TEST EQUIPMENT WITH KNOWLES IS ALSO REQUIRED FOR ELIMINATION OF EQUIPMENT AND TEST METHOD VARIATION

TITLE: **MICROPHONE / CABLE** **FC-23629-P25**  
PERFORMANCE SPECIFICATION **SHT 2.1**

DR. BY	DATE
DMS	09/15/05
CK. BY	DATE
GJP	09/28/05
APP. BY	DATE
GJP	09/28/05

# Mouser Electronics

Authorized Distributor

Click to View Pricing, Inventory, Delivery & Lifecycle Information:

[Knowles:](#)

[FG-23629-P25](#)