

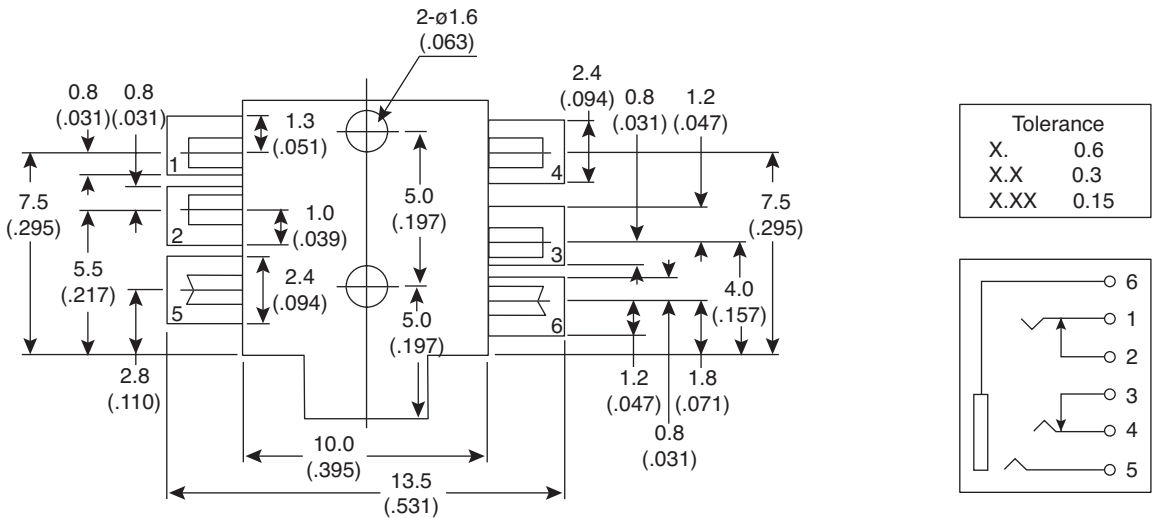
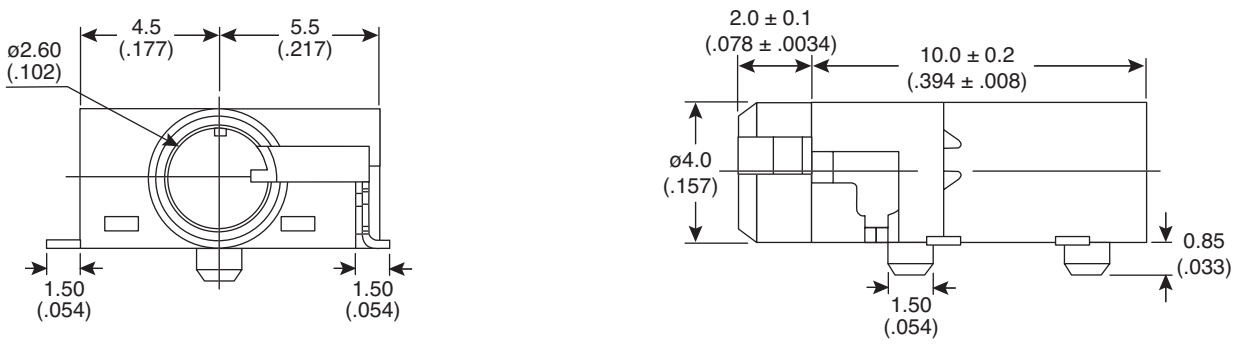
# SMD Phone Jack

161-2624-E



SMD Phone Jack

161-2624-E



P.C.B Layout (Bottom View)  
 ± 0.1 (.0039)

Dimensions: (IN.) mm

SPECIFICATIONS	
Voltage rating:	16 VDC
Current rating:	0.3 A
Contact resistance:	30m Ω
Insulation resistance:	100M Ω 500 VDC
Dielectric strength:	500 VAC 1 min.
Durability:	5000 cycles
Insertion force:	.03 Kg to 2.0 Kg
Extraction force:	.2 Kg to 2.0 Kg
Soldering temperature:	260°C 5 sec.
Operating temperature:	-25°C to +85°C
Contacts:	Brass
Housing:	LCP
Plating contacts:	Phosphor bronze
RoHS Compliant	

Date Last Revised: 7-3-06

Available from Mouser Electronics  
 1-800-346-6873  
 www.mouser.com

KC-300974

Specifications are subject to change without notice. No liability or warranty implied by this information. Environmental compliance based on producer documentation.

# Mouser Electronics

Authorized Distributor

Click to View Pricing, Inventory, Delivery & Lifecycle Information:

[Kobiconn:](#)

[161-2624/TR-E](#) [161-2624-E](#)