

## Solid State Relay

### KSI480 Series Single Phase AC Output

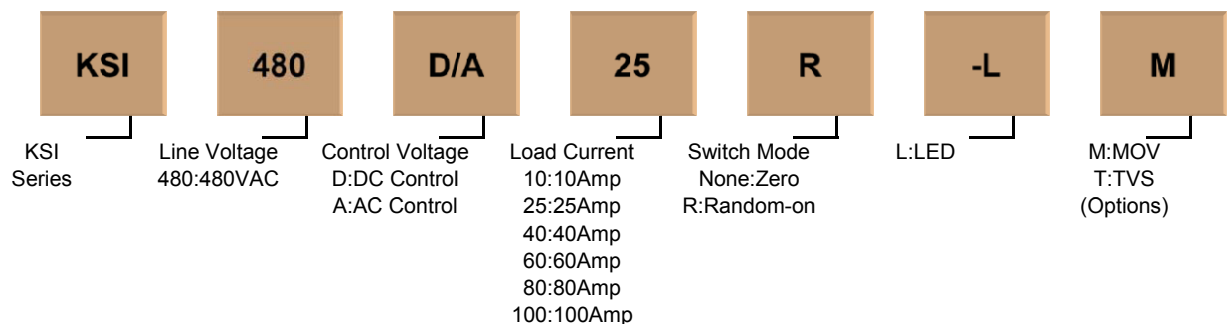


- Zero switching or instant-on
- Ratings from 10A to 100A @ 48-530 VAC
- SCR output for heavy industrial loads
- AC or DC input
- DBC substrate for superior thermal performance
- Opto-isolation: >4000VACrms
- LED indication
- Internal RC/MOV and TVS protection circuit as option

#### Product Description

KSI480 series industrial single phase relay with SCR output is the most widely used in industry application. The relay can be used for resistive, inductive and capacitive loads. The control input voltage is 4-32VDC or 85-280VAC, output current rate 10A, 25A, 40A, 60A, 80A and 100A @ 48-530VAC.

#### Product Selection



Description	10A	25A	40A	60A	80A	100A
D:3-32VDC	KSI480D10	KSI480D25	KSI480D40	KSI480D60	KSI480D80	KSI480D100
	KSI480D10R	KSI480D25R	KSI480D40R	KSI480D60R	KSI480D80R	KSI480D100R
AC:85-280VAC	KSI480A10	KSI480A25	KSI480A40	KSI480A60	KSI480A80	KSI480A100

#### Technical Specification

##### Input Circuit

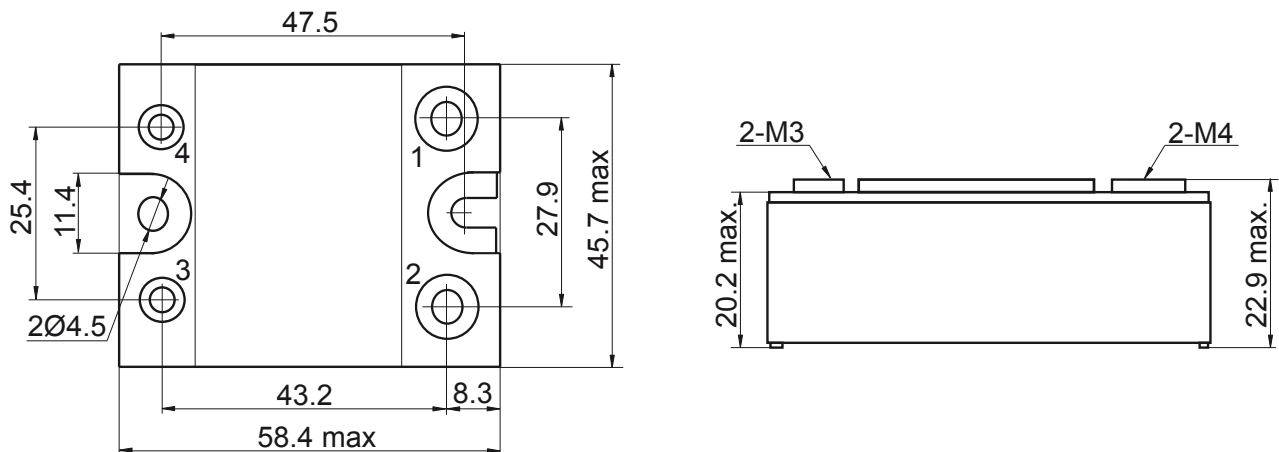
Control Voltage Range	DC Input	4-32VDC
	AC Input	85-280VAC
Minimum Turn-On Voltage	DC Input	4VDC
	AC Input	85VAC
Minimum Turn-Off Voltage	DC Input	1VDC
	AC Input	10VAC
Maximum Input Current	DC Input	25mA
	AC Input	10mA

Output Circuit		
Load Voltage	48-530VAC	
Maximum Turn-On Time	DC Input Random-On	1ms
	DC Input Zero-On	1/2AC Cycle + 1ms
	AC Input	20ms
Maximum Turn-Off Time	DC Input	1/2AC Cycle + 1ms
	AC Input	40ms
Maximum Surge Current (@10 ms)	10A	400A
	25A	600A
	40A	640A
	60A	860A
	80A	1280A
	100A	1550A
Transient Overvoltage	1200Vpk	
Maximum Off-State Leakage Current [ @ Rated Voltage]	5mA	
Maximum On-State Voltage Drop [ @ Rated Current]	1.7Vrms	
Minimum Off-State dv/dt [ @ Maximum Rated Voltage]	500V/μs	

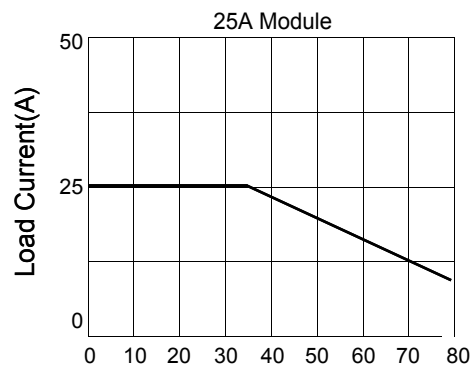
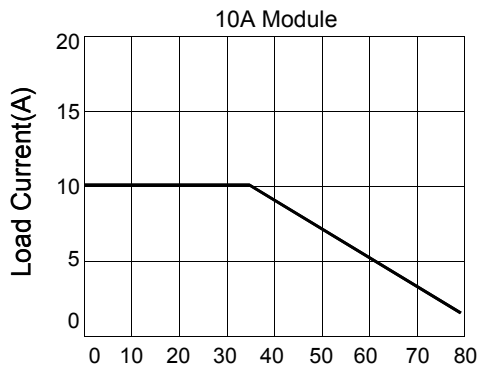
General Information	
Dielectric Strength, Input/Output/Base (50/60Hz)	4000Vrms min.
Ambient Operating Temperature Range	-30°C ~ +80°C
Ambient Storage Temperature Range	-30°C ~ +100°C
Weight (typical)	85g

**Application**  
 High-low Temperature Chamber, Plastics Machinery, Incubation Machine, Oiling Machine, HVAC, Elevator, Lighting, Fountain Controller.

**Installation**

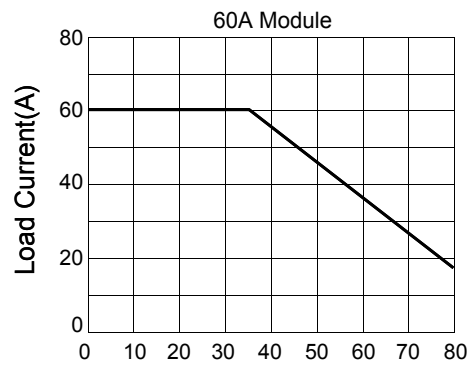
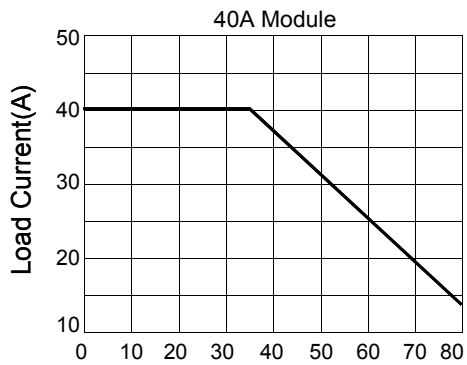


## Thermal Curve



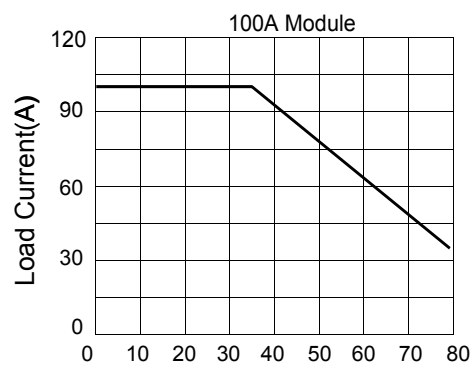
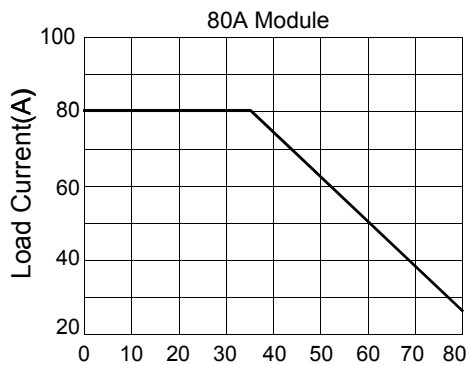
Ambient Temperature (°C)

Ambient Temperature (°C)



Ambient Temperature (°C)

Ambient Temperature (°C)



Ambient Temperature (°C)

Ambient Temperature (°C)

## Important Notice

1. When the ambient temperature is over 40°C or many KSI series are installed closely together, the user should take load discount into account according to the thermal curve.
2. If the load current is over 5A, suitable heatsink should be added to the SSR.
3. Plastic cover can be option depends on application to reach IP20.

## Product Certification



**SONG CHUAN EUROPE GmbH**  
Im Petersfeld 5  
D-65624 Altendiez  
Phone: +49 6432 8006 90  
Fax: + 49 6432 8006 50  
info@songchuan.eu  
www.songchuan.eu

This product is a supplementary product for the European market and only available through Song Chuan Europe. It is manufactured by Kudom Electronics Technology, China.