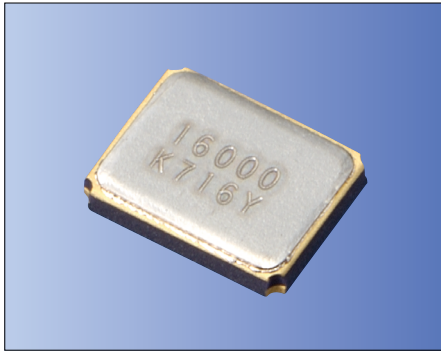




3.2 × 2.5mm for Consumer Products/ Mobile Communications



PSL: R4Y



How to Order

CX3225SB 25000 D0 G S S CC
① ② ③④ ⑤ ⑥ ⑦ ⑧

- ① Series (Type and Size)
- ② Frequency (8,000 to 54,000kHz)
- ③④ Load Capacitance (Unit:pF) Ex.: D1:8.1pF

③ Integer part		④ After the decimal point	
D	8	0	.0
E	9	1	.1
F	10	2	.2
G	11	3	.3
H	12	4	.4
Z	Special suffix	5	.5
		6	.6
		7	.7
		8	.8
		9	.9

Packaging
(Tape & Reel 3000 pcs./ reel)

⑤ Frequency Tolerance

F	±10×10 ⁻⁶
G	±15×10 ⁻⁶
H	±20×10 ⁻⁶
J	±25×10 ⁻⁶
K	±30×10 ⁻⁶
M	±40×10 ⁻⁶
P	±50×10 ⁻⁶
W	All Over
Z	Special suffix

Features

- Crystal unit for consumer products and mobile communications
- Miniature and low profile (3.2 × 2.5 × 0.55mm)
- Ceramic package • Reflow compatible

Applications

- Consumer Products
 - Wireless Comm. (Mobile Communications, Bluetooth®, Wireless LAN)
- *Bluetooth® is a registered trademark of Bluetooth SIG, Inc.

⑥ Operating Temp. Range ⑦ Frequency Temp. Stability

⑥	⑦	J	L	N	Q	R	S	T
		±15ppm	±20ppm	±25ppm	±30ppm	±40ppm	±50ppm	±100ppm
B	0 to 70°C	✓	✓	✓	✓	✓	✓	✓
E	-10 to 70°C	✓	✓	✓	✓	✓	✓	✓
F	-20 to 70°C	✓	✓	✓	✓	✓	✓	✓
L	-30 to 85°C		✓	✓	✓	✓	✓	✓
P	-40 to 85°C				✓	✓	✓	✓
R	-40 to 105°C					✓	✓	✓

⑧ Individual Specification (STD Specification is "CC" .)

Specifications

Item	Symbol	Specification	Unit	Remarks
Frequency Range	f _{nom}	12000 to 54000	kHz	Please contact us for other frequency range.
Overtone Order	OT	Fundamental	—	
Load Capacitance	CL	8	pF	Please contact us for other CL requirements.
Frequency Tolerance	f _{tol}	±15	×10 ⁻⁶	25° C ± 3° C
Motional Series Resistance	R1	Table 1	ohm	
Drive Level	DL	10μW(100μW max.)	μ W	
Operating Temp. Range	T _{use}	-30 to +85	° C	
Storage Temp. Range	T _{stg}	-40 to +85	° C	
Frequency Temp. Characteristics	f _{tem}	± 20	× 10 ⁻⁶	Freq. deviation from the value at 25° C
Shunt capacitance	C0	3.0max.	pF	

◆ Table 1 Motional Series Resistance ESR (C1)

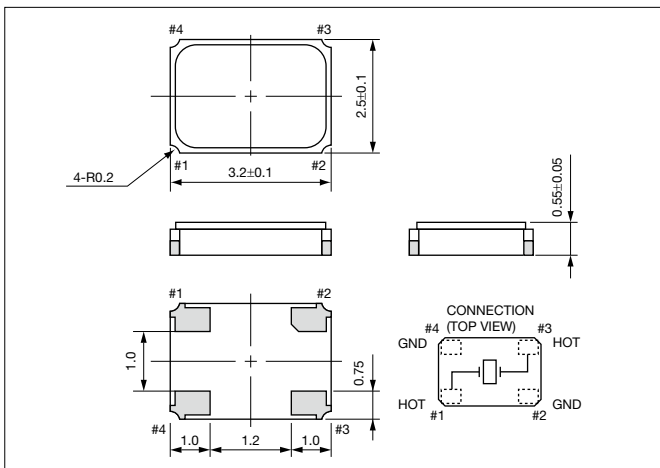
Frequency (MHz)	ESR (Ohm)
12 ≤ F < 13	150
13 ≤ F < 20	80
20 ≤ F ≤ 54	50

Crystal Units

Please contact us for other specifications.

Dimensions

(Unit: mm)



Recommended Land Pattern

(Unit: mm)

