

## NAVIGATE THE CATALOG BY SECTION

1 2 3 4 5 6 7 8 9 10 11 12 13 14 15 16 17 18 19 20 21 22

 LAPP ONLINE CATALOG

### SKINTOP® Strain Relief Cord Connectors

#### SKINTOP® SLN/SLRN

Liquid Tight, Non-Metallic Strain Relief Cable Gland with NPT Threads

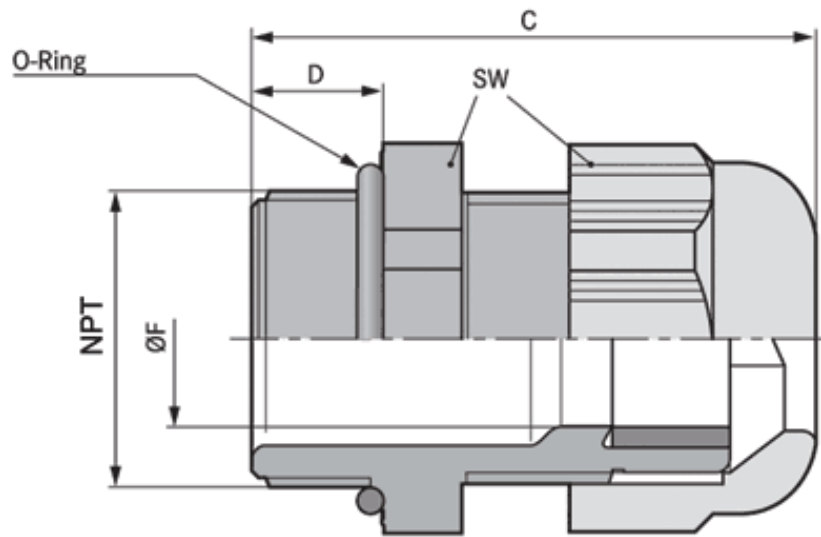


SKINTOP® SLN/ SLRN is a durable, liquid tight, easy to assemble strain relief cable gland with NPT threads that is universally suited for all types of machinery & equipment, including automation, motion control, process control and robotics.

#### Application Advantage:

- The heavy duty SKINTOP™ design provides great pullout strength and very reliable strain relief
- Superior integrated locking mechanism includes an internal ratchet for vibration proof protection
- Multi-trapezoidal thread requires just one twist to tighten
- Generous high quality neoprene bushing provides a liquid tight and dust proof, hermetic seal





**TECHNICAL DATA:**

**Materials:**

Body: Polyamide

Bushing: CR



**Color:** Black (RAL 9005) UV Resistant  
Gray (RAL 7001)



**Protection Seal:** 70 PSI

IP 68, 5 Bar

Exceeds NEMA 6/6P Pressure rating

-20°C to +80°C (UL)



**Temperature Range:**

Please note that locknuts are not included. They may be ordered separately, see [SKINTOP® GMP-GL](#)

Part Number	Thread Type	UL Status	Clamping Range ØF	SW Wrenching Flats	C Overall Length	D Thread Length	Standard Pack Size	Weight 100 pcs.
			inches	inches	inches	inches		lbs.
<b>NPT Thread - Standard Type - Black</b>								
S2138	NPT-3/8"	R	.138 - .315	0.748	1.693	0.591	100	2.00
S2112	NPT-1/2"	L	.197 - .472	0.945	1.772	0.591	100	2.50
S2134	NPT-3/4"	L	.512 - .709	1.299	2.087	0.591	50	5.50
S2101	NPT-1"	L	.748 - 1.000	1.654	2.362	0.591	25	9.00
<b>NPT Thread - Standard Type - Gray</b>								
S1138	NPT-3/8"	R	.138 - .315	0.748	1.693	0.591	100	2.00
S1112	NPT-1/2"	L	.197 - .472	0.945	1.772	0.591	100	2.50
S1134	NPT-3/4"	L	.512 - .709	1.299	2.087	0.591	50	5.50
S1101	NPT-1"	L	.748 - 1.000	1.654	2.362	0.591	25	9.00
<b>NPT Thread with Reducer Bushing- Black</b>								
S2238	NPT-3/8"	R	.079 - .236	0.748	1.693	0.591	100	2.00
S2212	NPT-1/2"	L	.157 - .354	0.945	1.772	0.591	100	2.50
S2234	NPT-3/4"	L	.354 - .630	1.299	2.087	0.591	50	5.50
S2201	NPT-1"	L	.551 - .827	1.654	2.362	0.591	25	9.00
<b>NPT Thread with Reducer Bushing- Gray</b>								
S1238	NPT-3/8"	R	.079 - .236	0.748	1.693	0.591	100	2.00
S1212	NPT-1/2"	L	.157 - .354	.945	1.772	0.591	100	2.50
S1234	NPT-3/4"	L	.354 - .630	1.299	2.087	0.591	50	5.50
S1201	NPT-1"	L	.551 - .827	1.654	2.362	0.591	25	9.00

Orders of 2000 pieces or more per item will be bulk packaged unless otherwise requested.

UL Status: R = Recognized; L = Listed