

**Product number CN12367_LENA-FRESNEL**

Family	Lena	FWHM	8 degrees
Type	RefPack	Efficiency	36 %
LED	CL-L340	cd/lm	9.600
Color	Black	Gerber File	Available
Diameter	111 mm		
Height	87.7 mm		
Style	Round		
Optic Material	PC		
Holder Material	PC		
Fastening	Socket, screw		
Status	On production		

**Product number CN12101_LENA-S**

Family	Lena	FWHM	11 degrees
Type	RefPack	Efficiency	84 %
LED	CL-L340	cd/lm	10.100
Color	Metal	Gerber File	Available
Diameter	111 mm		
Height	86.1 mm		
Style	Round		
Optic Material	PC		
Holder Material	PC		
Fastening	Screw		
Status	On production		

**Product number CN12112_LENA-S-DL**

Family	Lena	FWHM	14 degrees
Type	RefPack	Efficiency	79 %
LED	CL-L340	cd/lm	8.000
Color	Metal	Gerber File	Available
Diameter	111 mm		
Height	87.7 mm		
Style	Round		
Optic Material	PC		
Holder Material	PC		
Fastening	Screw		
Status	On production		

**Product number CN12161_LENA-M**

Family	Lena	FWHM	22 degrees
Type	RefPack	Efficiency	83 %
LED	CL-L340	cd/lm	4.700
Color	Metal	Gerber File	Available
Diameter	111 mm		
Height	86.1 mm		
Style	Round		
Optic Material	PC		
Holder Material	PC		
Fastening	-		
Status	On production		

**Product number** CN12113_LENA-W-DL

Family	Lena	FWHM	45 degrees
Type	RefPack	Efficiency	75 %
LED	CL-L340	cd/lm	1.400
Color	Metal	Gerber File	Available
Diameter	111 mm		
Height	87.7 mm		
Style	Round		
Optic Material	PC		
Holder Material	PC		
Fastening	Screw		
Status	On production		

NOTE: The typical divergence will be changed by different color, chip size and chip position tolerance. The typical total divergence is the full angle measured where the luminous intensity is half of the peak value.

**GENERAL INFORMATION**

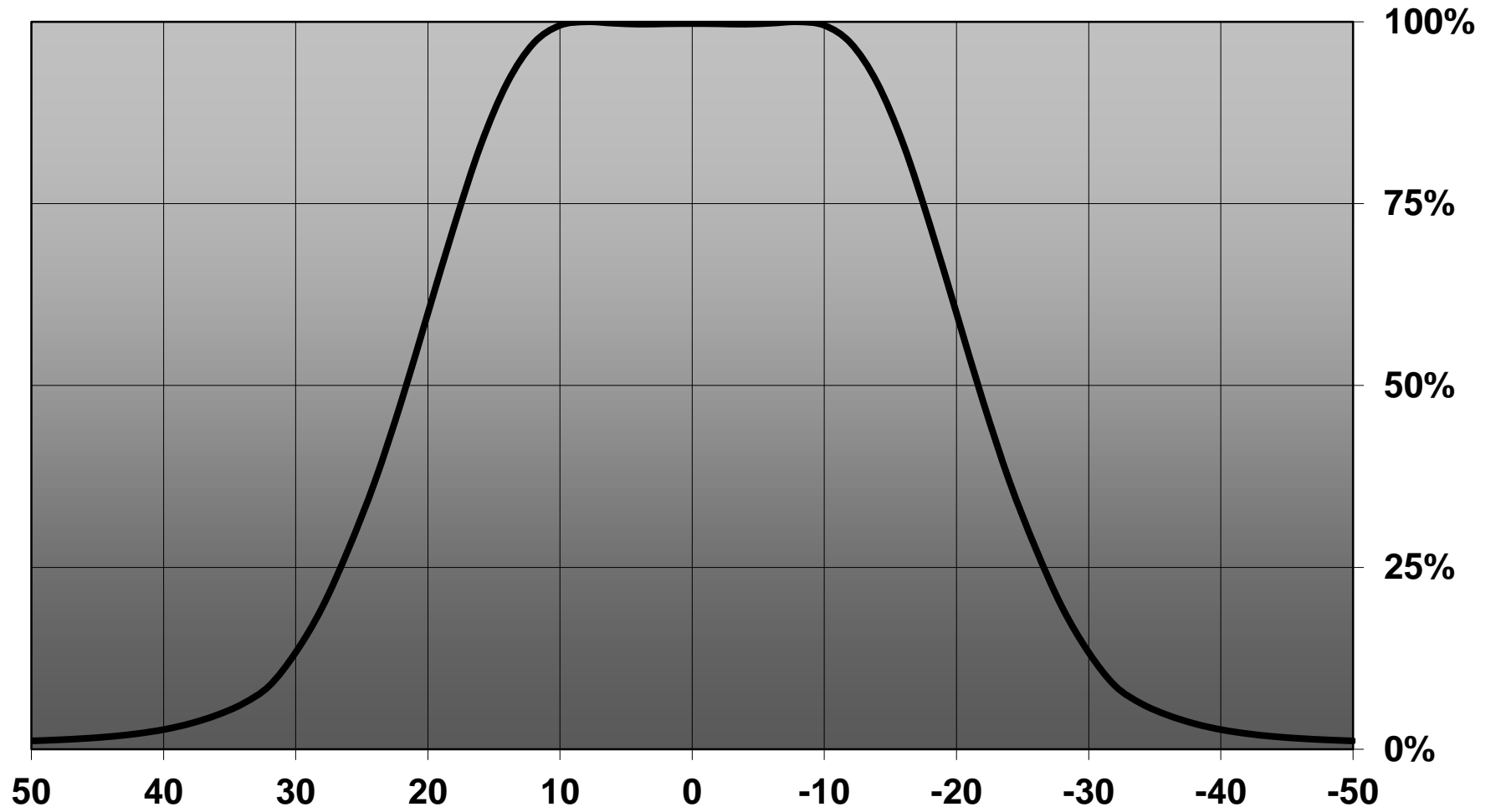
- Product series especially designed & optimized for CL-L340 series of LEDs.
- Special care taken to make light distribution as uniform as possible.
- Lens material optical grade PC with high UV and temperature resistance (120 degrees of Celcius / 248 degrees of Fahrenheit). Allows use of high current and temperature conditions.

Please find more information about used materials from below:

http://ledil.fi/sites/default/files/Documents/Technical/Material/PC%20Makrolon%202400_2407_2456_2458-UL.pdf

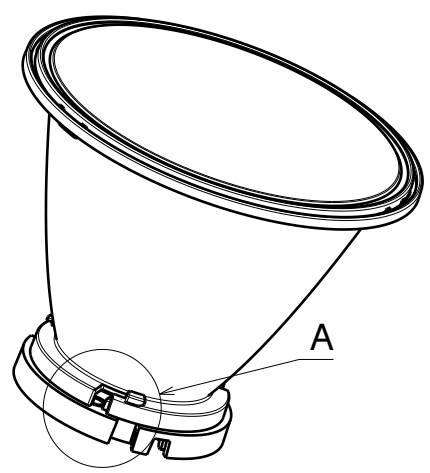
- Reflector is made of aluminium coated PC (120 degrees of Celcius / 248 degrees of Fahrenheit) with protective lacquer (short term 100 degrees of Celcius / 212 degrees of Fahrenheit).
- Optic holder molded by high quality PC material (120 dergees of Celcius / 248 degrees of Fahrenheit).

Relative intensity of CA12113_Lena-W-Diffuser-Lens-CL340

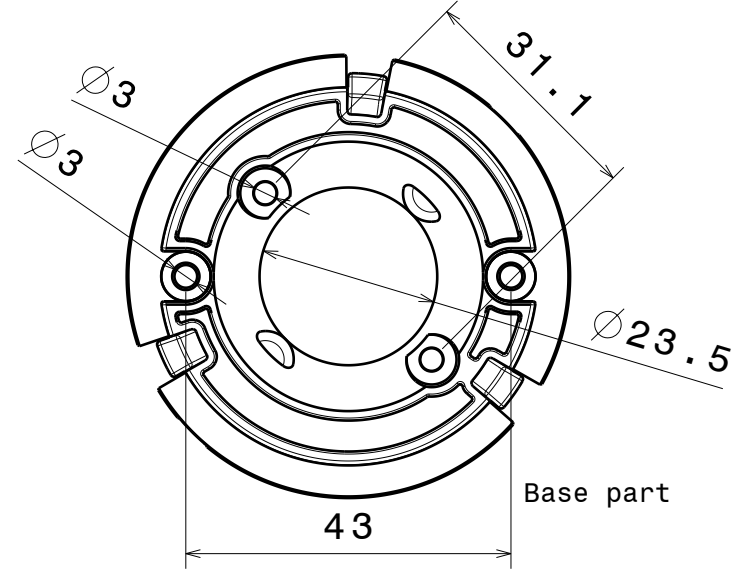


D C B A

4

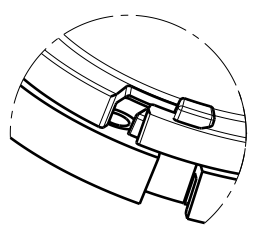


Isometric view



Base part

3

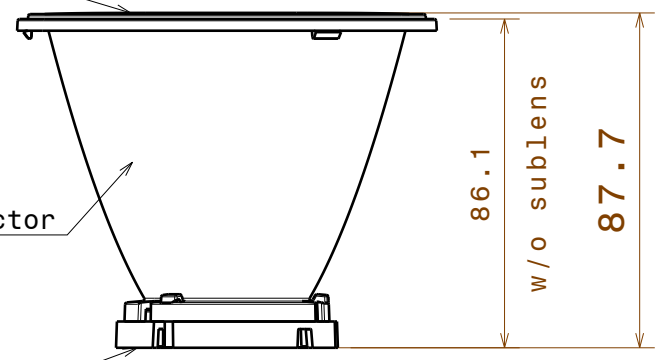


Detail A
Scale: 1:1

Lena sublens

Lena reflector

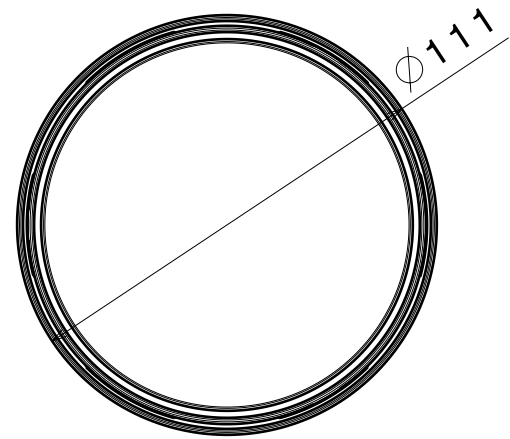
Lena-STD-base CL340



2

Material:

- subLens
 - PMMA
- Reflector
 - PC
 - Metal coating and clear lacquer
- Holder base
 - PC
 - Color white



4

3

2

This drawing is our property. It can't be reproduced or communicated without our written agreement.



L T F F e i n e i n

DRAWING TITLE

Datasheet Lena-CL340 series Assy

1

DRAWN BY p	DATE 26.05.2011	DRAWING NUMBER			REV 1
CHECKED BY p	DATE 26.05.2011	SIZE A4	DRAWING NUMBER		REV 1
DESIGNED BY pl	DATE 11.02.2011	SCALE 1:2	WEIGHT (g)	SHEET 1/1	

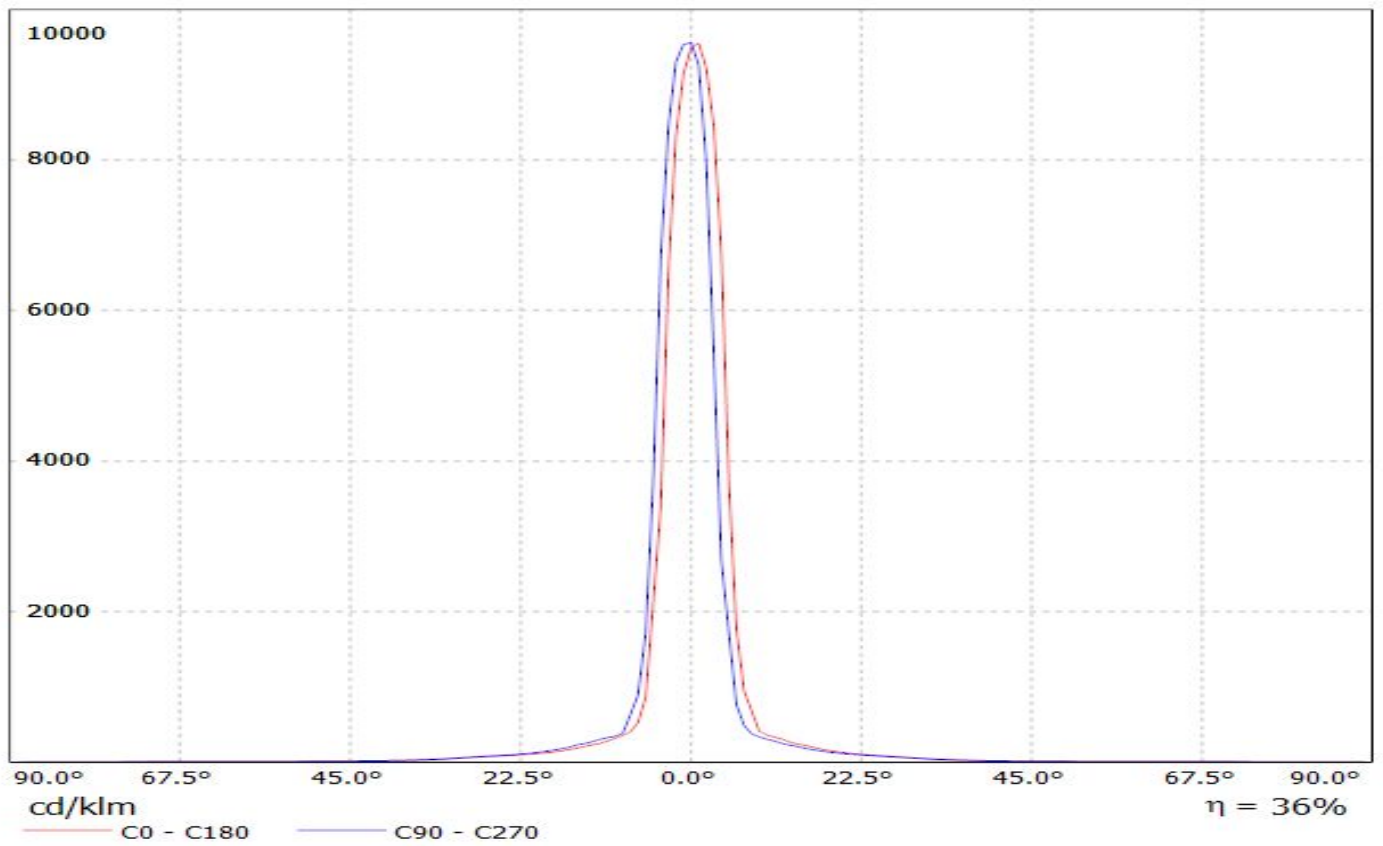
1

D

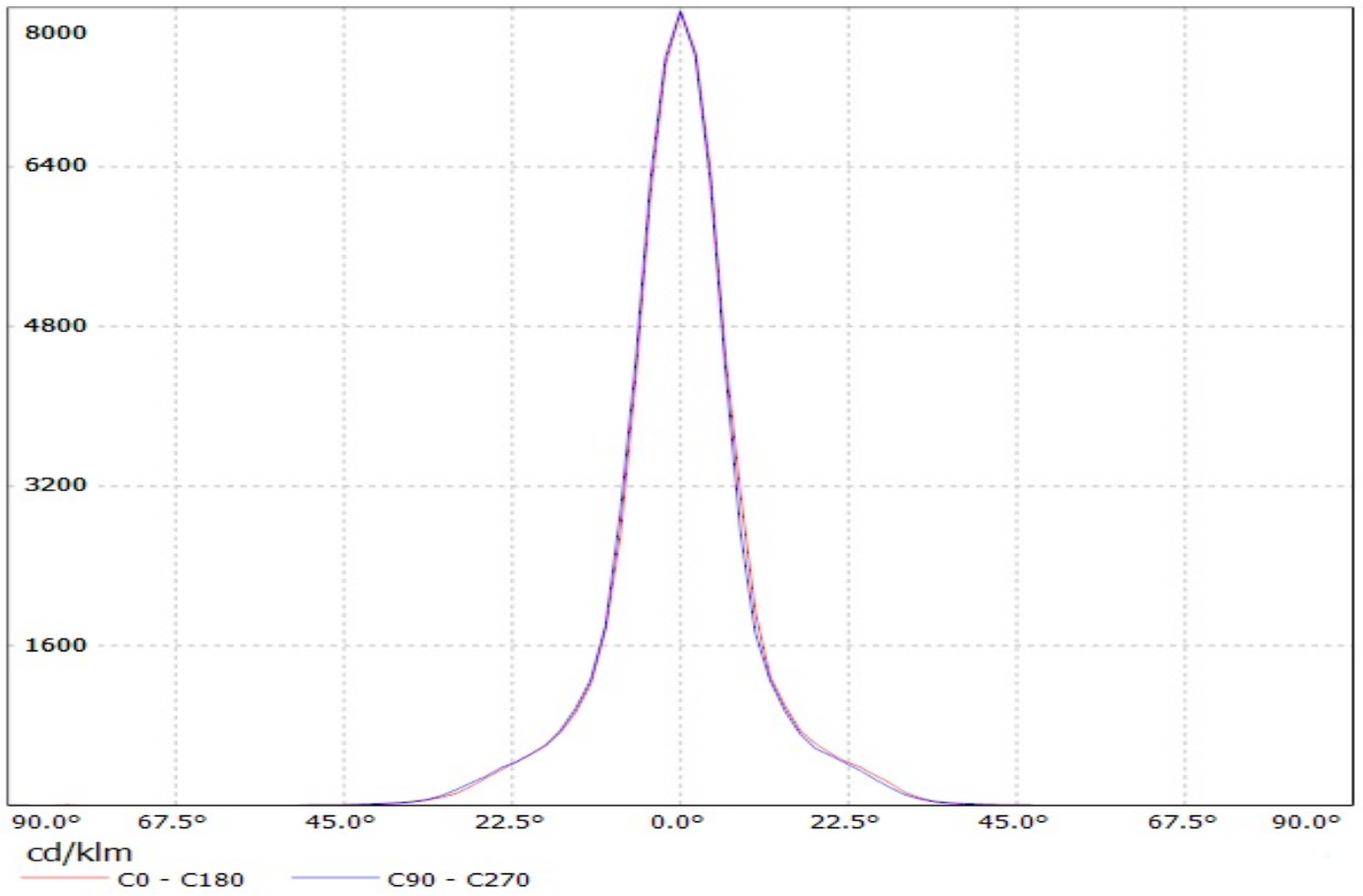
A

LEDiL Oy CN12367_LENA-FRESNEL-CL-L340 Eff.36.1% / LDC (Linear)

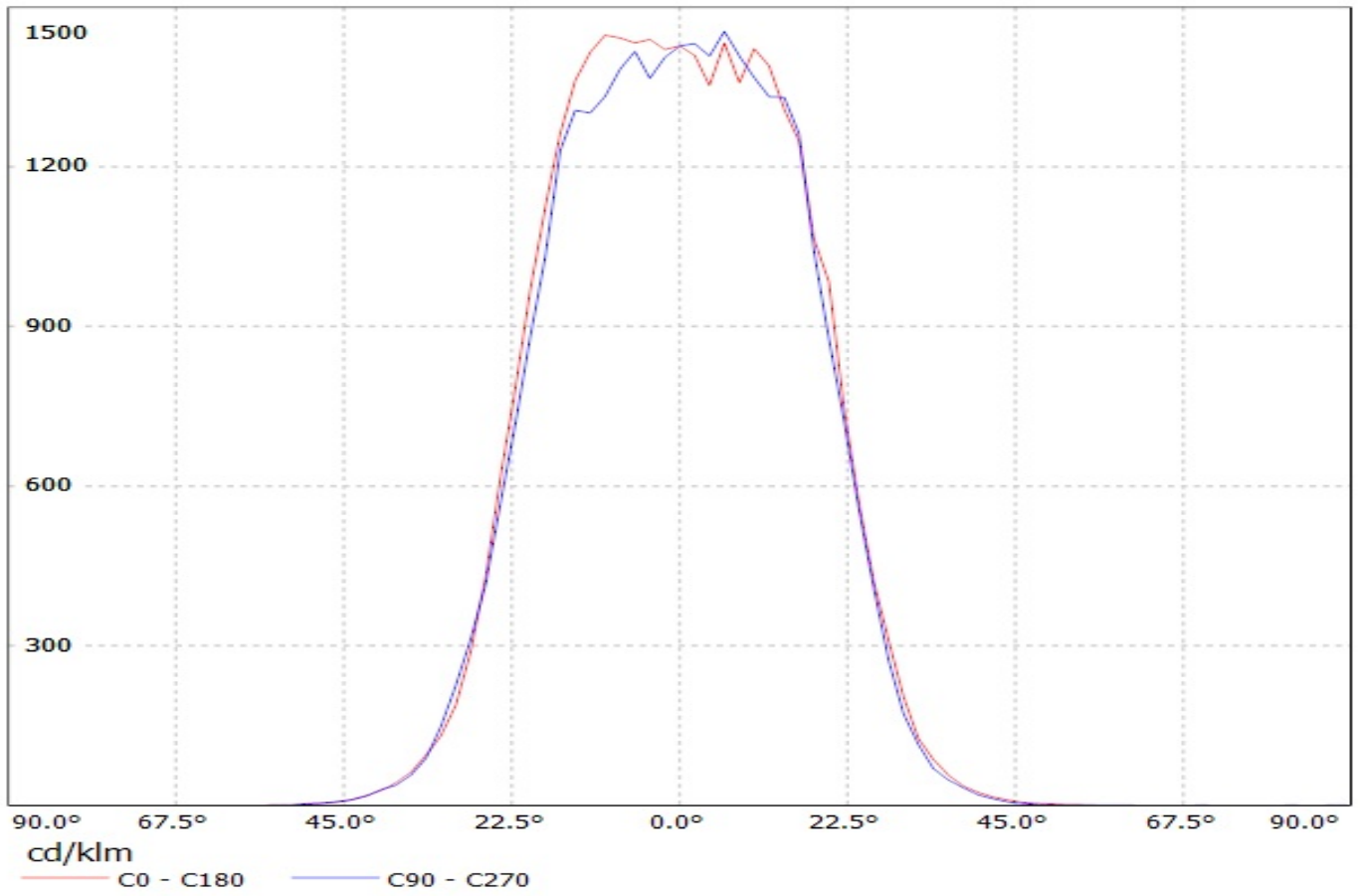
Luminaire: LEDiL Oy CN12367_LENA-FRESNEL-CL-L340 Eff.36.1%
Lamps: 1 x Citizen CL-340 (1151.01lm@250mA)



Luminaire: Ledil Oy CN12112_LENA-S-DL (Citizen CL-L340 1393lm @ 250mA) Efficiency=79%
Lamps: 1 x Citizen CL-L340 1393lm @ 250mA



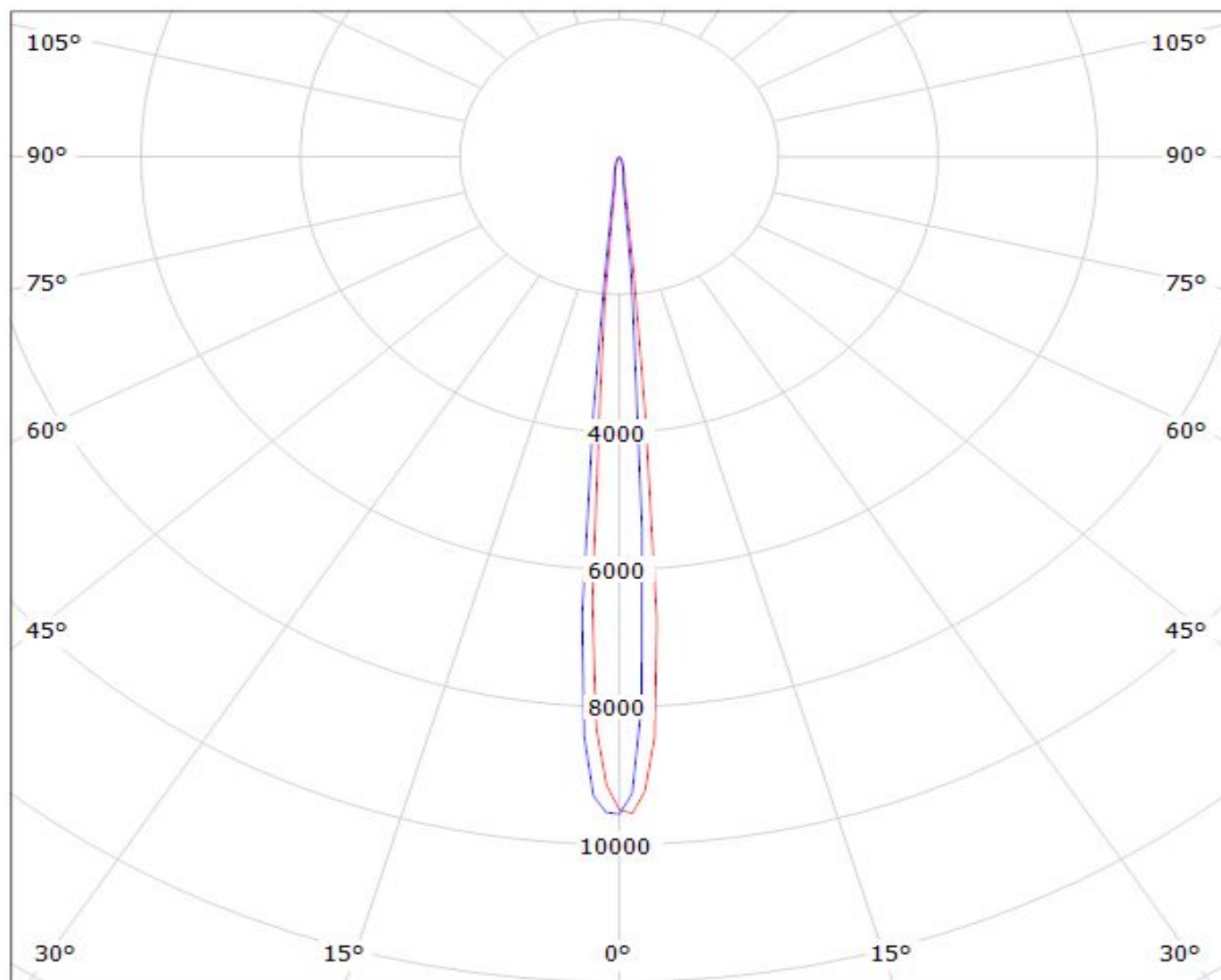
Luminaire: Ledil Oy CN12113_LENA-W-DL (Citizen CL-L340 1393lm @ 250mA) Efficiency=75%
Lamps: 1 x Citizen CL-L340 1393lm @ 250mA



LEDiL Oy CN12367_LENA-FRESNEL-CL-L340 Eff.36.1% / LDC (Polar)

Luminaire: LEDiL Oy CN12367_LENA-FRESNEL-CL-L340 Eff.36.1%

Lamps: 1 x Citizen CL-340 (1151.01lm@250mA)

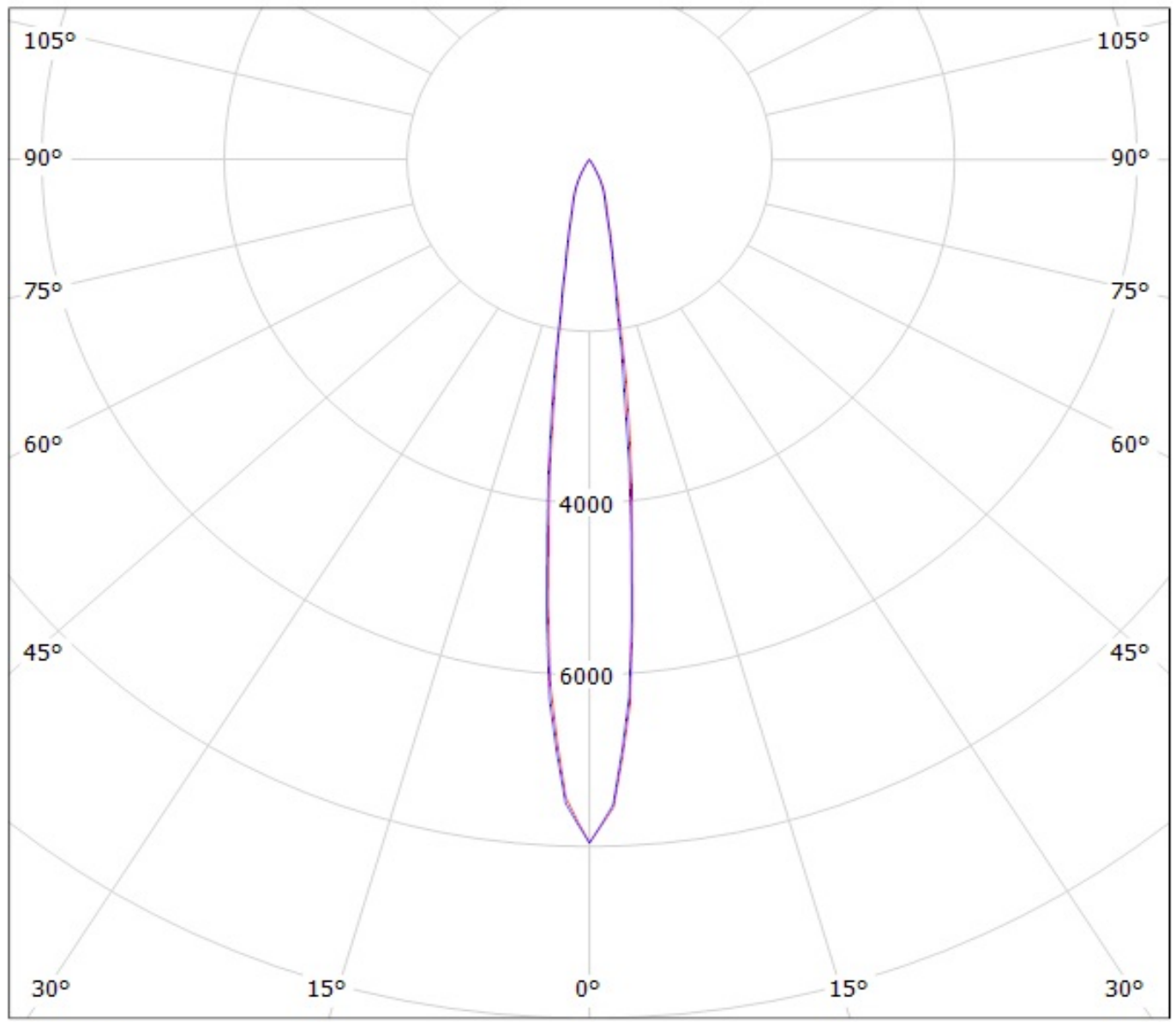


cd/klm

— C0 - C180 — C90 - C270

$\eta = 36\%$

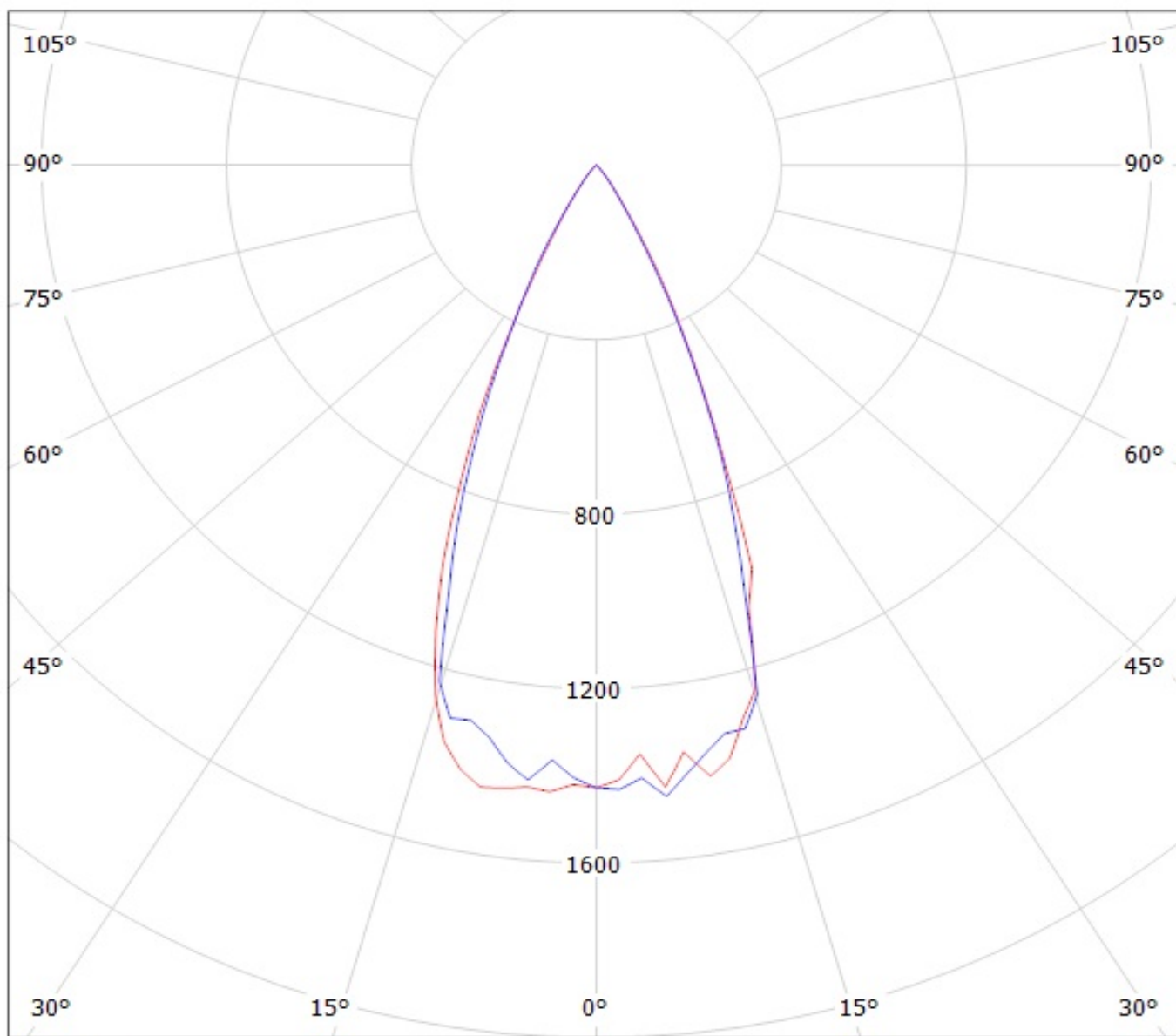
Luminaire: Ledil Oy CN12112_LENA-S-DL (Citizen CL-L340 1393lm @ 250mA) Efficiency=79%
Lamps: 1 x Citizen CL-L340 1393lm @ 250mA



cd/klm

— C0 - C180 — C90 - C270

Luminaire: Ledil Oy CN12113_LENA-W-DL (Citizen CL-L340 1393lm @ 250mA) Efficiency=75%
Lamps: 1 x Citizen CL-L340 1393lm @ 250mA



cd/klm

— C0 - C180

— C90 - C270