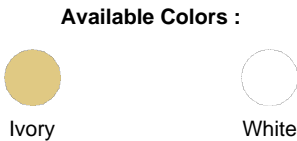




UPC Code : 078477240151

Country Of Origin : United States



CSB3-15

15 Amp, 120/277 Volt, Toggle 3-Way AC Quiet Switch, Commercial Spec Grade, Grounding, Back & Side Wired, - Brown

Leviton's Commercial Specification Grade switches are designed to offer outstanding reliability and top performance in commercial settings. Ideal applications include municipal facilities, government buildings, malls, department stores, hospital and health care facilities, office buildings, schools, colleges, universities, houses of worship and cultural institutions. Leviton offers a large selection of 15 and 20 Amp Commercial switches, available in a wide variety of colors, wiring options and other features.

Technical Information

AC Horsepower Ratings

HP Rating : 1/2HP-120V 2HP-240V-277V

Electrical Specifications

Amperage : 15 A

Dielectric Voltage : Withstands 1500V for 1 minute

Max. Amperage : 12 Amp

Temperature Rise : Maximum 30 degrees C rise

Voltage : 120/277 VAC

Environmental Specifications

Flammability : Rated V-2 per UL94

Operating Temperature : -40°C to 65°C

Material Specifications

Actuator Material : Thermoplastic

Base Material : PBT

Body Material : Thermoplastic

Color : Brown

Contacts : Silver-Cadmium .031 Thick

Cover Material : Nylon

Strap Material : Steel

Terminal Screws : Steel 8-32

Toggle : Polycarbonate

Mechanical Specifications

Product ID : Stamped on Strap

Terminal Accom. : 14-#10 AWG back wired; #14-#12 AWG side wired

Terminal ID : Brass-Hot, Green-Ground, Silver-Neutral

Termination : Back or Side Wire

Torque Range : 12-14 inch pounds

Product Features

Actuator Material : Thermoplastic

Color : Brown

Device Type : Toggle Switch

Function : 3-Way

Grade : Commercial Specification Grade

HP Rating : 1/2HP-120V 2HP-240V-277V

Voltage : 120/277 VAC

Warranty : 10-Year Limited

Standards and Certifications

ANSI : C-73

CSA C22.2 No. 111 : File #152105

NEMA : WD-1 & WD-6

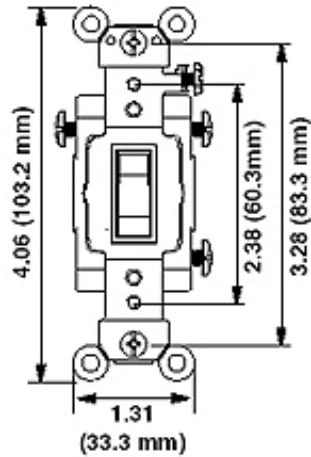
NOM : 057

UL Fed Spec WS896E : File #E7458

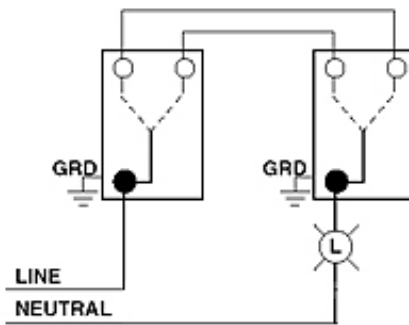
UL Standard : UL 20

Warranty : 10-Year Limited

Dimensional Diagram



Wiring Diagram 3-Way to 3-Way



SPECIFICATION SUBMITTAL

JOB NAME: <input type="text"/>	CATALOG NUMBERS: <input type="text"/>
JOB NUMBER: <input type="text"/>	<input type="text"/>

Leviton Manufacturing Co., Inc.

201 North Service Road, Melville, NY 11747

Telephone: +1-800-323-8920 · FAX: +1-800-832-9538 · Tech Line (8:30AM-7:30PM E.S.T. Monday-Friday):

+1-800-824-3005

Leviton Manufacturing of Canada, Ltd.

165 Hymus Boulevard, Pointe Claire, Quebec H9R 1E9 · Telephone: +1-800-469-7890 ·

FAX: +1-800-824-3005 · www.leviton.com/canada

Leviton S. de R.L. de C.V.

Lago Tana 43, Mexico DF, Mexico CP 11290 · Tel.: (+52)55-5082-1040 · FAX: (+52)5386-

1797 · www.leviton.com.mx

Visit our Website at: www.leviton.com

© 2018 Leviton Manufacturing Co., Inc. All Rights Reserved. Subject to change without notice.

Leviton has a global presence.

If you would like to know where your local Leviton office is located please go to:

www.leviton.com/international/contacts/

