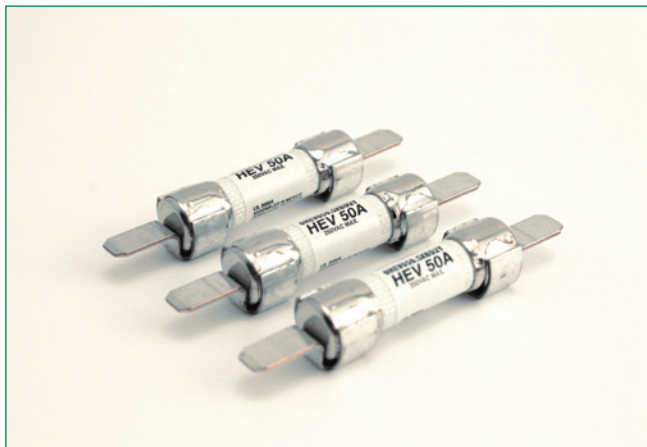


LC HEV FUSE 50A

RoHS



Specifications

Voltage Rating (50A):	250 VAC
Interrupting Rating (50A):	2,000A @ 250 VAC
Operating Temperature Range:	-40°C to +125°C

Ordering Information

Part Number	Termination	Package Size
0HEVxxx.SXBD2	Bolt Down	20
0HEVxxx.SXBD2Y	Blade	20

Description

The LC HEV fuse is designed for protection of high-voltage accessory circuits in electric and hybrid electric vehicles.

Time-Current Characteristics

% of Rating	Opening Time Min / Max (s)
100	100 hrs / -
110	4 hrs / -
135	-
150	-
200	0.5 / 100
300	0.1 / 15
500	0.05 / 1

Ratings

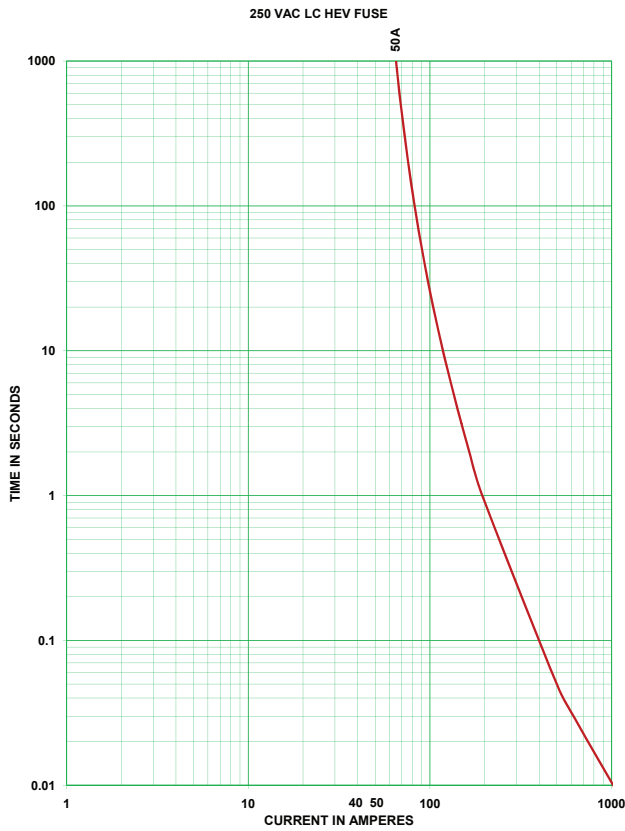
Part Number	Current Rating	Voltage Rating	Color Code	Typical Voltage Drop at 70% I _R	Maximum Voltage Drop Spec at 100% I _R	Cold Resistance	Minimum Melting I ² t
0HEV050.XXXX	50A	250 VAC	□	57 mV	200 mV	1.30 mOhm	1495 A ² s

Average Initial Measurements

LC HEV FUSE 50A

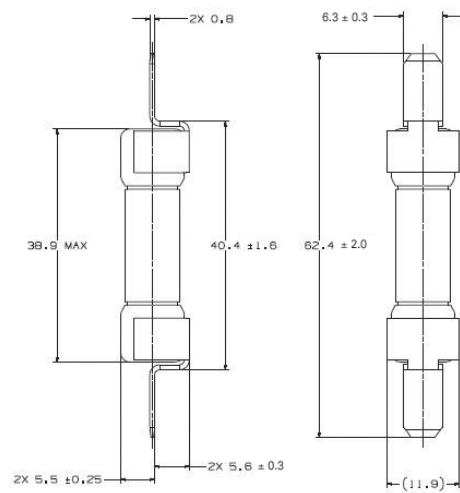
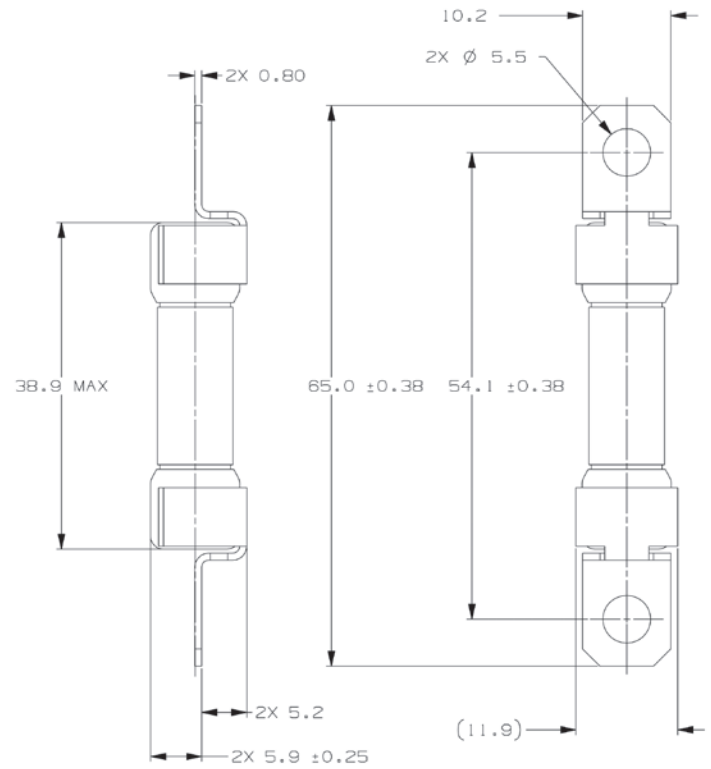
RoHS

Time-Current Characteristic Curves



Dimensions

Dimensions in mm



Mouser Electronics

Authorized Distributor

Click to View Pricing, Inventory, Delivery & Lifecycle Information:

Littelfuse:

[0HEV050.SXBD2Y](#) [0HEV040.SXBD2](#) [0HEV050.SXBD2](#) [0HEV040.SXBD2Y](#)