



Micro Commercial Components
 21201 Itasca Street Chatsworth
 CA 91311
 Phone: (818) 701-4933
 Fax: (818) 701-4939

RB421D

Features

- Low VF (VF=0.45V Typ at 100mA)
- High reliability
- Small surface mounting type (SMD3)

0.1 Amp Surface Mount Schottky Barrier Diode 40 Volts

Mechanical Data

- Case :SOT-346,Molded Plastic
- Low power rectification
- Silicon epitaxial planar

Maximum Ratings

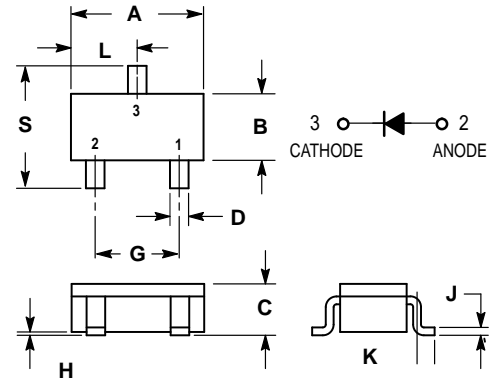
- Operating Junction Temperature: 125°C
- Storage Temperature: -40°C to +125°C

MCC Catalog Number	Device Marking	Maximum Recurrent Peak Reverse Voltage	Maximum RMS Voltage	Maximum DC Blocking Voltage
RB421D	D3C	40V	28V	40V

Electrical Characteristics @ 25°C Unless Otherwise Specified

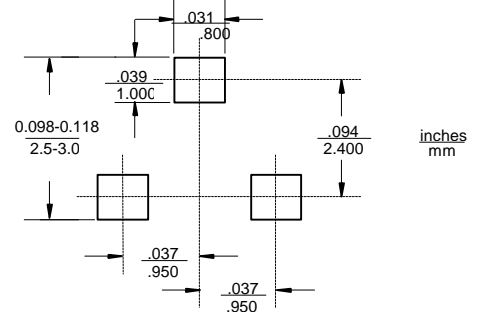
Average Forward Current	$I_{F(AV)}$	0.1A	$T_A = 25^\circ\text{C}$
Peak Forward Surge Current	I_{FSM}	1.0A	8.3ms, half sine
Maximum Forward Voltage	V_F	0.55V 0.34V	$I_{FM} = 100\text{mA}$ $I_{FM} = 10\text{mA}$ $T_A = 25^\circ\text{C}$
Maximum DC Reverse Current At Rated DC Blocking Voltage	I_R	30 μ A	$T_A = 25^\circ\text{C}$ $V_R=10\text{V}$

SOT-346



DIM	INCHES		MM		NOTE
	MIN	MAX	MIN	MAX	
A	.106	.122	2.70	3.10	
B	.051	.067	1.30	1.70	
C	.039	.051	1.00	1.30	
D	.014	.020	0.35	0.50	
G	.067	.091	1.70	2.30	
H	.000	.004	0.00	0.10	
J	.004	.010	0.10	0.26	
K	.008	.024	0.20	0.60	
L	.049	.065	1.25	1.65	
S	.089	.118	2.25	3.00	

Suggested Solder Pad Layout



RB421D

● Electrical characteristic curves (Ta = 25°C)

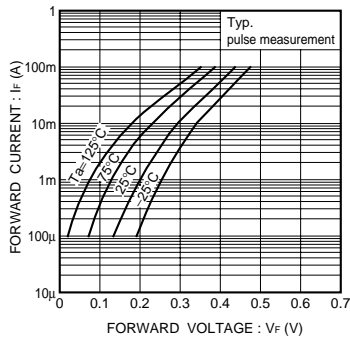


Fig. 1 Forward characteristics

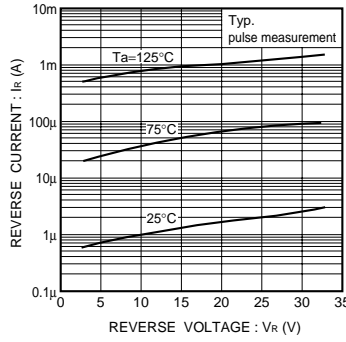


Fig. 2 Reverse characteristics

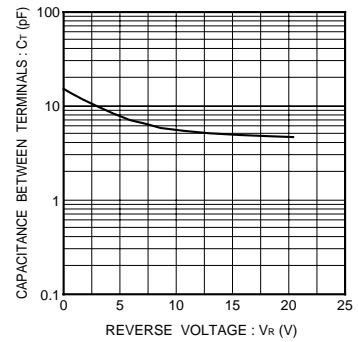


Fig. 3 Capacitance between terminals characteristics

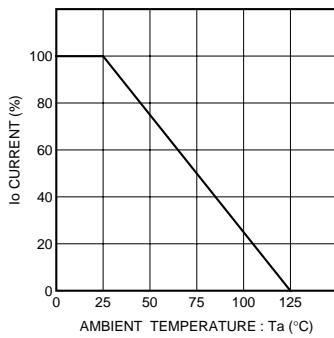


Fig. 4 Derating curve (mounting on glass epoxy PCBs)