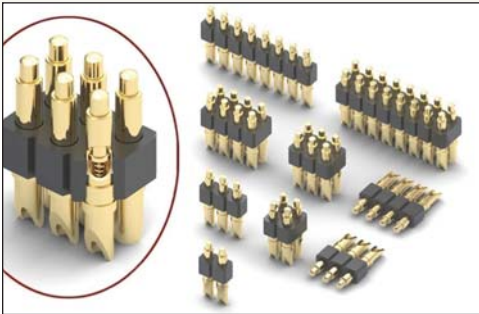


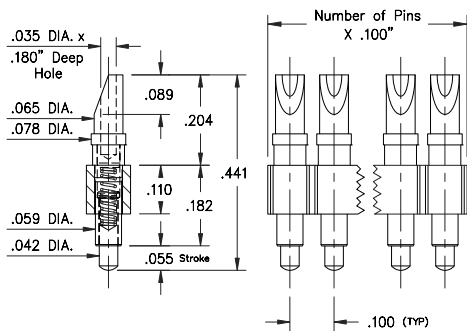
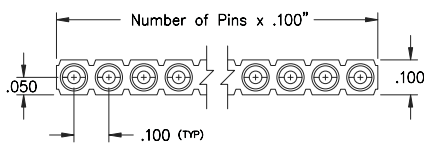
# SPRING-LOADED CONNECTORS

## SERIES 824 & 826 • .100" GRID SOLDERCUP HEADER • SINGLE AND DOUBLE ROW STRIPS

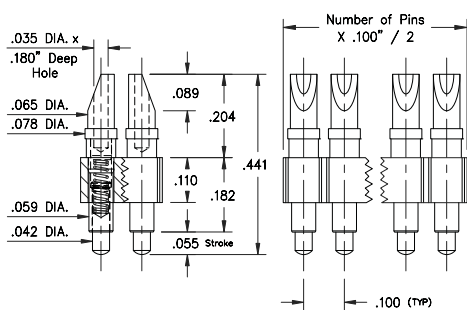
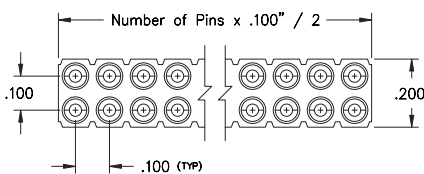


- Modular contacts for use on .100" grid, supplied in single and double row contact strips
- Precision-machined piston / base and gold-plated components assure a 1,000,000 cycle life durability
- Pistons have a .0275" mid. stroke and a .055" max. stroke
- Low resistance, high current contacts are rated at 2 amps continuous, 3 amps peak
- Insulators are high temperature thermoplastic
- Both 824 & 826 series strips have spring pins with wire termination soldercups. The soldercups are aligned to provide easy access for soldering up to size 22 AWG wires

### SINGLE ROW Series 824



### DOUBLE ROW Series 826



## ORDERING INFORMATION

### Single Row Series 824

824-22-0XX-00-001000

Specify number of contacts 01-64

### Double Row Series 826

826-22-0XX-00-001000

Specify number of contacts 04-72

## Technical Specifications

### Materials:

Contact piston & base: Machined copper alloy plated 20 $\mu$ " gold over 100 $\mu$ " nickel  
 Spring: Beryllium copper-plated 10 $\mu$ " gold  
 Insulator: High temperature thermoplastic, rated UL94 V-0

### Mechanical:

Spring force @ initial height: 25 grams  
 Spring force @ mid stroke (.0275"): 60 grams  
 Durability: 1,000,000 cycles

### Electrical:

Voltage rating: 100Vrms/150Vdc  
 Current rating: 2A (continuous), 3A (peak) per contact  
 Contact resistance: 20m $\Omega$  max.  
 Insulation resistance: 10,000M $\Omega$  min.  
 Dielectric strength: 700Vrms min.  
 Capacitance: 1pF max.

RoHS-2  
2011/65/EU



# Mouser Electronics

Authorized Distributor

Click to View Pricing, Inventory, Delivery & Lifecycle Information:

[Mill-Max:](#)

[824-22-064-00-001000](#) [826-22-064-00-001000](#) [826-22-072-00-001000](#)