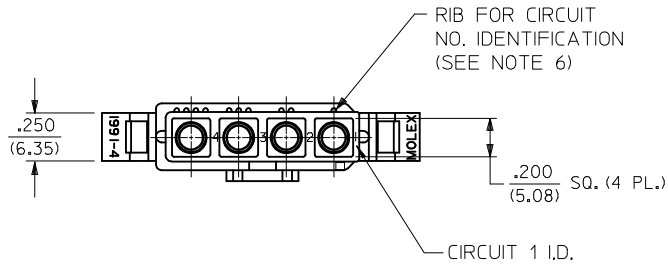
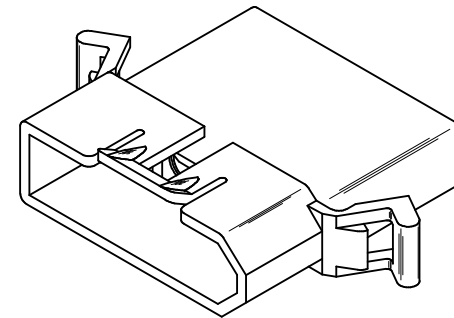
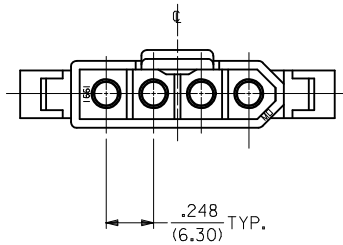
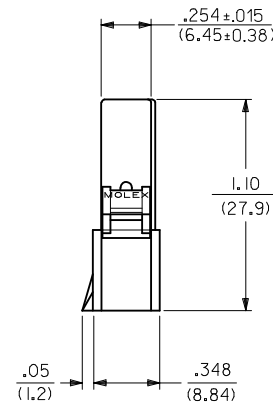
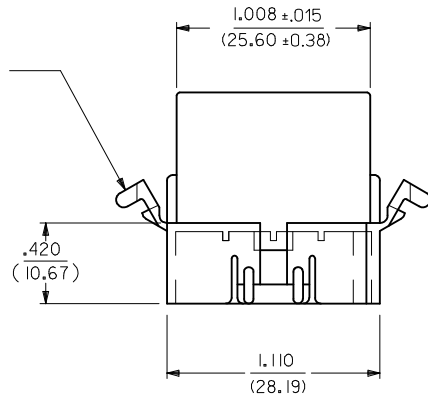


PLUG



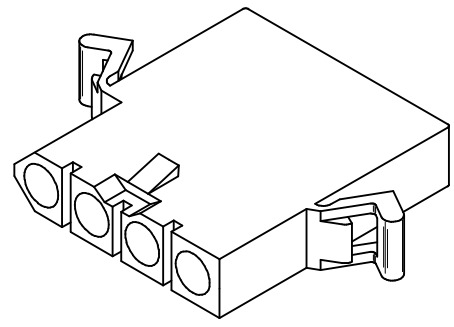
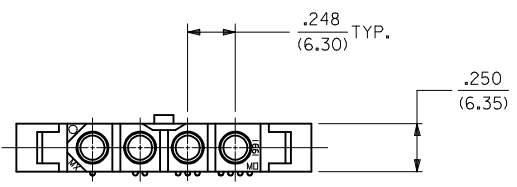
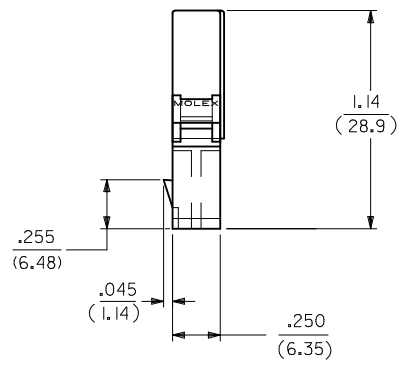
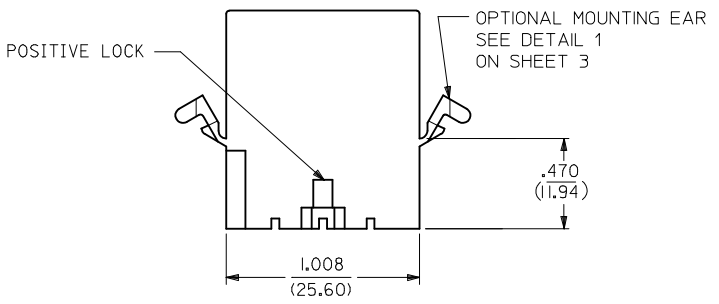
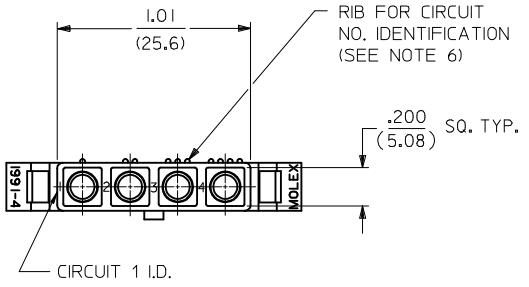
OPTIONAL MOUNTING EAR
SEE DETAIL 1
ON SHEET 3



PLUG HOUSING

RECEPTACLES OBSOLETE IEC NO: UCP2014-5354 DRWN: DFOX CHKD: HKIPPER APPR: FSMITH	2014/06/20 2014/06/20 2014/06/27	DESCRIPTION REV:	QUALITY SYMBOLS	GENERAL TOLERANCES (UNLESS SPECIFIED)	DIMENSION STYLE	SCALE	DESIGN UNITS	THIRD ANGLE PROJECTION
			∇=0 ∇=0 ∇=0	mm INCH 4 PLACES ± --- ± --- 3 PLACES ± --- ± .010 2 PLACES ± 0.25 ± .014 1 PLACE ± 0.35 ± --- 0 PLACE ± --- ± ---	IN/MM DRAWN BY DATE AELHAG 2007/06/23 CHECKED BY DATE LSCHMIDT 2007/07/23 APPROVED BY DATE FSMITH 2014/06/10	2:1	INCH	THIS DRAWING CONTAINS INFORMATION THAT IS PROPRIETARY TO MOLEX INCORPORATED AND SHOULD NOT BE USED WITHOUT WRITTEN PERMISSION
			ANGULAR ± 1 °	DRAFT WHERE APPLICABLE MUST REMAIN WITHIN DIMENSIONS	MATERIAL NO. SEE CHART	DOCUMENT NO. SD-1991-4**1	SHEET NO. 1 OF 3	
			A2					

RECEPTACLE



RECEPTACLE HOUSING

SEE SHEET 1 EC NO: UCP2014-5354 DRWN:JDFX 2014/06/20 CHKD:HKIPPER 2014/06/20 APPR:FSMITH 2014/06/27	QUALITY SYMBOLS	GENERAL TOLERANCES (UNLESS SPECIFIED)	DIMENSION STYLE	SCALE	DESIGN UNITS	THIRD ANGLE PROJECTION
	▽=0	mm INCH	IN/MM	2:1	INCH	
	▽=0	4 PLACES ± --- ± ---	DRAWN BY DATE	TITLE		
	▽=0	3 PLACES ± --- ± .010	AELHAG 2007/06/23	.093/(2.36) HOUSINGS, PLUG AND RECEPTACLE, 4 CKT, .248/(6.30) CTRS.		
▽=0	2 PLACES ± 0.25 ± .014	CHECKED BY DATE	mox DOCUMENT NO. SD-1991-4**1 SHEET NO. 2 OF 3			
	1 PLACE ± 0.35 ± ---	LSCHMIDT 2007/07/23				
	0 PLACE ± --- ± ---	APPROVED BY DATE	THIS DRAWING CONTAINS INFORMATION THAT IS PROPRIETARY TO MOLEX INCORPORATED AND SHOULD NOT BE USED WITHOUT WRITTEN PERMISSION			
		FSMITH 2014/06/10				
A2	DESCRIPTION	ANGULAR ± 1 °	SEE CHART			
		DRAFT WHERE APPLICABLE MUST REMAIN WITHIN DIMENSIONS				

PLUG		RECEPTACLE		
PART NO.	ENG. NO.	PART NO.	ENG. NO.	
50-36-1743	1991-4P1-1	50-36-1691	1991-4R1-1	OBSOLETE
50-36-1693	1991-4P2-1	50-36-1692	1991-4R2-1	OBSOLETE

LEGEND:

1991-4***-*

CIRCUIT SIZE

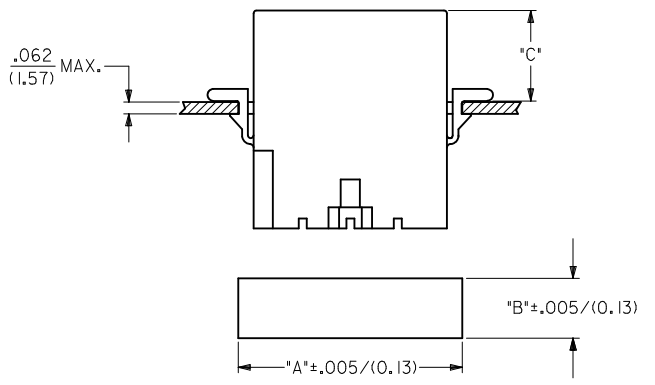
P = PLUG

R = RECEPTACLE

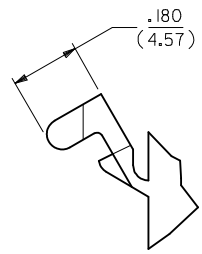
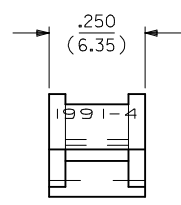
1 = WITHOUT EARS

2 = WITH PREBENT EARS, PER DETAIL 3

MATERIAL :
1 = CODE B



HOUSING	DIM. "A"	DIM. "B"	DIM. "C" STD.EAR	DIM. "C" PREBENT
PLUG	1.270/(32.26)	.365/(9.27)	.48/(12.2)	.52/(13.2)
RECEPTACLE	1.168/(29.67)	.311/(7.90)	.47/(11.9)	.51/(12.9)



DETAIL 1
PREBENT MOUNTING EAR
(SCALE 4:1)

- NOTES:
- 1. MATERIAL: B: NYLON (PA 6), UL94 V-0, GLOW WIRE CAPABLE PER IEC 60335-1, COLOR: BLACK
 - 2. FINISH: N/A
 - 3. PRODUCT SPECIFICATION: PS-02-09
 - 4. PACKAGING SPECIFICATION: PK-1991-001
 - 5. ACCEPTS MOLEX .093/(2.36) SERIES TERMINALS.
 - 6. CIRCUIT NUMBER IDENTIFICATION RIBS MAY OR MAY NOT BE PRESENT
 - 7. PARTS CONFORM TO CLASS B REQUIREMENTS OF COSMETIC SPECIFICATION: PS-45499-002 EXCEPT SINK AND DISCOLORATION MEETS CLASS 'C' REQUIREMENTS.

SEE SHEET 1 IEC NO: UCP2014-5354 DRWN:JDFX 2014/06/20 CHKD:HK/PPER 2014/06/20 APPR:FSM/TH 2014/06/27	QUALITY SYMBOLS	GENERAL TOLERANCES (UNLESS SPECIFIED)	DIMENSION STYLE IN/MM	SCALE 2:1	DESIGN UNITS INCH	THIRD ANGLE PROJECTION
	▽=0	mm INCH	DRAWN BY DATE AELHAG 2007/06/23	.093/(2.36) HOUSINGS, PLUG AND RECEPTACLE, 4 CKT, .248/(6.30) CTRS.		
	▽=0	4 PLACES ± --- ± ---	CHECKED BY DATE LSCHMIDT 2007/07/23			
	▽=0	3 PLACES ± --- ±.010	APPROVED BY DATE FSMITH 2014/06/10	MATERIAL NO. SEE CHART	DOCUMENT NO. SD-1991-4**1	SHEET NO. 3 OF 3
▽=0	2 PLACES ± 0.25 ±.014	DRAFT WHERE APPLICABLE MUST REMAIN WITHIN DIMENSIONS				
▽=0	1 PLACE ± 0.35 ± ---	THIS DRAWING CONTAINS INFORMATION THAT IS PROPRIETARY TO MOLEX INCORPORATED AND SHOULD NOT BE USED WITHOUT WRITTEN PERMISSION				
▽=0	0 PLACE ± --- ± ---	ANGULAR ± 1 °				