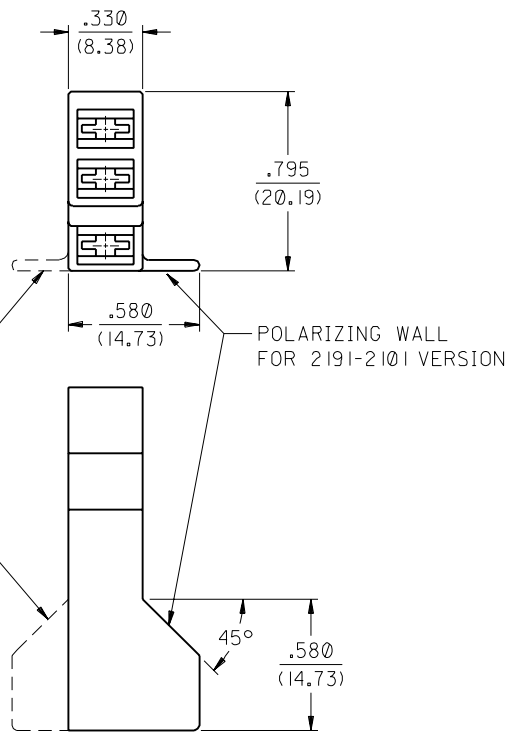
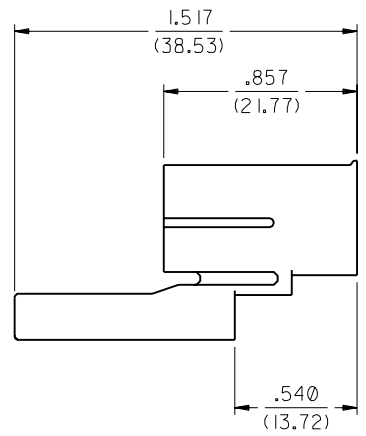
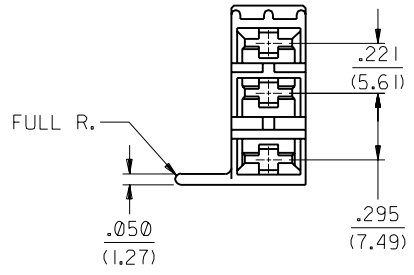
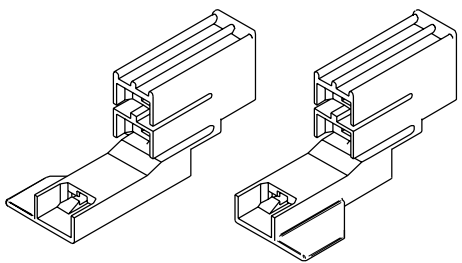


PART NUMBER	ENG. NO.	COLOR
006-02-9033	2191-2101	BLACK
006-02-9034	2191-2002	NATURAL



LOCATION OF POLARIZING WALL FOR 2191-2002 VERSION



2191-2101      2191-2002

NOTES:

- MATERIAL:  
NYLON 6/6, UL 94V-2  
COLOR: SEE CHART
- THIS HOUSING FOR USE WITH 2176 AND 2576 SERIES TERMINALS.
- ALL DIMENSIONS ARE FOR REFERENCE ONLY.

A	FINAL RELEASE ECN U70232 RUSHTON 8-30-96
I	X-RELEASE ECN U6 0632 95/12/19 GJK

MFG.	SH.	REV.	LTR.	REVISIONS
------	-----	------	------	-----------

DIMENSIONS SHOWN (METRIC) INCH	
UNLESS OTHERWISE SPECIFIED TOLERANCES: ANGULAR ± 1/2°	
	INCH METRIC
3 PLACE	± --- ---
2 PLACE	± --- ± ---
1 PLACE	--- ± ---
DRAFT WHERE APPLICABLE MUST REMAIN WITHIN DIMENSIONS	

▽ = 0    ▼ = 0    REVISE ONLY ON CAD SYSTEM

TITLE  
SWITCH CONNECTOR HOUSING, 3 CIRCUIT FLAT BLADE SYSTEM

MOLEX INCORPORATED SHEET NO. DATE  
LISLE, ILL. 60532 U.S.A. 1 OF 1 95/12/19

PART NO. SEE CHART DRWG. NO. SD-2191-2\*0\*

DRWG. BY GJK CHK'D. BY KBP  
APP'D. BY RAS SCALE 2 : 1

FILE NAME S2191X1.DGN THIS DRAWING CONTAINS INFORMATION THAT IS PROPRIETARY TO MOLEX INC. AND SHOULD NOT BE USED WITHOUT WRITTEN PERMISSION. DIV. CP SIZE B

# Mouser Electronics

Authorized Distributor

Click to View Pricing, Inventory, Delivery & Lifecycle Information:

[Molex:](#)

[06-02-9033](#)