

**PLEASE CHECK WWW.MOLEX.COM FOR LATEST PART INFORMATION**

**Part Number:** [0674910027](#)  
**Status:** **Planned for Obsolescence**  
**Overview:** [serial\\_ata\\_products](#)  
**Description:** 1.27mm (.050") Pitch Serial ATA High Speed Header, Through Hole, Vertical, 7 Circuits, 0.38µm (15µ") Gold (Au) Selective Plating, with 2.35mm (.093") PC Tail Length, Lead-free

**Documents:**

[3D Model](#) [Product Specification PS-67491-001 \(PDF\)](#)  
[Drawing \(PDF\)](#) [RoHS Certificate of Compliance \(PDF\)](#)

**General**

Product Family	PCB Headers
Series	<a href="#">67491</a>
Application	Board-to-Board, Signal, Wire-to-Board
Overview	<a href="#">serial_ata_products</a>
Product Name	Serial ATA

**Physical**

Breakaway	No
Circuits (Loaded)	7
Color - Resin	Black
Durability (mating cycles max)	50
First Mate / Last Break	Yes
Glow-Wire Compliant	No
Guide to Mating Part	No
Keying to Mating Part	Yes
Lock to Mating Part	Yes
Material - Plating Mating	Gold
Material - Plating Termination	Tin
Number of Rows	1
Orientation	Vertical
PC Tail Length	2.35mm (.093")
PCB Locator	Yes
PCB Retention	Yes
PCB Thickness - Recommended	1.60mm (.063")
Packaging Type	Tray
Pitch - Mating Interface	1.27mm (.050")
Pitch - Termination Interface	1.27mm (.050")
Plating min - Mating	0.381µm (15µ")
Plating min - Termination	1.270µm (50µ")
Polarized to Mating Part	Yes
Polarized to PCB	Yes
Shrouded	No
Stackable	No
Surface Mount Compatible (SMC)	No
Temperature Range - Operating	-35°C to +85°C
Termination Interface: Style	Through Hole

**Electrical**

Current - Maximum per Contact	1.5A
Voltage - Maximum	15V DC

**Solder Process Data**

Lead-free Process Capability	Wave Capable (TH only)
------------------------------	------------------------

**Material Info**

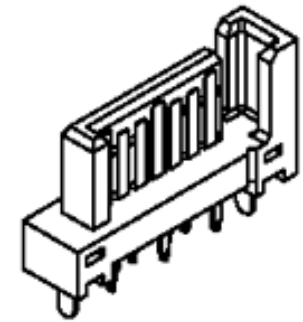


image - Reference only

Series

**EU RoHS**

**ELV and RoHS Compliant**

**REACH SVHC**

**Contains SVHC: No**  
**Low-Halogen Status**  
**Not Low-Halogen**

**China RoHS**



**Need more information on product environmental compliance?**

Email [productcompliance@molex.com](mailto:productcompliance@molex.com)  
 For a multiple part number RoHS Certificate of Compliance, [click here](#)

Please visit the [Contact Us](#) section for any non-product compliance questions.

**Search Parts in this Series**

[67491Series](#)

**Mates With**

Serial ATA Signal Connector [67489](#) , [88755](#)

**Reference - Drawing Numbers**

Product Specification  
Sales Drawing

PS-67491-001  
SD-67491-001

This document was generated on 05/18/2011

**PLEASE CHECK [WWW.MOLEX.COM](http://WWW.MOLEX.COM) FOR LATEST PART INFORMATION**