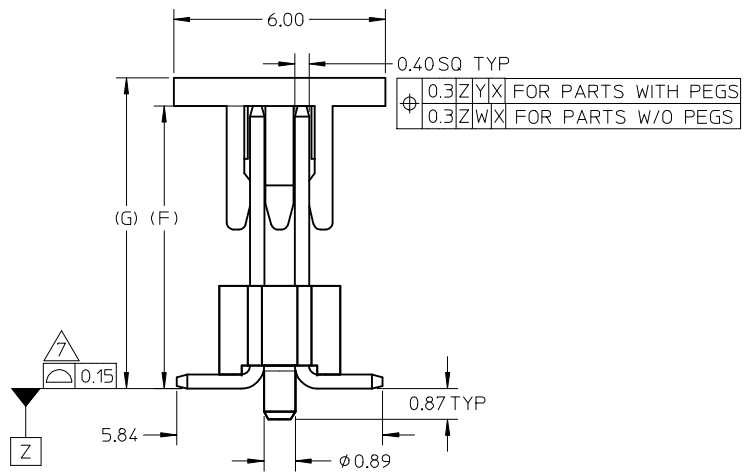
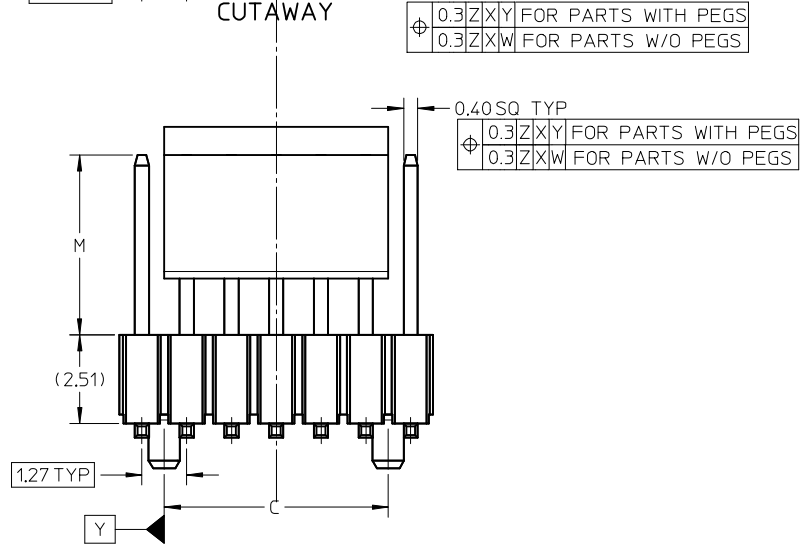
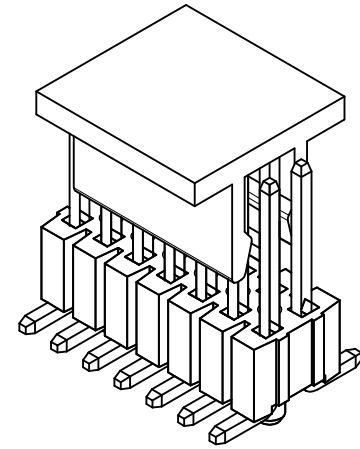
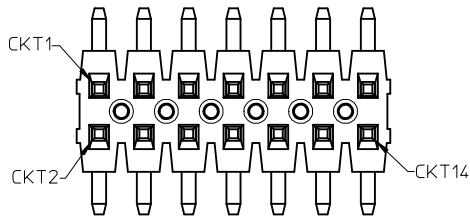


RECOMMENDED PCB LAYOUT: COMPONENT SIDE

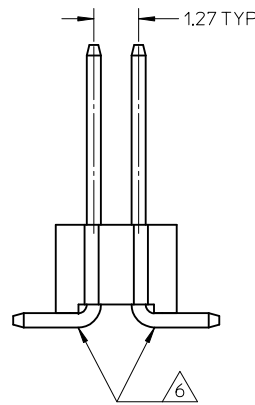
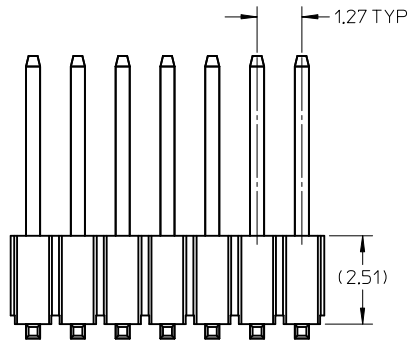


ADD 87933-1021 EC NO: S2015-0410 DRWN:CGOH CHKD:ATSEE APPR:KHLIM	2014/10/30 2014/12/01 2014/12/02	DESCRIPTION REV	QUALITY SYMBOLS	GENERAL TOLERANCES (UNLESS SPECIFIED)	DIMENSION STYLE	SCALE	DESIGN UNITS	THIRD ANGLE PROJECTION
			$F_A=0$ $F_G=0$ $F_P=0$	mm INCH 4 PLACES ± --- ± --- 3 PLACES ± --- ± --- 2 PLACES ± 0.20 ± --- 1 PLACE ± --- ± --- ANGULAR ± 3 °	MM ONLY	NTS	METRIC	
				DRAWN BY: SKLIM01 DATE: 2007/04/24 CHECKED BY: DATE: APPROVED BY: DATE: 2007/05/04 KWLEE 2007/05/04	TITLE	CUSTOM HEADER 1.27MM PITCH DUAL ROW HEADER,SINGLE WAFER,SMT		
			DRAFT WHERE APPLICABLE MUST REMAIN WITHIN DIMENSIONS	MATERIAL NO. DOCUMENT NO. SHEET NO. SEE TABLE SD-87933-100 1 OF 3	MOLEX INCORPORATED			

CIRCUITS POSITION CONFIGURATION



PART WITHOUT PEG AND CAP VERSION



NOTES:

1. MATERIAL:
 - HSG: LCP, GLASS-FILLED, UL94V-0, COLOR: BLACK
 - CAP: NYLON, GLASS-FILLED, UL94V-0, COLOR: BLACK
 - PIN: 0.40MM SQ, COPPER ALLOY
2. PLATING TYPE:
 - (1) GOLD FLASH OVER
1.25µm MIN. NICKEL OVERALL.
 - (2) GOLD FLASH ON CONTACT AND
2.50µm MIN. TIN ON SOLDER TAIL OVER
1.25µm MIN. NICKEL OVERALL.
 - (3) 0.38µm MIN. GOLD PLATE ON CONTACT AND
2.00µm MIN. TIN ON SOLDER TAIL OVER
1.25µm MIN. NICKEL OVERALL.
 - (4) 0.76µm MIN. GOLD PLATE ON CONTACT AND
2.00µm MIN. TIN ON SOLDER TAIL OVER
1.25µm MIN. NICKEL OVERALL.
 - (5) 2.50µm MIN. TIN OVERALL
1.25µm MIN. NICKEL OVERALL.
3. PACKAGING TYPE: SEE TABLE
4. PCB THICKNESS 1.60+/-0.10mm
5. PRODUCT SPECIFICATION: PS-87933-001
6. BEND DEPRESSION IS ACCEPTED SO LONG AS IT DOES NOT AFFECT THE OVERALL COPLANARITY OF TAIL
7. COPLANARITY IS TO BE MEASURED BY RESTING THE SOLDER TAIL ON A FLAT SURFACE
8. CAP POSITION TO BE LOCATED AT THE CENTER OF DIMENSION (A) REGARDLESS OF CIRCUIT SIZE
TOP SURFACE OF CAP TO BE FLAT FOR THE PURPOSE OF PICK & PLACE BY VACUUM SUCTION NOZZLE
9. IRREGULAR CIRCUIT CUTOFF WITHIN BREAKAWAY SECTION IS PERMISSIBLE. CUTTING OR CHIPPING OF THE MAIN BODY IS NOT ACCEPTABLE
10. PIN PUSH OUT FORCE: 0.4Kgf IN EITHER DIRECTION
11. THE ABOVE CKT 14 IS FOR ILLUSTRATION PURPOSE ONLY
12. PACKAGING SPECIFICATION:
 - T&R: PK-89990-567
 - TRAY: PK-89990-568/ PK-87933-300

ADD 87933-1021 EC NO: S2015-0410 DRWN:CGOH CHKD:ATSEE APPR:KHLIM	2014/10/30 2014/12/01 2014/12/02	DESCRIPTION REV	QUALITY SYMBOLS	GENERAL TOLERANCES (UNLESS SPECIFIED)		DIMENSION STYLE MM ONLY		SCALE NTS	DESIGN UNITS METRIC	THIRD ANGLE PROJECTION
	$F_A=0$ $F_G=0$ $F_P=0$		mm INCH 4 PLACES ± --- ± --- 3 PLACES ± --- ± --- 2 PLACES ± 0.20 ± --- 1 PLACE ± --- ± --- ANGULAR ± 3 °	DRAWN BY SKLIM01	DATE 2007/04/24	TITLE CUSTOM HEADER 1.27MM PITCH DUAL ROW HEADER,SINGLE WAFER,SMT				
	DRAFT WHERE APPLICABLE MUST REMAIN WITHIN DIMENSIONS		CHECKED BY CWLAM	DATE 2007/05/04	MOLEX INCORPORATED					
	SIZE A3		APPROVED BY KWLEE	DATE 2007/05/04	DOCUMENT NO. SD-87933-100	SHEET NO. 2 OF 3				

CKT SIZE	DIMENSION			PART NUMBER IN PACKAGIN OPTION					CKT SIZE	PEG	PLATE OPT.	VOID POSITION	DIMENSION		
	A	B	C	TRAY WITHOUT CAP	TRAY WITH CAP	TAPE & REEL WITH CAP	TUBE WITHOUT CAP	TUBE WITH CAP					G	F	MATING END M
04	2.54	1.27	-	-	-	87933-1021	-	-	10	NO	4	-	7.21	5.96	3.05
06	3.81	2.54	-	-	-	-	-	-	12	NO	3	-	7.21	5.96	3.05
08	5.08	3.81	-	-	-	87933-1228	-	-	20	NO	5	-	8.41	8.01	5.10
10	6.35	5.08	3.81	-	-	-	-	-	50	NO	3	-	7.21	5.96	3.05
12	7.62	6.35	-	-	-	-	-	-	-	-	-	-	-	-	-
14	8.89	7.62	-	-	-	-	-	-	-	-	-	-	-	-	-
16	10.16	8.89	-	-	-	-	-	-	-	-	-	-	-	-	-
18	11.43	10.16	-	-	-	-	-	-	-	-	-	-	-	-	-
20	12.70	11.43	10.16	-	-	-	-	-	-	-	-	-	-	-	-
22	13.97	12.70	-	-	-	-	-	-	-	-	-	-	-	-	-
24	15.24	13.97	-	-	-	-	-	-	-	-	-	-	-	-	-
26	16.51	15.24	-	-	-	-	-	-	-	-	-	-	-	-	-
28	17.78	16.51	-	-	-	-	-	-	-	-	-	-	-	-	-
30	19.05	17.78	16.51	-	-	-	-	-	-	-	-	-	-	-	-
32	20.32	19.05	-	-	-	-	-	-	-	-	-	-	-	-	-
34	21.59	20.32	-	-	-	-	-	-	-	-	-	-	-	-	-
36	22.86	21.59	-	-	-	-	-	-	-	-	-	-	-	-	-
38	24.13	22.86	-	-	-	-	-	-	-	-	-	-	-	-	-
40	25.40	24.13	22.86	-	-	-	-	-	-	-	-	-	-	-	-
42	26.67	25.40	-	-	-	-	-	-	-	-	-	-	-	-	-
44	27.94	26.67	-	-	-	-	-	-	-	-	-	-	-	-	-
46	29.21	27.94	-	-	-	-	-	-	-	-	-	-	-	-	-
48	30.48	29.21	-	-	-	-	-	-	-	-	-	-	-	-	-
50	31.75	30.48	29.21	-	-	-	-	-	-	-	-	-	-	-	-

ADD 87933-1021 EC NO: S2015-0410 DRWN:CGOH 2014/10/30 CHKD:ATSEE 2014/12/01 APPR:KHLIM 2014/12/02	QUALITY SYMBOLS	GENERAL TOLERANCES (UNLESS SPECIFIED)	DIMENSION STYLE	SCALE	DESIGN UNITS	THIRD ANGLE PROJECTION															
	$F_A=0$ $F_C=0$ $F_P=0$	<table border="1"> <tr><th colspan="2">mm</th><th>INCH</th></tr> <tr><td>4 PLACES</td><td>± ---</td><td>± ---</td></tr> <tr><td>3 PLACES</td><td>± ---</td><td>± ---</td></tr> <tr><td>2 PLACES</td><td>± 0.20</td><td>± ---</td></tr> <tr><td>1 PLACE</td><td>± ---</td><td>± ---</td></tr> </table>	mm		INCH	4 PLACES	± ---	± ---	3 PLACES	± ---	± ---	2 PLACES	± 0.20	± ---	1 PLACE	± ---	± ---	MM ONLY	NTS	METRIC	
	mm		INCH																		
	4 PLACES	± ---	± ---																		
3 PLACES	± ---	± ---																			
2 PLACES	± 0.20	± ---																			
1 PLACE	± ---	± ---																			
DESCRIPTION	ANGULAR ± 3 °	<table border="1"> <tr><th>DRAWN BY</th><th>DATE</th><th>TITLE</th></tr> <tr><td>SKLIM01</td><td>2007/04/24</td><td rowspan="3">CUSTOM HEADER 1.27MM PITCH DUAL ROW HEADER,SINGLE WAFER,SMT</td></tr> <tr><th>CHECKED BY</th><th>DATE</th></tr> <tr><td>CWLAM</td><td>2007/05/04</td></tr> <tr><th>APPROVED BY</th><th>DATE</th></tr> <tr><td>KWLEE</td><td>2007/05/04</td></tr> </table>	DRAWN BY	DATE	TITLE	SKLIM01	2007/04/24	CUSTOM HEADER 1.27MM PITCH DUAL ROW HEADER,SINGLE WAFER,SMT	CHECKED BY	DATE	CWLAM	2007/05/04	APPROVED BY	DATE	KWLEE	2007/05/04	MOLEX INCORPORATED				
DRAWN BY	DATE	TITLE																			
SKLIM01	2007/04/24	CUSTOM HEADER 1.27MM PITCH DUAL ROW HEADER,SINGLE WAFER,SMT																			
CHECKED BY	DATE																				
CWLAM	2007/05/04																				
APPROVED BY	DATE																				
KWLEE	2007/05/04																				
REV	DRAFT WHERE APPLICABLE MUST REMAIN WITHIN DIMENSIONS	SEE TABLE	MATERIAL NO.	DOCUMENT NO.	SHEET NO.																