

PLEASE CHECK WWW.MOLEX.COM FOR LATEST PART INFORMATION

Part Number: [35533-0200](#)
Status: **Active**
Overview: [Bulb Sockets](#)
Description: Bulb Socket Single Housing, Type A

Documents:

[3D Model](#) [Packaging Specification PK-35533-001 \(PDF\)](#)
[Drawing \(PDF\)](#) [RoHS Certificate of Compliance \(PDF\)](#)
[Product Specification PS-35532-001 \(PDF\)](#)

General

Product Family	Other Sockets
Series	35533
Comments	A-Type
Component Type	Socket
Overview	Bulb Sockets
Product Name	Bulb Socket
UPC	822348052899

Physical

Circuits (Loaded)	0
Circuits (maximum)	2
Color - Resin	Natural
Durability (mating cycles max)	50
Entry Angle	Vertical
Keying to Mating Part	None
Material - Resin	Nylon
Net Weight	5.521/g
PCB Locator	No
PCB Retention	N/A
Packaging Type	Bag
Pitch - Mating Interface	N/A
Temperature Range - Operating	-40°C to +105°C

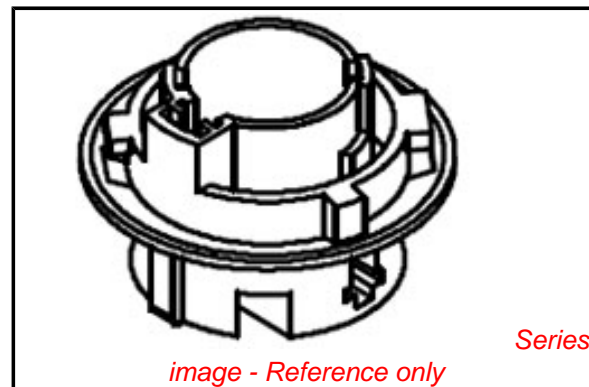
Electrical

Current - Maximum per Contact	7A
Voltage - Maximum	300V AC (RMS)/DC

Material Info

Reference - Drawing Numbers

Packaging Specification	PK-35533-001
Product Specification	PS-35532-001
Sales Drawing	SD-35533-001



EU RoHS

**ELV and RoHS
Compliant**
**REACH SVHC
Contains SVHC: No**
**Low-Halogen Status
Low-Halogen**

China RoHS



**Need more information on product
environmental compliance?**

Email productcompliance@molex.com
For a multiple part number RoHS Certificate of Compliance, [click here](#)

Please visit the [Contact Us](#) section for any non-product compliance questions.

Search Parts in this Series

[35533Series](#)

Use With

[35438](#) Positive Terminal for PT Bulb Socket,
[35439](#) Earth Terminal for PT Bulb Socket

Mouser Electronics

Authorized Distributor

Click to View Pricing, Inventory, Delivery & Lifecycle Information:

[Molex:](#)

[35533-0200](#)