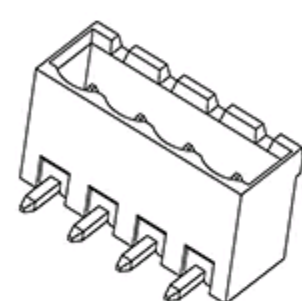


Home: Terminal Blocks >

Part Number: 39532-9108

5.08mm Pitch Eurostyle™ Horizontal PCB Header, with Standard Imprinting, Surface Mount Compatible, Green Housing, 8 Circuits



Series image - Reference only

Status:	OBSOLETE
Replacement:	Contact Molex
Series:	39532
Category:	Terminal Blocks

Go to [Part Detail](#)▼

CHECK DISTRIBUTOR INVENTORY

- [Add to My Parts](#)
- [Email this page](#)

Mates With Part(s):

[39530](#) Horizontal Plug, [39533](#) Vertical Plug, Most 5.08mm Pitch Industry Standard Plugs

Product Environmental Compliance

EU ELV:Product not active

EU RoHS:Product not active

EU RoHS Phthalates:Product not active

China RoHS:

REACH SVHC:Product not active

Low-Halogen Status:Product not active

[EU RoHS Certificate of Compliance \(PDF\)](#)

[Multiple Part Product Compliance Statements](#)
EU RoHS, REACH SVHC, & Low-Halogen

[Multiple Part Industry Compliance Documents](#)

- *IPC 1752A Class C
- *IPC 1752A Class D
- *Molex Product Compliance Declaration

Questions on Product Environmental Compliance? Email ProductCompliance@molex.com

Request Molex's CMRT from conflictminerals@molex.com

Part Detail

COLLAPSE ALL

▼ General

Status	Obsolete
Category	Terminal Blocks
Series	39532
Application	N/A
Comments	with Standard Imprinting
Component Type	PCB Header
Product Name	ESE, Eurostyle™ Pluggable
Type	Euro Block
UPC	822350520249

▼ Physical

Circuits (Loaded)	8
Entry Angle	N/A
Lock to Mating Part	Yes
Number of Rows	1
Orientation	Horizontal
PC Tail Length	5.08mm
PCB Thickness - Recommended	3.20mm
Panel Mount	No
Pitch - Mating Interface	5.08mm
Pitch - Termination Interface	5.08mm
Polarized to Mating Part	Yes
Shrouded	Closed Ends
Stackable	No
Surface Mount Compatible (SMC)	Yes
Temperature Range - Operating	-40°C to +140°C
Wire Size AWG	N/A

▼ Electrical

(Please review the Product Specification for specific details.)

Current - Maximum per Contact	15.0A
Voltage - Maximum	300V

▼ Agency Certification

Please find UL Certificates by searching the UL Database using the Molex Series Number. [Click here to visit the UL Database](#)

UL	E48521
----	--------

▼ Solder Process Data

Solderability Shelf Life Statement

Lead-free Process Capability	N/A
------------------------------	-----

Application Tooling

[FAQ](#)

Tooling specifications and manuals are found by selecting the products below.

Crimp Height Specifications are then contained in the Application Tooling Specification document.

Previously Available Application Tooling

[Check our list of old tooling that used to be available for this part](#)

PRODUCTS

- Antennas
- Application Tooling
- Cable Assemblies
- Connected Lighting
- Connectors
- Copper Flex
- Electrical Products
- Industrial Automation
- Membrane Switches
- Optical Solutions
- Printed Electronic Solutions

QUICK LINKS

- Company Information
- Contact Molex
- Cross-Reference
- Koch Industries
- Industries
- Investor Relations
- Literature
- Molex Racing
- Press Room / Press Releases
- Product Index
- Sitemap
- Terms & Conditions

RESOURCES

- Supply Chain Transparency
- Business Continuity
- Compliance
- ecocare
- Feedback | Help
- Jobs
- Legal | Trademarks
- Mobile Site
- Supplier Portal
- Privacy Policy
- Tradeshows

STAY CONNECTED

