

PLEASE CHECK WWW.MOLEX.COM FOR LATEST PART INFORMATION

Part Number: **0494820519**
Status: **Obsolete**
Description: 1.50mm (.059") Pitch Mini CT Wire-to-Board Header, 5 Circuits, UL94V-0, Natural

Documents:
[Drawing \(PDF\)](#)

Agency Certification

UL E29179

General

Product Family PCB Headers
 Series [49482](#)
 Application Signal, Wire-to-Board
 Comments Polarized to mating Part. See SD for Mating Housing
 Product Name Mini CT

Physical

Breakaway No
 Circuits (Loaded) 5
 Circuits (maximum) 5
 Color - Resin Natural
 Durability (mating cycles max) 30
 First Mate / Last Break No
 Flammability 94V-0
 Glow-Wire Compliant No
 Guide to Mating Part No
 Keying to Mating Part None
 Lock to Mating Part Yes
 Material - Metal Copper
 Material - Plating Mating Tin
 Material - Plating Termination Tin
 Material - Resin Nylon
 Number of Rows 1
 Orientation Vertical
 PC Tail Length 3.00mm (.118")
 PCB Locator No
 PCB Retention Yes
 PCB Thickness - Recommended 1.60mm (.063")
 Packaging Type Tube
 Pitch - Mating Interface 1.50mm (.059")
 Polarized to Mating Part Yes
 Polarized to PCB No
 Shrouded No
 Stackable No
 Surface Mount Compatible (SMC) N/A
 Temperature Range - Operating -30°C to +105°C
 Termination Interface: Style Through Hole

Electrical

Current - Maximum per Contact 2A
 Voltage - Maximum 50V

Material Info

Reference - Drawing Numbers

Packaging Specification PK-49482-001

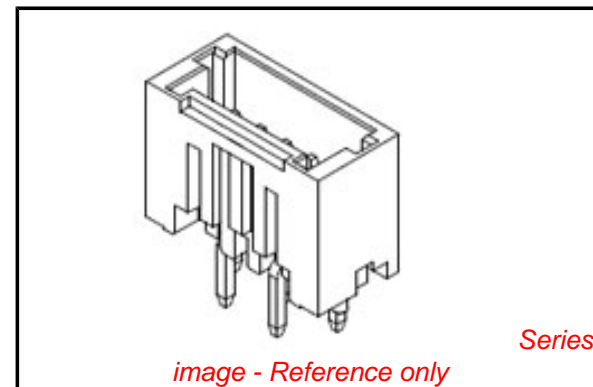


image - Reference only

EU RoHS **China RoHS**

Compliance Status

Not Reviewed

REACH SVHC

Not Reviewed

Low-Halogen Status

Not Reviewed

Need more information on product environmental compliance?

Email productcompliance@molex.com
 For a multiple part number RoHS Certificate of Compliance, [click here](#)

Please visit the [Contact Us](#) section for any non-product compliance questions.

Search Parts in this Series

[49482Series](#)

This document was generated on 03/07/2011

PLEASE CHECK WWW.MOLEX.COM FOR LATEST PART INFORMATION