

FOR 3~12CKTS.

FOR 13~17CKTS.

(ONLY COVER SHAPE IS DIFFERENT FROM 3~12CKTS.)

NOTES: 1. MATERIAL

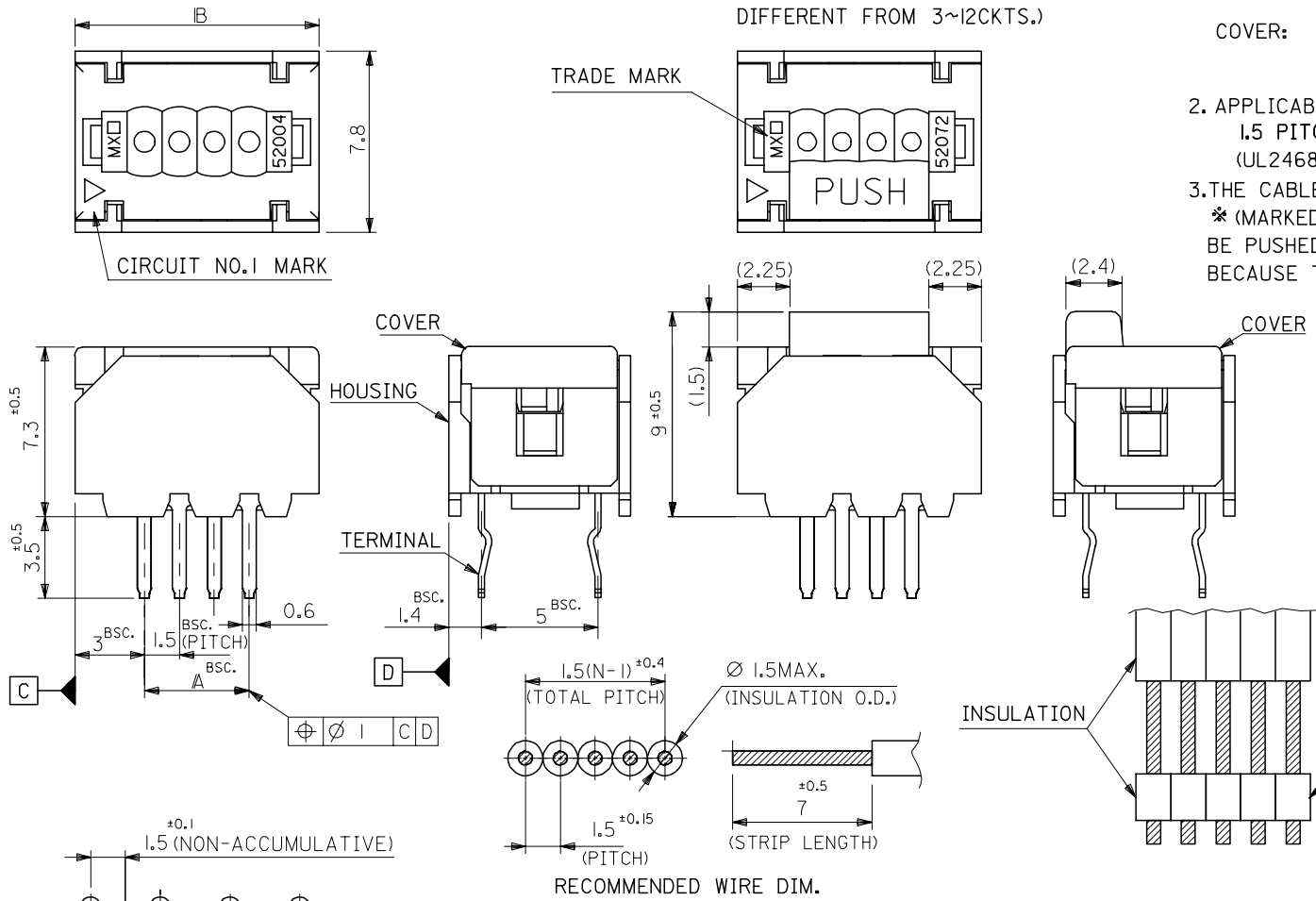
TERMINAL: PHOS-BRO, TIN-PLATED. (t=0.254)
 HOUSING: PBT(15%G.F.), UL94V-0
 G.E. PLASTICS JAPAN LTD.
 VALOX DR-48 UL FILE NO. E45587
 COVER: PBT(30%G.F.), UL94V-0
 G.E. PLASTICS JAPAN LTD.
 VALOX 420-SEO UL FILE NO. E45587

2. APPLICABLE WIRE

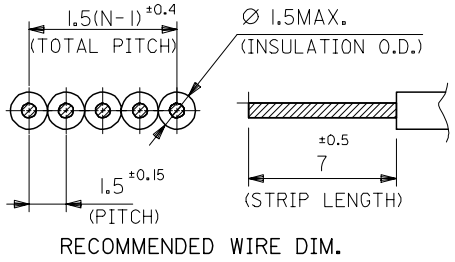
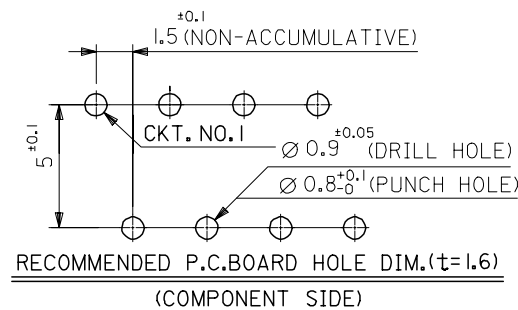
1.5 PITCH RIBBON CABLE
 (UL2468, AWG#24~#26 TOP-COATED WIRE)

3. THE CABLE STRIPED AS SHOWN IN THE FIG.,

* (MARKED INSULATION) PART SHOULD NOT BE PUSHED AND SLID DIRECTLY BY THE COVER, BECAUSE THE COVER MAY BE POSSIBLY PUSHED DOWN.



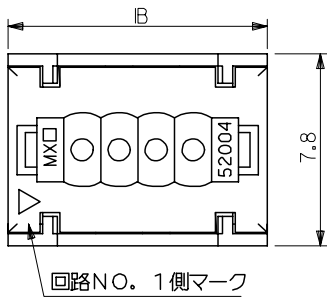
30	24	52004-1710	17
28.5	22.5	-1610	16
27	21	-1510	15
25.5	19.5	-1410	14
24	18	-1310	13
22.5	16.5	-1210	12
21	15	-1110	11
19.5	13.5	-1010	10
18	12	-0910	9
16.5	10.5	-0810	8
15	9	-0710	7
13.5	7.5	-0610	6
12	6	-0510	5
10.5	4.5	-0410	4
9	3	-0310	3
IB	A	52004-0310	3
		ENG. NO.	極数



REVISED ECNO: J2004-4815 DRAWN: IDA 2004/08/05 CHK: KHTAKASE 2004/08/05 APPR: JMIYAZAW 2004/08/17	GENERAL TOLERANCES (UNLESS SPECIFIED)		DIMENSION STYLE MM ONLY		SCALE 5:1	DESIGN UNITS METRIC	THIRD ANGLE PROJECTION	
	10 UNDER	±0.2	DRAWN BY	DATE	TITLE 1.5 WIRE TRAP CONN.			
	10 OVER 30 UNDER	±0.25	SKUNISHI	86/08/27				
	30 OVER	±0.3	CHECKED BY	DATE				
		HII	93/01/18	APPROVED BY MFUKUSHIMA 93/01/18				
		ANGULAR ±3 °		MATERIAL NO. SEE CHART		DOCUMENT NO. SD-52004-**10		SHEET NO. 1 OF 2
DRAFT WHERE APPLICABLE MUST REMAIN WITHIN DIMENSIONS								
THIS DRAWING CONTAINS INFORMATION THAT IS PROPRIETARY TO MOLEX INCORPORATED AND SHOULD NOT BE USED WITHOUT WRITTEN PERMISSION								

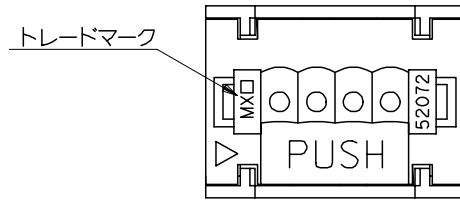
10 9 8 7 6 5 4 3 2 1

3極から12極の形状



13極から17極の形状

(カバーの形状のみ異なる)



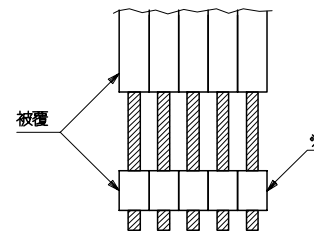
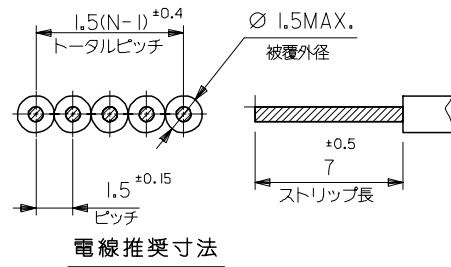
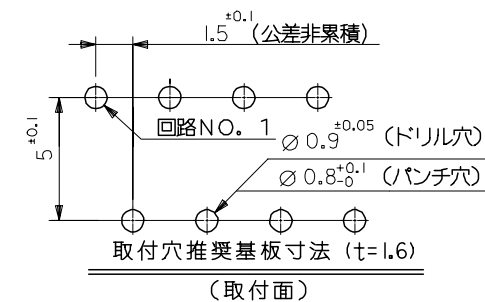
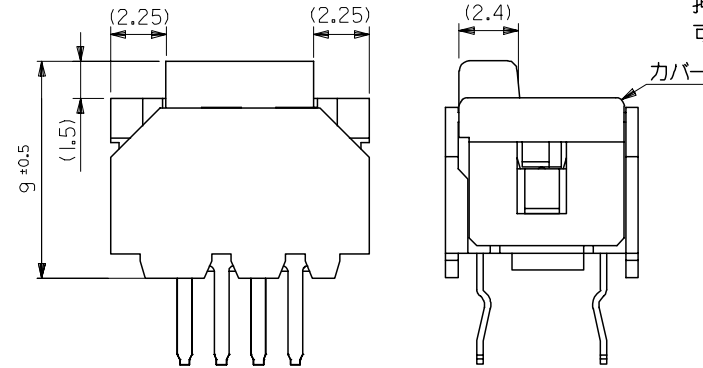
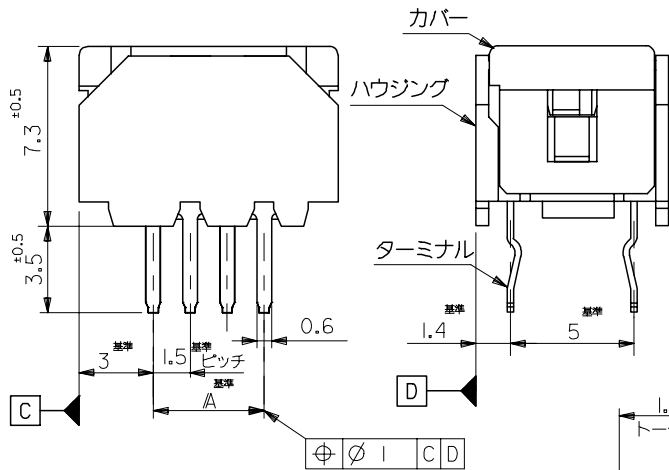
(注記) 1. 材質

ターミナル: 磷青銅材, 錫メッキ (t=0.254)
 ハウジング: PBT(15%G.F.), UL94V-0
 G.E. PLASTICS JAPAN LTD.
 VALOX DR-48 UL FILE NO. E45587
 カバー: PBT(30%G.F.), UL94V-0
 G.E. PLASTICS JAPAN LTD.
 VALOX 420-SEO UL FILE NO. E45587

2. 適用電線

1. 5mmピッチリボンケーブル。
 (UL 2468、AWG#24~#26錫コート線)

3. 下図の様な端末処理ケーブルにて、*部を直接カバーに押し付けスライドさせる使用法はカバーが押し下げられる可能性があるため不可。



30	24	52004-1710	17
28.5	22.5	-1610	16
27	21	-1510	15
25.5	19.5	-1410	14
24	18	-1310	13
22.5	16.5	-1210	12
21	15	-1110	11
19.5	13.5	-1010	10
18	12	-0910	9
16.5	10.5	-0810	8
15	9	-0710	7
13.5	7.5	-0610	6
10.5	4.5	-0410	4
9	3	-0310	3
IB	A	52004-0310	極数

REVISED ECNNO: J2004-4815 DRAWN: IDA 2004/08/05 CHK: KHTAKASE 2004/08/05 APPR: JMIYAZAW 2004/08/17	GENERAL TOLERANCES (UNLESS SPECIFIED)		DIMENSION STYLE MM ONLY		SCALE 5:1	DESIGN UNITS METRIC	THIRD ANGLE PROJECTION	
	10 UNDER ±0.2	10 OVER 30 UNDER ±0.25	30 OVER ±0.3	ANGULAR ±3 °	DRAWN BY SKUNISHI 86/08/27	DATE 93/01/18	TITLE 1.5 WIRE TRAP CONN. (JAPAN)	
	DRAFT WHERE APPLICABLE MUST REMAIN WITHIN DIMENSIONS			SEE CHART	APPROVED BY MFUKUSHIMA 93/01/18	DATE 93/01/18	MOLEX INCORPORATED	
	MATERIAL NO.				DOCUMENT NO. SD-52004-**10		SHEET NO. 2 OF 2	

ZF06100.0241452004.506:1

Mouser Electronics

Authorized Distributor

Click to View Pricing, Inventory, Delivery & Lifecycle Information:

[Molex:](#)

[52004-0510](#) [52004-0810](#) [52004-1110](#)