

PLEASE CHECK WWW.MOLEX.COM FOR LATEST PART INFORMATION

Part Number: [53649-1475](#)
Status: **Active**
Overview: SlimStack™ 0.635mm Pitch
Description: 0.635mm Pitch SlimStack™ Plug, Surface Mount, Dual Row, Vertical Stacking, 9.00 and 15.00mm Stacking Heights, Lead-Free, 80 Circuits, with Tube Packaging

Documents:

[3D Model](#) [Product Specification PS-52760-015 \(PDF\)](#)
[Drawing \(PDF\)](#) [RoHS Certificate of Compliance \(PDF\)](#)

General

| | |
|----------------|--|
| Product Family | PCB Headers |
| Series | 53649 |
| Application | Board-to-Board, Signal |
| Comments | Stacking-Type |
| Overview | SlimStack™ 0.635mm Pitch |
| Product Name | SlimStack™ |

Physical

| | |
|--------------------------------|---|
| Breakaway | No |
| Circuits (Loaded) | 140 |
| Circuits (maximum) | 140 |
| Color - Resin | Natural |
| Durability (mating cycles max) | 50 |
| First Mate / Last Break | No |
| Glow-Wire Compliant | No |
| Guide to Mating Part | No |
| Keying to Mating Part | None |
| Lock to Mating Part | Yes |
| Mated Height | 15.00mm, 9.00mm |
| Material - Metal | Brass, Phosphor Bronze, Stainless Steel |
| Material - Plating Mating | Gold |
| Material - Plating Termination | Tin |
| Material - Resin | High Temperature Thermoplastic |
| Number of Rows | 2 |
| Orientation | Vertical |
| PCB Locator | Yes |
| PCB Retention | Yes |
| Packaging Type | Tube |
| Pitch - Mating Interface | 0.64mm |
| Plating min - Mating | 0.254µm |
| Plating min - Termination | 2.032µm |
| Polarized to PCB | Yes |
| Robotic Placement | Metal Cap |
| Shrouded | Fully |
| Stackable | No |
| Temperature Range - Operating | -55°C to +85°C |
| Termination Interface: Style | Surface Mount |

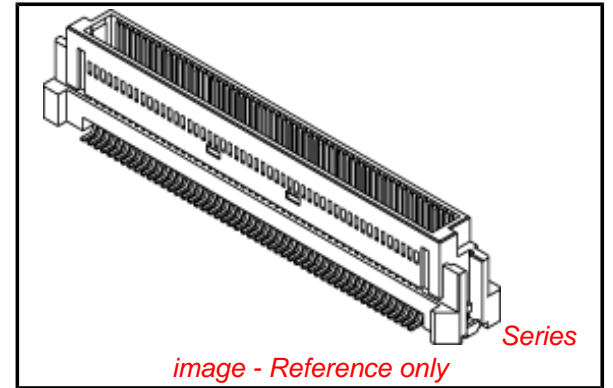
Electrical

| | |
|-------------------------------|------|
| Current - Maximum per Contact | 0.5A |
| Voltage - Maximum | 100V |

Material Info

| | |
|-----|--------------|
| UPC | 822348404681 |
|-----|--------------|

Reference - Drawing Numbers



EU RoHS

ELV and RoHS Compliant

REACH SVHC

Contains SVHC: No
Low-Halogen Status
Not Reviewed

China RoHS



Need more information on product environmental compliance?

Email productcompliance@molex.com
 For a multiple part number RoHS Certificate of Compliance, [click here](#)

Please visit the [Contact Us](#) section for any non-product compliance questions.

Search Parts in this Series

[53649Series](#)

Mates With

SlimStack™ Receptacle [52760](#) , [52837](#) , [52885](#) , [52901](#)

Product Specification

Sales Drawing

PS-52760-015, RPS-52760-017, RPS-52760-018,
RPS-52760-020, RPS-52760-021, RPS-52760-029
SD-53649-004, SD-53649-006

This document was generated on 07/13/2012

PLEASE CHECK WWW.MOLEX.COM FOR LATEST PART INFORMATION

Mouser Electronics

Authorized Distributor

Click to View Pricing, Inventory, Delivery & Lifecycle Information:

[Molex:](#)

[53649-1475](#)