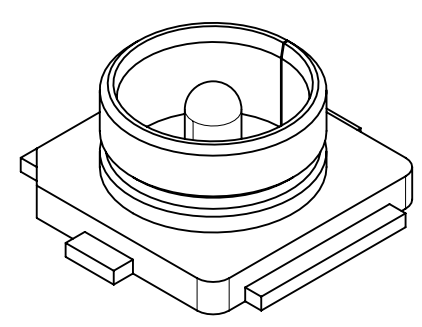


MATERIAL AND FINISHES:

BASE: LCP E6808 UHF
 CONTACT: BRASS
 C2680 (t=0.15)
 PLATED: GOLD (0.03 MICROMETER MINIMUM) OVER NICKEL (1~4 MICROMETER)
 OUTER CONTACT: PHOSPHOR BRONZE
 C5191 (t=0.15)
 PLATED: GOLD (0.03 MICROMETER MINIMUM) OVER NICKEL (1~4 MICROMETER)

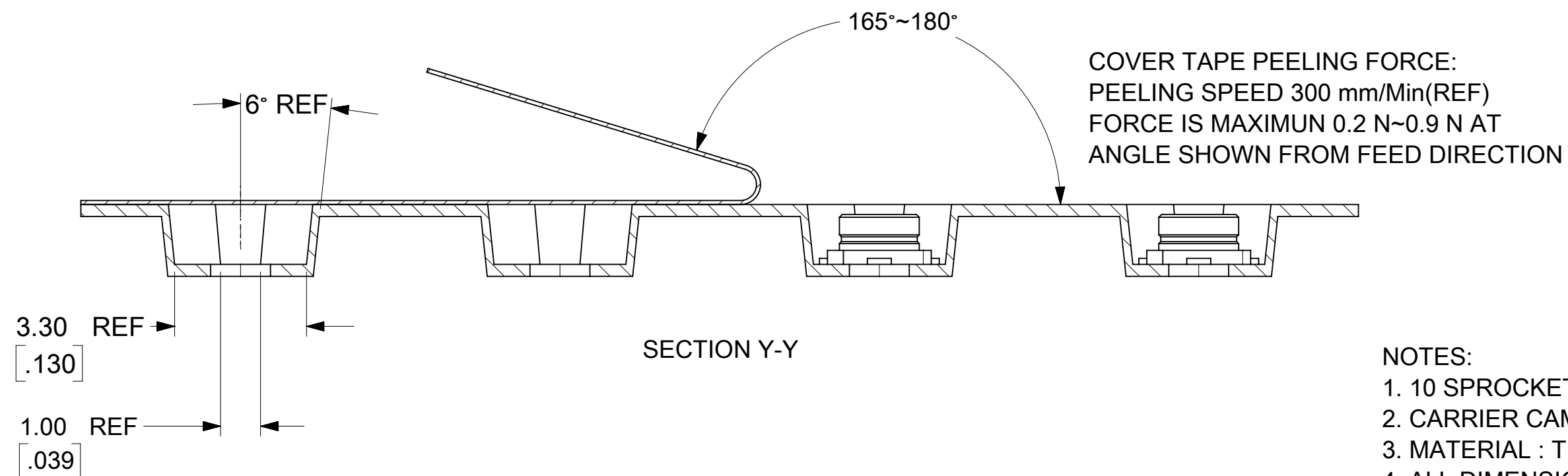
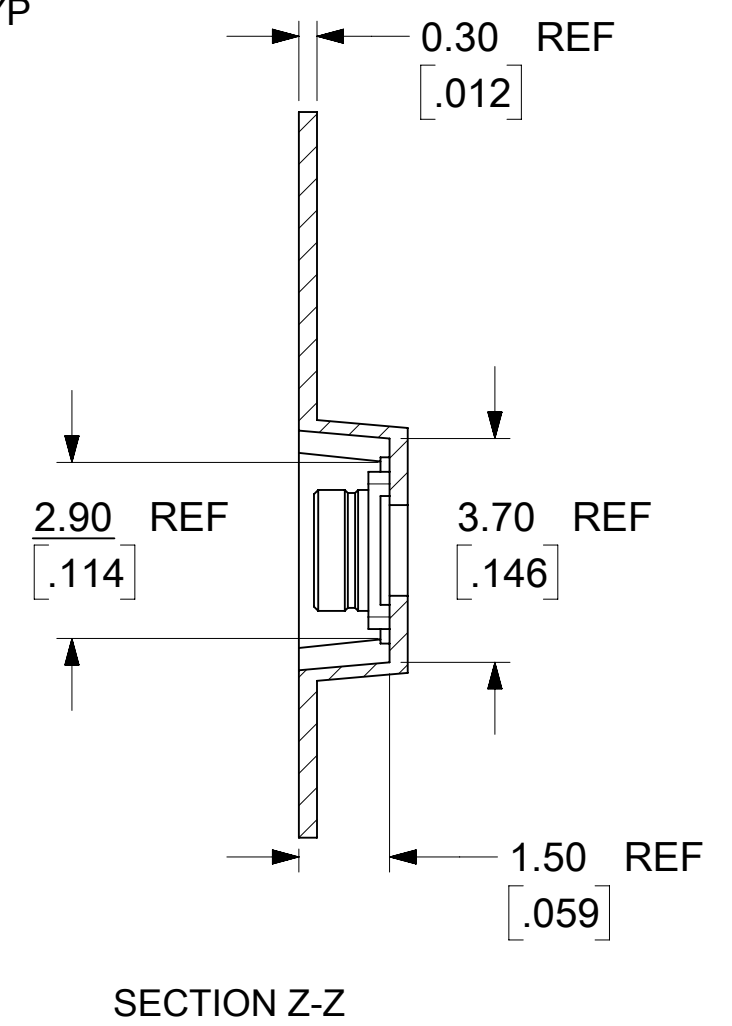
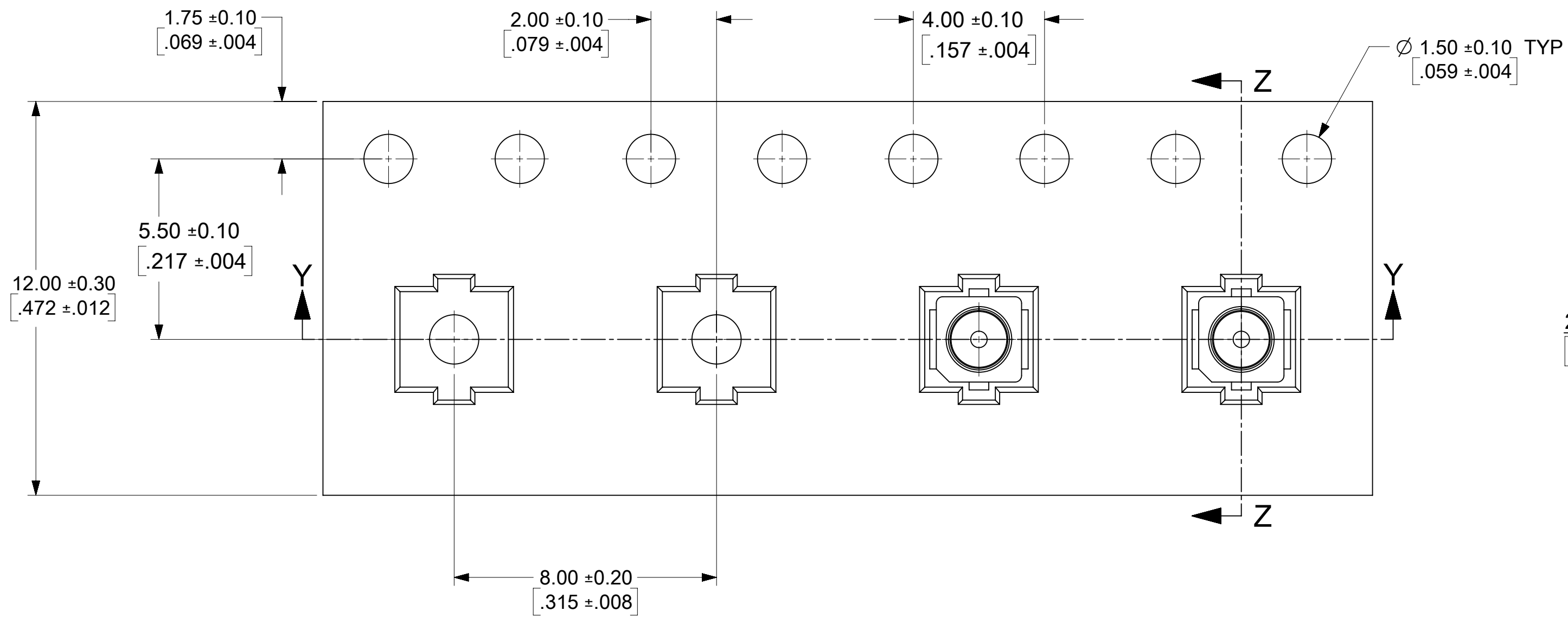
WILL WITHSTAND REFLOW TEMPERATURE OF 260 DEG C 40 SEC MAXIMUM
 VSWR DC-6GHz: 1.30 MAX



73412-0116	BAG (500 SETS)
73412-0114	TAPE AND REEL (1K/REEL)
73412-0110	TAPE AND REEL (5K/REEL)
PART NO.	PACKAGING

FUNCTIONAL SYMBOLS		THIS DRAWING CONTAINS INFORMATION THAT IS PROPRIETARY TO MOLEX ELECTRONIC TECHNOLOGIES, LLC AND SHOULD NOT BE USED WITHOUT WRITTEN PERMISSION	
FA = 0	DIMENSION UNITS	SCALE	CURRENT REV DESC: UPDATED FOR NEW MOLD RER EWR14916-A & PCN511407
EA = 0	MM/INCH	NTS	
EP = 0	GENERAL TOLERANCES (UNLESS SPECIFIED)		
DIVISIONAL SYMBOLS		ANGULAR TOL ± 2.0°	EC NO: 714253
4 PLACES ±			DRWN: CWEI02 2021/12/16
3 PLACES ±			CHK'D: YCHENG 2022/07/20
2 PLACES ± 0.25			APPR: YCHENG 2022/07/20
1 PLACE ± 0.13			INITIAL REVISION:
0 PLACES ±			DRWN: YCHENG 2005/03/15
			APPR: MHUANG 2005/03/21
DRAFT WHERE APPLICABLE MUST REMAIN WITHIN DIMENSIONS		THIRD ANGLE PROJECTION	DRAWING SERIES
		C-SIZE	73412
DOCUMENT NUMBER		DOC TYPE	DOC PART
SD-73412-011		PSD	001
MATERIAL NUMBER		CUSTOMER	SHEET NUMBER
SEE TABLE		GENERAL MARKET	1 OF 4

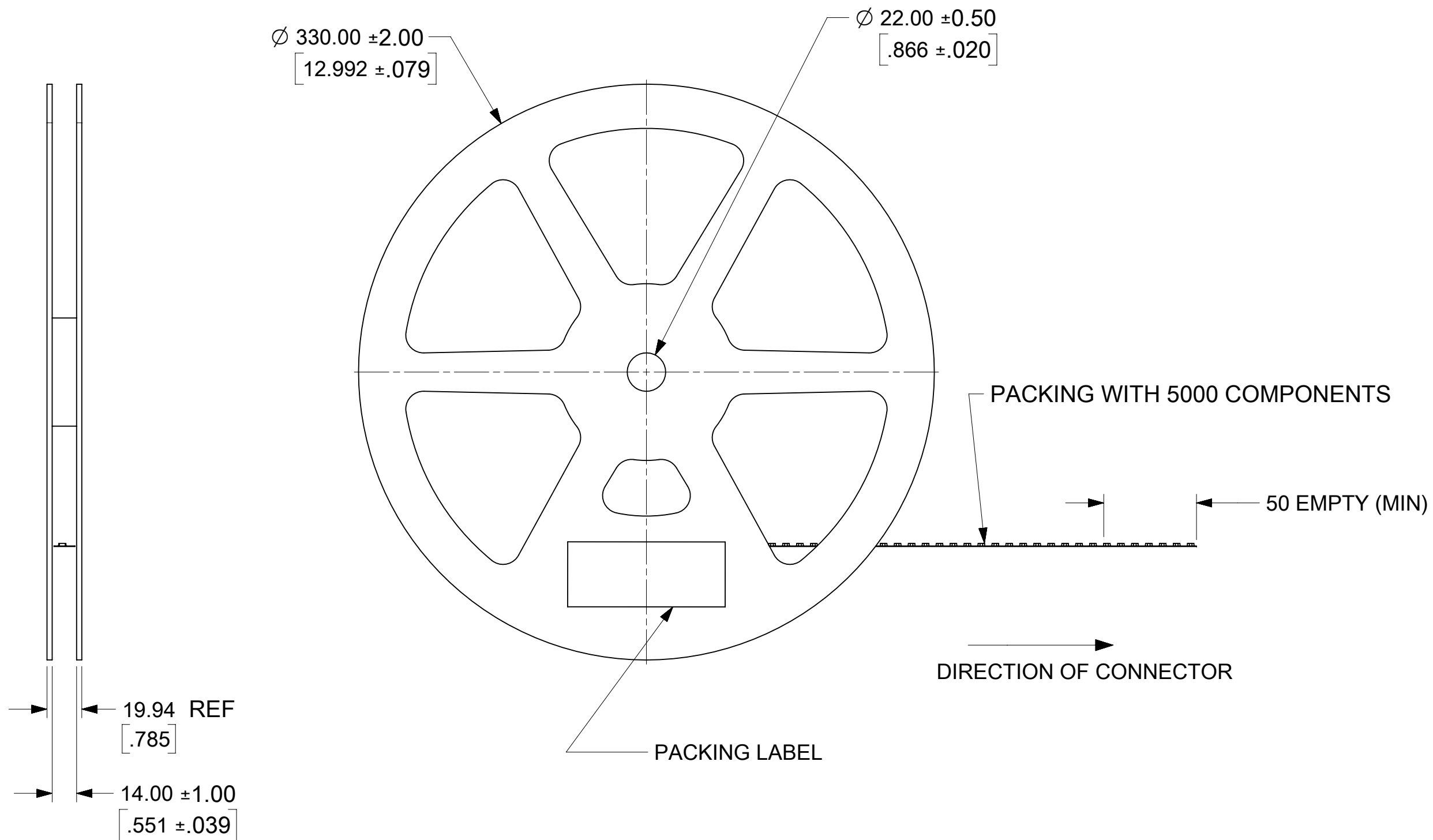
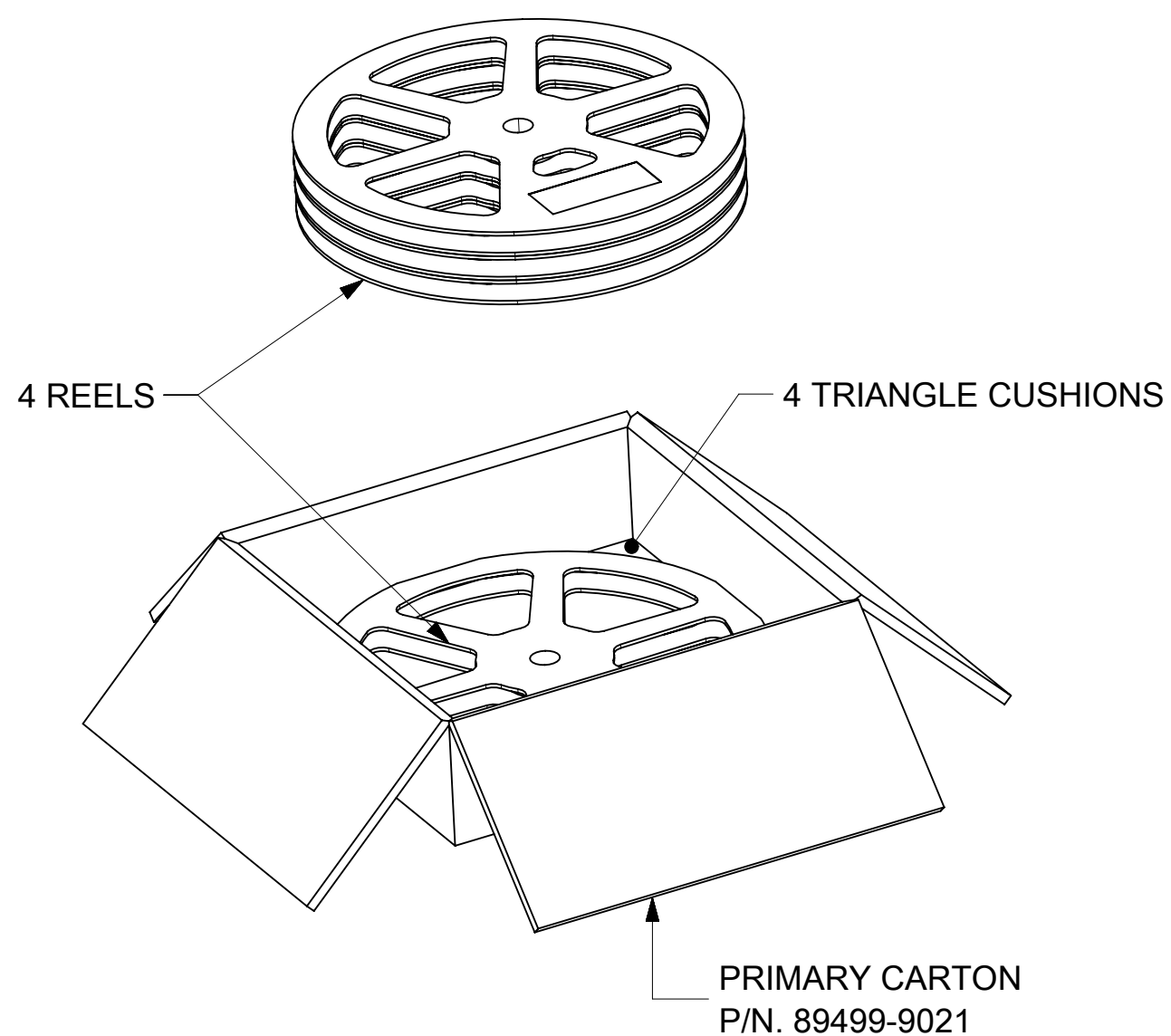
PS-73598-0210	PROD SPEC
SPECIFICATION	DESCRIPTION
DOCUMENT STATUS	P1
RELEASE DATE	2022/07/20 04:31:59



- NOTES:
- 10 SPROCKET HOLE PITCH CUMULATIVE TOLERANCE $\pm 0.20\text{mm}$
 - CARRIER CAMBER IS WITH 1mm IN 250mm
 - MATERIAL : TRANSPARENT POLYSTYRENE
 - ALL DIMENSIONS MEET EIA-481-1 REQUIREMENT
 - COMPONENT LOAD PER 13" REEL (5,000 PCS),
COMPONENT LOAD PER 7" REEL (1,000 PCS),

FUNCTIONAL SYMBOLS	THIS DRAWING CONTAINS INFORMATION THAT IS PROPRIETARY TO MOLEX ELECTRONIC TECHNOLOGIES, LLC AND SHOULD NOT BE USED WITHOUT WRITTEN PERMISSION		CURRENT REV DESC: UPDATED FOR NEW MOLD RER EWR14916-A & PCN511407		molex		
	DIMENSION UNITS	SCALE					
$\nabla_A = 0$	MM/INCH	NTS	EWR-14242-J ADDED LABEL FORMAT FOR 73412-0116		MCRF RECEPTACLE VERTICAL MCRF-J		
$\nabla_C = 0$	GENERAL TOLERANCES (UNLESS SPECIFIED)		EC NO: 714253				
$\nabla_P = 0$	ANGULAR TOL $\pm 2.0^\circ$		DRWN: CWEI02 2021/12/16		PRODUCT CUSTOMER DRAWING		
DIVISIONAL SYMBOLS	4 PLACES \pm		CHK'D: YCHENG 2022/07/20				
	3 PLACES \pm		APPR: YCHENG 2022/07/20		DOCUMENT NUMBER		
	2 PLACES ± 0.25		INITIAL REVISION:				
	1 PLACE ± 0.13		DRWN: YCHENG 2005/03/15		DOC TYPE		
	0 PLACES \pm		APPR: MHUANG 2005/03/21				
DRAFT WHERE APPLICABLE MUST REMAIN WITHIN DIMENSIONS			THIRD ANGLE PROJECTION		REVISION		
			DRAWING				
			C-SIZE		MATERIAL NUMBER		
			73412				
					SHEET NUMBER		
					GENERAL MARKET		

NOTE:
FOR 73412-0110 ONLY



THIS DRAWING CONTAINS INFORMATION THAT IS PROPRIETARY TO MOLEX ELECTRONIC TECHNOLOGIES, LLC AND SHOULD NOT BE USED WITHOUT WRITTEN PERMISSION									
FUNCTIONAL SYMBOLS	DIMENSION UNITS	SCALE	CURRENT REV DESC: UPDATED FOR NEW MOLD RER EWR14916-A & PCN511407						
$\frac{F}{A} = 0$	MM/INCH	NTS	EWR-14242-J ADDED LABEL FORMAT FOR 73412-0116						
$\frac{F}{C} = 0$	GENERAL TOLERANCES (UNLESS SPECIFIED)								
$\frac{F}{P} = 0$	ANGULAR TOL ± 2.0°		EC NO: 714253				2021/12/16		
DIVISIONAL SYMBOLS		4 PLACES ±	DRWN: CWEI02				2022/07/20		
		3 PLACES ±	CHK'D: YCHENG				2022/07/20		
		2 PLACES ± 0.25	APPR: YCHENG				2022/07/20		
		1 PLACE ± 0.13	INITIAL REVISION:						
		0 PLACES ±	DRWN: YCHENG				2005/03/15		
			APPR: MHUANG				2005/03/21		
DRAFT WHERE APPLICABLE MUST REMAIN WITHIN DIMENSIONS			THIRD ANGLE PROJECTION	DRAWING	SERIES	MATERIAL NUMBER	CUSTOMER	SHEET NUMBER	
				C-SIZE	73412	SEE TABLE	GENERAL MARKET	3 OF 4	
DOCUMENT STATUS			P1	RELEASE DATE	2022/07/20	04:31:59			

molex

MCRF RECEPTACLE
VERTICAL MCRF-J

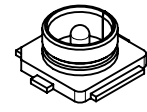
PRODUCT CUSTOMER DRAWING

DOCUMENT NUMBER
SD-73412-011

DOC TYPE
PSD

DOC PART
001

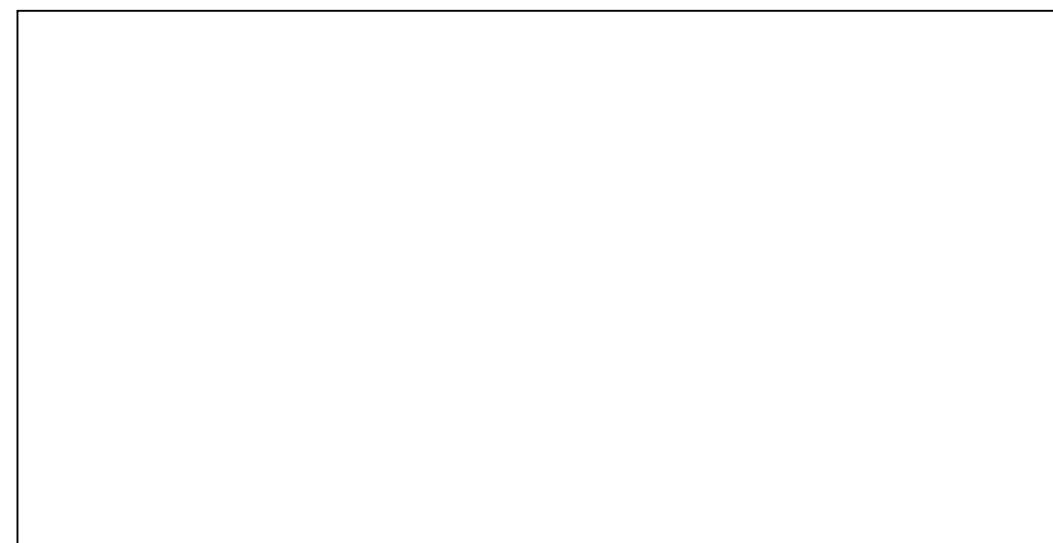
REVISION
D



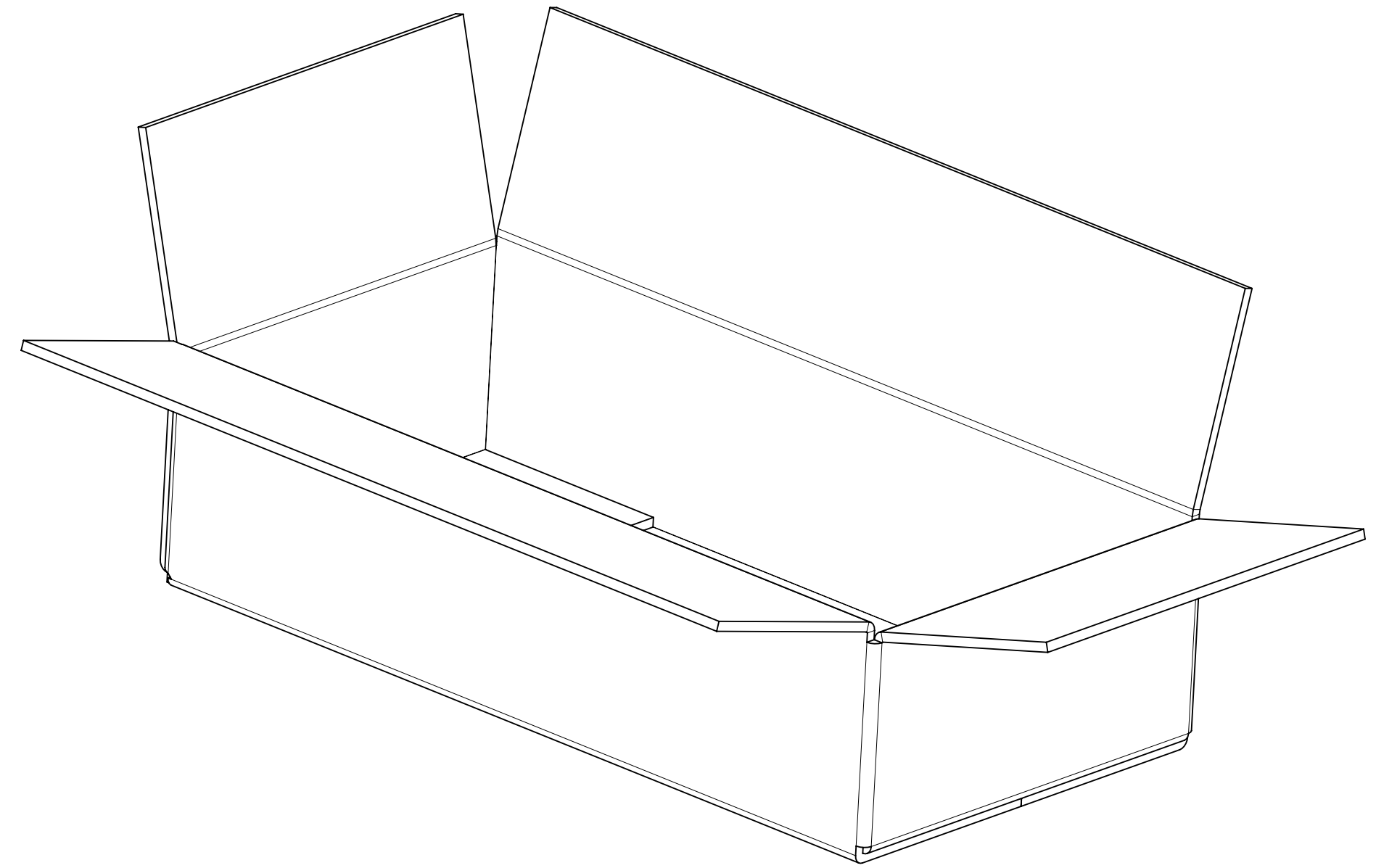
FOR 73412-0116 ONLY



10 SET PER POLYBAG
P/N: 89707-0318

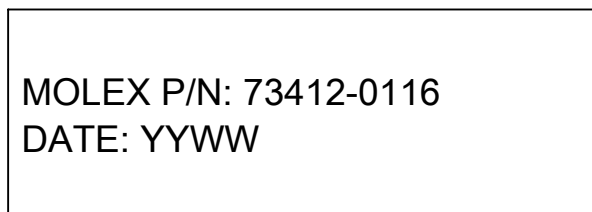


100 SET PER POLYBAG
P/N: 89707-0001



500 SET PER OUTER CARTON BOX
P/N: 96707-0003

LABEL WITH EACH BAG
FOR 73412-0116



THIS DRAWING CONTAINS INFORMATION THAT IS PROPRIETARY TO MOLEX ELECTRONIC TECHNOLOGIES, LLC AND SHOULD NOT BE USED WITHOUT WRITTEN PERMISSION									
FUNCTIONAL SYMBOLS	DIMENSION UNITS	SCALE	CURRENT REV DESC: UPDATED FOR NEW MOLD RER EWR14916-A & PCN511407						
	$\frac{F}{A} = 0$	MM/INCH	NTS	EWR-14242-J ADDED LABEL FORMAT FOR 73412-0116					
DIVISIONAL SYMBOLS	GENERAL TOLERANCES (UNLESS SPECIFIED)		EC NO: 714253						
	$\frac{F}{C} = 0$	ANGULAR TOL $\pm 2.0^\circ$	4 PLACES \pm		DRWN: CWEI02	2021/12/16			
DIVISIONAL SYMBOLS	$\frac{F}{P} = 0$		3 PLACES \pm		CHK'D: YCHENG	2022/07/20			
			2 PLACES ± 0.25		APPR: YCHENG	2022/07/20			
			1 PLACE ± 0.13		INITIAL REVISION:				
			0 PLACES \pm		DRWN: YCHENG	2005/03/15		DOCUMENT NUMBER	
			DRAFT WHERE APPLICABLE MUST REMAIN WITHIN DIMENSIONS		APPR: MHUANG	2005/03/21		SD-73412-011	
			THIRD ANGLE PROJECTION		DRAWING		SERIES		DOC TYPE
					C-SIZE		73412		DOC PART
									REVISION
									PSD 001 D
							MATERIAL NUMBER		SHEET NUMBER
							GENERAL MARKET		4 OF 4