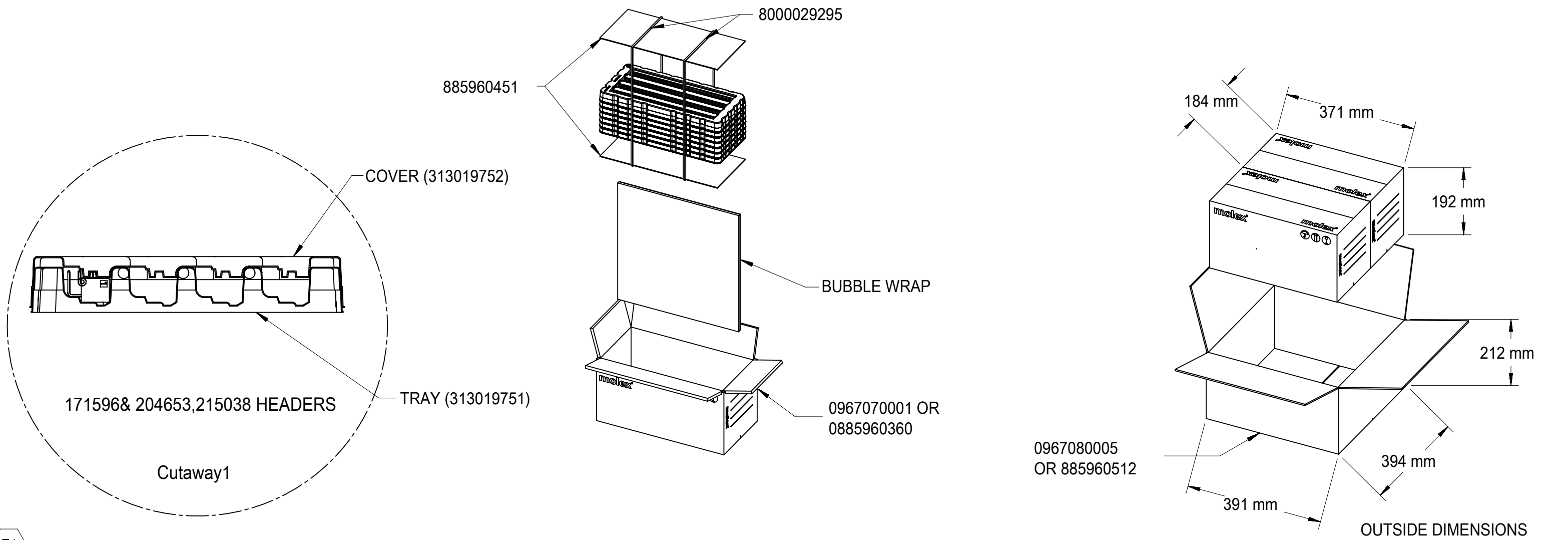


NOTES:

1. FOLD AND TAPE THE BOTTOM FLAPS OF THE CARTON (0885960360).
2. INSERT PRODUCT INTO THE TRAY (0313019751) PER THE TABLE ON SHEET 2. ORIENT RIGHT ANGLE HEADERS AS SHOWN IN CUTAWAY1.
3. INSERT SEVEN LOADED TRAYS WITH COVERS (313019752), WITH CARDBOARD (885960451) TOP & BOTTOM SECURED WITH RUBBER STRAPS (8000029295), WRAPPED IN BUBBLE WRAP, INTO THE CARTON.
4. FOLD AND TAPE THE TOP FLAPS OF THE CARTON AND ADD LABELS.
5. 2 LOADED CARTONS TO BE OVERPACKED INTO CARTON 0967080005 AS SHOWN AT RIGHT.
6. STANDARD PACKAGE QUANTITY (SPQ): SEE TABLE



**\*\*THIS DRAWING SHALL BE AVAILBLE FOR PACKING HEAERS FOR SPECIFY CUSTOMER ONLY.\*\***

FUNCTIONAL SYMBOLS	THIS DRAWING CONTAINS INFORMATION THAT IS PROPRIETARY TO MOLEX ELECTRONIC TECHNOLOGIES, LLC AND SHOULD NOT BE USED WITHOUT WRITTEN PERMISSION		CURRENT REV DESC:								
	DIMENSION UNITS	SCALE						EC NO: 660973 DRWN: ALUO02 2021/04/13 CHK'D: YXZHENG 2021/04/15 APPR: YXZHENG 2021/04/15 INITIAL REVISION: DRWN: NNGUYEN 2013/09/10 APPR: FSMITH 2013/09/17			
	GENERAL TOLERANCES (UNLESS SPECIFIED)										
	ANGULAR TOL ± 1.0°										
DIVISIONAL SYMBOLS	4 PLACES ±	3 PLACES ±	2 PLACES ± 0.13	1 PLACE ± 0.25	0 PLACES ±	DOCUMENT NUMBER		DOC TYPE	DOC PART	REVISION	
DRAFT WHERE APPLICABLE MUST REMAIN WITHIN DIMENSIONS		THIRD ANGLE PROJECTION	DRAWING	SERIES	MATERIAL NUMBER	CUSTOMER	PK-76825-0000		PDD	001	E2
DOCUMENT STATUS		P1	RELEASE DATE	2021/04/15 14:18:47	B-SIZE	76825	SEE TABLE	GENERAL MARKET		SHEET NUMBER 1 OF 2	

TABLE

PRODUCT #	PRODUCT DESCRIPTION	QTY /SLOT	QTY /TRAY	QTY/967070001 CARTON	SPQ QTY/967080005 CARTON
215038-**02	MEGA-FIT R/A HEADER WITH 2 CKT HSG	36	144	1008	2016
171596-**02 OR 171596-**04	MEGA-FIT R/A HEADER WITH 4 CKT HSG	25	100	700	1400
171596-**05	MEGA-FIT R/A HEADER WITH 6 CKT HSG	17	68	476	952
171596-**01 OR 204653-1*06	MEGA-FIT R/A HEADER WITH 8 CKT HSG	12	48	336	672
171596-**03	MEGA-FIT R/A HEADER WITH 12 CKT HSG	8	32	224	448

E1

**\*\*THIS DRAWING SHALL BE AVAILBLE FOR PACKING HEAERS FOR SPECIFY CUSTOMERS ONLY.\*\***

FUNCTIONAL SYMBOLS	THIS DRAWING CONTAINS INFORMATION THAT IS PROPRIETARY TO MOLEX ELECTRONIC TECHNOLOGIES, LLC AND SHOULD NOT BE USED WITHOUT WRITTEN PERMISSION														
	DIMENSION UNITS	SCALE	CURRENT REV DESC:							<b>molex</b>					
	$\frac{E}{A} = 0$	mm	1:10	EC NO: 660973 DRWN: ALUO02 CHK'D: YXZHENG APPR: YXZHENG											
	GENERAL TOLERANCES (UNLESS SPECIFIED)	ANGULAR TOL $\pm 1.0^\circ$		INITIAL REVISION: DRWN: NNGUYEN APPR: FSMITH							DOCUMENT NUMBER	DOC TYPE	DOC PART	REVISION	
DIVISIONAL SYMBOLS	4 PLACES $\pm$		3 PLACES $\pm$		2 PLACES $\pm 0.13$		1 PLACE $\pm 0.25$		0 PLACES $\pm$		PK-76825-0000		PDD	001	E2
DRAFT WHERE APPLICABLE MUST REMAIN WITHIN DIMENSIONS			THIRD ANGLE PROJECTION		DRAWING	SERIES	MATERIAL NUMBER	CUSTOMER		SHEET NUMBER					
					B-SIZE	76825	SEE TABLE	GENERAL MARKET		2 OF 2					