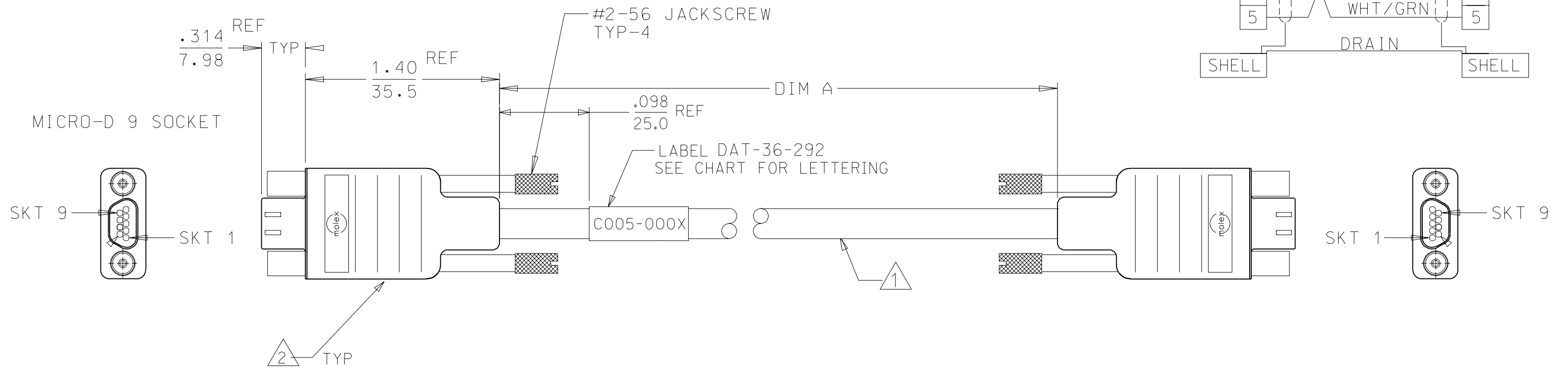
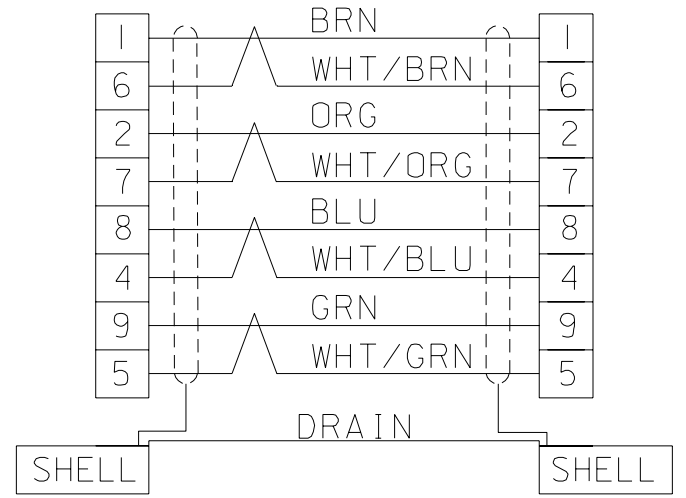


MATERIAL NO.	ENGINEERING NO.	DIM A	TOLERANCE	LABEL PRINT
834219221	83421-9221	.75ft+/200mm	+.315-.157/+8-4mm	C005-0001
834219222	83421-9222	4.00ft+/1200mm	+1.89-.945/+48-24mm	C005-0002
834219231	83421-9231	32.8ft+/10m	+4.0-2.5/+100-63mm	C005-0003
834219223	83421-9223	9.85ft+/3m	+2.36-1.89/+60-48mm	C005-0004



- 3. REFER TO PS-83421-9000 FOR PRODUCT SPEC.
- 2. MICRO-D, 9 SOCKET FEMALE CONNECTOR (CRIMP TYPE)  
CONTACTS: 30 MICRO INCH GOLD PLATED  
INSULATOR: PCV OVERMOLD, COLOR: BLACK  
WITH (2) #2.56 JACKSCREWS

RESTRICTED SALES DRAWING

1. CABLE: CAT 5E, 26AWG, 4 PAIR & DRAIN WIRE  
8 CONDUCTOR, TINNED COPPER, 7 STRAND.  
WIRE INSULATION: PVC  
SHIELD: AL-FOIL/MYLAR, INCLUDING DRAIN WIRE & BRAID  
OUTER CABLE JACKET: BLACK PVC.

NOTES: UNLESS OTHERWISE SPECIFIED.

CHNG TO SD IN MIDAS EC NO. ETC2004-0077 DRWN: EMF 03/09/26 CHK: HEB 03/09/26 APPR: RSD 03/09/26	QUALITY SYMBOLS	GENERAL TOLERANCES: (UNLESS SPECIFIED)		SCALE NO:NE	DESIGN UNITS	THIRD ANGLE PROJECTION	DIMENSIONS:	SHT	REV
	MAJOR $\nabla=0$	mm	INCH	NO:NE	<input type="checkbox"/> mm <input checked="" type="checkbox"/> INCH	<input type="checkbox"/> mm <input checked="" type="checkbox"/> INCH	<input type="checkbox"/> mm <input type="checkbox"/> mm <input type="checkbox"/> mm ONLY		
	CRITICAL $\nabla=0$	4 PLACES ±0.	±.	DRAWN BY & DATE	TITLE: CABLE ASSEMBLY				
		3 PLACES ±0.	±.005	JAL 03/04/07	9 SKT MICRO D TO 9 SKT MICRO D W/OVERMOLD				
	2 PLACES ±0.13	±.010	CHECKED BY & DATE	MOLEX INCORPORATED					
	1 PLACE ±0.25	±.	/ /	MATERIAL NO. SEE CHART					
	ANGULAR: ±2 °		APPROVED BY & DATE	DRAWING NO.		SHEET NO.			
	DRAFT WHERE APPLICABLE MUST REMAIN WITHIN DIMENSIONS		RWD 03/04/10	RSD-83421-023.DGN		RSD-83421-023		1 OF 1	
	THIS DRAWING CONTAINS INFORMATION THAT IS PROPRIETARY TO MOLEX INCORPORATED AND SHOULD NOT BE USED WITHOUT WRITTEN PERMISSION.								
									SIZE B

# Mouser Electronics

Authorized Distributor

Click to View Pricing, Inventory, Delivery & Lifecycle Information:

[Molex:](#)

[83421-9221](#)