

PLEASE CHECK WWW.MOLEX.COM FOR LATEST PART INFORMATION

Part Number: [0878304221](#)
Status: **Active**
Overview: Milli-Grid Connector System
Description: 2.00mm Pitch Milli-Grid Straddle Mount Header, 42 Circuits, 0.38µm Gold (Au) Selective Plating, Lead-Free

Documents:

[Drawing \(PDF\)](#) [RoHS Certificate of Compliance \(PDF\)](#)
[Application Specification 503940001-AS-000 \(PDF\)](#)

General

Product Family	PCB Headers
Series	87830
Application	Board-to-Board, Signal
Overview	Milli-Grid Connector System
Product Name	Milli-Grid
UPC	822348377985

Physical

Breakaway	Yes
Circuits (Loaded)	42
Circuits (maximum)	42
First Mate / Last Break	No
Glow-Wire Capable	No
Guide to Mating Part	No
Keying to Mating Part	None
Lock to Mating Part	None
Material - Plating Mating	Gold
Material - Plating Termination	Tin
Net Weight	0.945/g
Number of Rows	2
Orientation	Vertical
PCB Locator	No
PCB Retention	None
PCB Thickness - Recommended	1.07mm
Packaging Type	Tray
Pitch - Mating Interface	2.00mm
Pitch - Termination Interface	2.00mm
Plating min - Mating	0.381µm
Plating min - Termination	1.905µm
Polarized to Mating Part	No
Polarized to PCB	No
Shrouded	No
Stackable	No
Temperature Range - Operating	-55° to +105°C
Termination Interface: Style	Straddle Mount

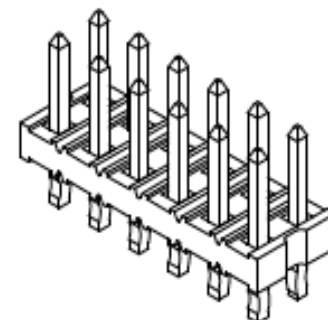
Electrical

Current - Maximum per Contact	2.0A
Voltage - Maximum	125V

Material Info

Reference - Drawing Numbers

Application Specification	503940001-AS-000
Sales Drawing	SD-87830-003



Series image - Reference only

EU ELV

Not Relevant

EU RoHS

Compliant

REACH SVHC

Not Contained Per -
ED/71/2019 (16 July
2019)

Halogen-Free

Status

Not Low-Halogen

For more information, please visit [Contact US](#)

China ROHS

ELV

RoHS Phthalates

China RoHS

Green Image

Not Relevant

Not Contained

Search Parts in this Series

[87830 Series](#)

Mates With

[79107](#) Board-to-Board Top Entry Through Hole Receptacle, [79108](#) Board-to-Board FFC/FPC Top Entry Through Hole Receptacle, [79109](#) Board-to-Board Top/Bottom Entry SMT Receptacle, [87381](#) Board-to-Board Top Entry SMT Receptacle

This document was generated on 05/22/2020

PLEASE CHECK WWW.MOLEX.COM FOR LATEST PART INFORMATION