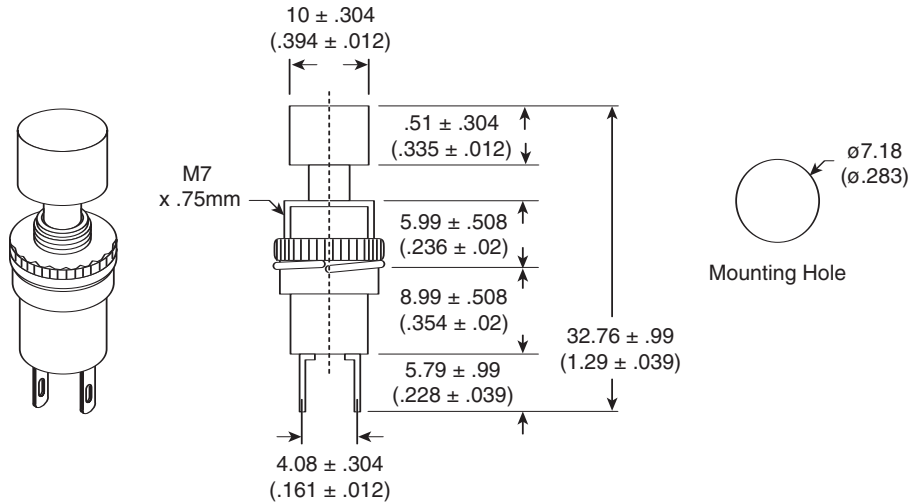


Dimensions: mm (In.)



Electrical Specifications:

- Rating: 1.5A/250VAC
- Contact resistance: 50mΩ max.
- Insulation resistance: 100MΩ min. @ 500VDC
- Dielectric strength: 1500VAC for 1 minute

| Mountain Switch Part No. | Button Color |
|--------------------------|--------------|
| 103-1122 | Red |
| 103-1123 | Black |

Pushbutton Switches
103-1122, 103-1123



Mouser Electronics

Authorized Distributor

Click to View Pricing, Inventory, Delivery & Lifecycle Information:

[Mountain Switch:](#)

[103-1122](#) [103-1123](#)