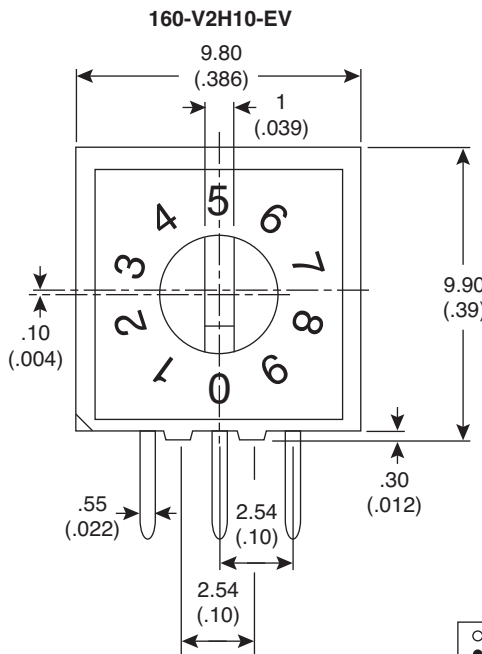
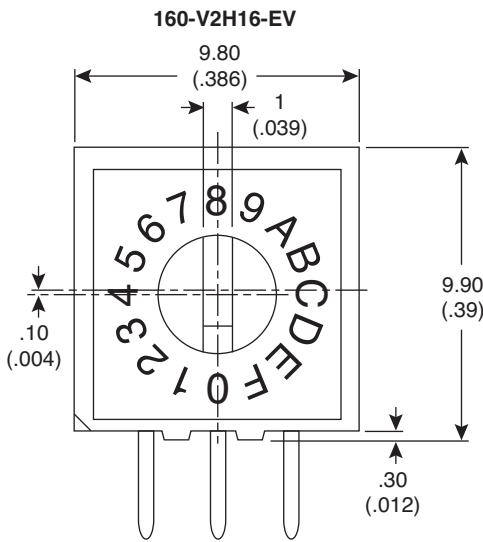
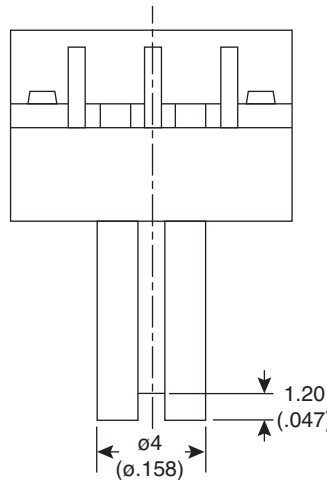
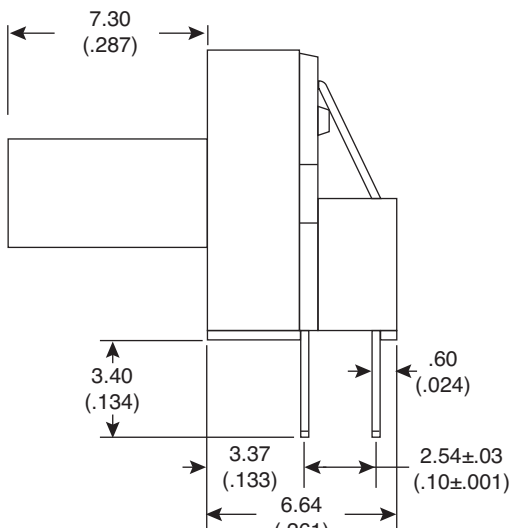
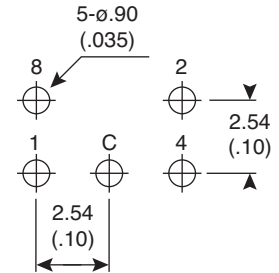


Dimensions: mm (in.)



P.C.B. LAYOUT



CIRCUIT CHART

| TYPE    | POSITION | CODE |   |   |   |
|---------|----------|------|---|---|---|
|         |          | 1    | 2 | 4 | 8 |
| 10 STEP | 0        | ●    | ● | ● | ● |
|         | 1        | ○    | ● | ● | ● |
|         | 2        | ●    | ○ | ● | ● |
|         | 3        | ○    | ○ | ● | ● |
|         | 4        | ●    | ○ | ○ | ● |
|         | 5        | ○    | ● | ○ | ● |
|         | 6        | ●    | ○ | ○ | ● |
|         | 7        | ○    | ○ | ○ | ● |
|         | 8        | ●    | ● | ○ | ○ |
|         | 9        | ○    | ● | ● | ○ |
| 16 STEP | A        | ●    | ○ | ○ | ○ |
|         | B        | ○    | ○ | ● | ○ |
|         | C        | ●    | ● | ○ | ○ |
|         | D        | ○    | ● | ○ | ○ |
|         | E        | ●    | ○ | ○ | ○ |
|         | F        | ○    | ○ | ○ | ○ |

○ ON  
● OFF

Electrical Specifications:

- Rating:  
Non-Switching: 100mA/50V DC  
Switching: 25mA/24V DC
- Contact Resistance: 100m $\Omega$  Max. (initial)
- Dielectric Strength: 250V AC for 1 min.
- Insulation Resistance: 100M $\Omega$  min. @ 250V DC

Mechanical Specifications:

- Operating Temperature: -25°C - +80°C
- Storage Temperature: -40°C - +85°C
- Operation Force: 200gf cm Max.

Note:

- RoHS Compliant

Rotary Dip Switches  
106-V2H10-EV, 106-V2H16-EV



# Mouser Electronics

Authorized Distributor

Click to View Pricing, Inventory, Delivery & Lifecycle Information:

[Mountain Switch:](#)

[106-V2H16-EV](#) [106-V2H10-EV](#)