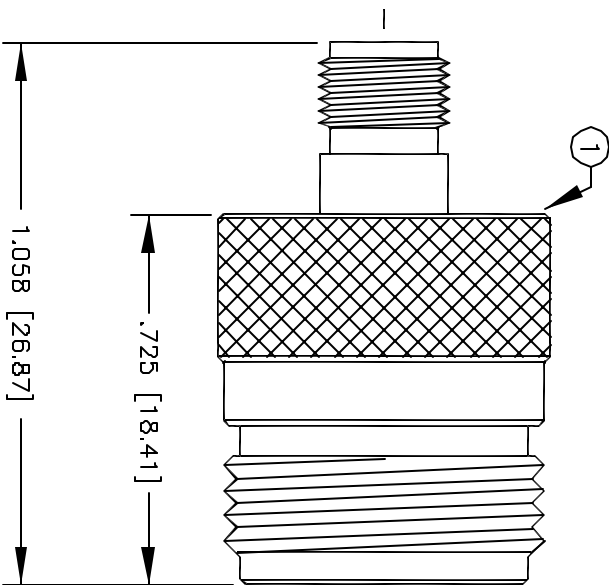


© COPYRIGHT 1997 BY SPC TECHNOLOGY. ALL RIGHTS RESERVED. NO PORTION OF THIS PUBLICATION, WHETHER IN WHOLE OR IN PART CAN BE REPRODUCED WITHOUT THE EXPRESS WRITTEN CONSENT OF SPC TECHNOLOGY.



REVISIONS				DOC. NO. SPC-FD05, Total Pages: 2				
DCP #	REV	DESCRIPTION	DRAWN	DATE	CHECKD	DATE	APPRVD	DATE
18	A	RELEASED	D.J.C.	4/2/97	J.C.	4/8/97	B.B.	4/16/97
428	B	CHANGE ELECTRONIC FILE NAME	DJC	2/12/98	JC	2/17/98	JC	2/17/98

SPECIFICATIONS:

IMPEDANCE: 50 OHMS
 WORKING VOLTAGE: 335 VRMS @ SEA LEVEL
 FREQUENCY RANGE: 0-3 GHz

ITEM	DESCRIPTION	QTY	MATERIAL	FINISH
5	PRESS FIT SLEEVE	1	BRASS	NICKEL
4	DIELECTRIC	1	TEFLON	NONE
3	DIELECTRIC	1	TEFLON	NONE
2	CONTACT	1	PHOSPHOR BRONZE	GOLD
1	BODY	1	BRASS	NICKEL

DISCLAIMER
 ALL STATEMENTS AND TECHNICAL INFORMATION CONTAINED HEREIN ARE BASED UPON INFORMATION AND/OR TESTS WE BELIEVE TO BE ACCURATE AND RELIABLE. SOME CONDITIONS OF USE ARE NOT INTENDED FOR USE AND ASSURE ALL RISK AND LIABILITY WHATSOEVER IN CONNECTION THEREWITH.



SPC TECHNOLOGY
 2070100, LL 60040-4998

DRAWN BY: DANIEL CAREY		DATE: 4/2/97	DRAWING TITLE: SMA FEMALE TO N FEMALE	
CHECKED BY: JOHN COLE		DATE: 4/8/97	SIZE: A	DWG. NO.: 8589-0860
APPROVED BY: BRETT BRAATZ		DATE: 4/18/97	SCALE: NTS	CAD FILE: 16N2742.DWG
			U.O.M.: INCHES [mm]	REV: B
			SHEET: 1	OF 1

DIMENSIONS ARE FOR REFERENCE PURPOSES ONLY.