

LH4001 Wideband Current Buffer

General Description

The LH4001 is a high speed unity gain buffer designed to provide high current drive capability at frequencies from DC to over 25 MHz. It is capable of providing a continuous output current of ± 100 mA and a peak of ± 200 mA.

The LH4001 is designed to fulfill a wide range of applications such as impedance transformation, high impedance input buffers for A/D converters and comparators, as well as high speed line drivers. It is also suitable for use in current booster applications within an op amp loop. This allows the output current capability of existing op amps to be increased to ± 100 mA.

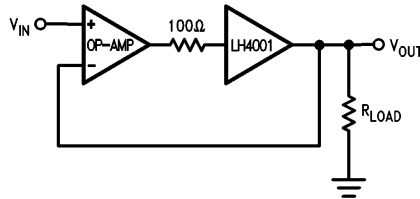
Features

- DC to 25 MHz bandwidth
- 125 V/ μ s slew rate
- Drives ± 10 V into 50Ω
- Operates from ± 5 to ± 20 V supplies
- Output swing approaches supply voltage

Applications

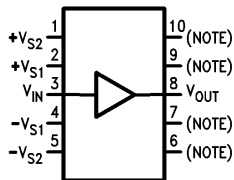
- Boost op amp output
- Buffer amplifiers
- Isolate capacitive loads
- Drive long cables

Typical Applications and Connection Diagram



TL/K/8628-1

Dual-In-Line Package



Top View

TL/K/8628-2

*Note: Electrically connected internally. No connection should be made to these pins.

Order Number LH4001CN
See NS Package Number N10A

Absolute Maximum Ratings

If Military/Aerospace specified devices are required, please contact the National Semiconductor Sales Office/Distributors for availability and specifications.

Supply Voltage, V_S	$\pm 22V$
Continuous Output Current, I_O	$\pm 100\text{ mA}$
Peak Output Current, $I_{O(\text{peak})}$ (50 ms On/1 Sec Off)	$\pm 200\text{ mA}$
Input Voltage Range, V_{IN}	$\pm V_S$
Power Dissipation	500 mW

Storage Temperature Range, T_{STG}	-65°C to $+150^\circ\text{C}$
Junction Temperature, T_J	150°C
Lead Temp. (Soldering, <10 seconds)	260°C
ESD rating is to be determined.	

Operating Ratings

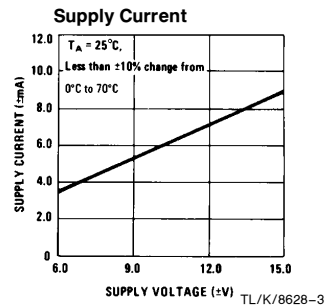
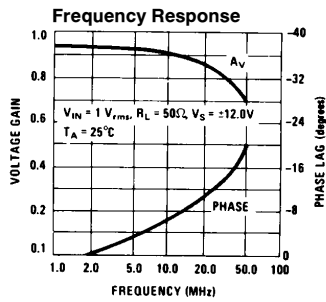
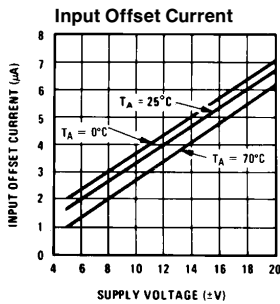
Temperature Range, T_A	0°C to $+70^\circ\text{C}$
Thermal Resistance θ_{JA}	120°C/W

Electrical Characteristics (Note 1)

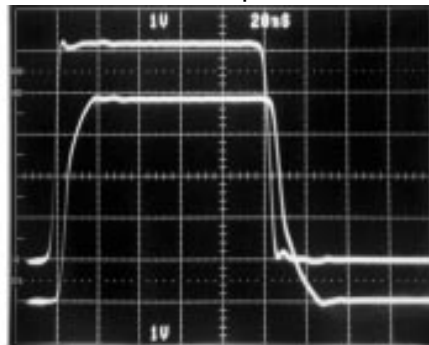
Symbol	Parameter	Conditions	Min	Typ	Max	Units
A_V	Voltage Gain	$R_S = 10\text{ k}\Omega$, $R_L = 1\text{ k}\Omega$ $V_{IN} = \pm 10V$	0.95	0.97	1	V/V
R_{IN}	Input Impedance	$R_S = 200\text{ k}\Omega$, $R_L = 1\text{ k}\Omega$ $V_{IN} = \pm 1.0V$	180	400		k Ω
R_{OUT}	Output Impedance	$R_S = 10\text{ k}\Omega$, $R_L = 50\Omega$ $V_{IN} = \pm 1.0V$		6	10	Ω
V_O	Output Swing	$V_S = \pm 15V$, $R_S = 50\Omega$ $R_L = 100\Omega$, $V_{IN} = \pm 12V$	± 10	± 11		V
I_B	Input Bias Current	$R_S = 10\text{ k}\Omega$, $R_L = 1\text{ k}\Omega$		± 10	± 50	μA
t_r	Rise Time	$R_L = 100\Omega$, $\Delta V_{IN} = 100\text{ mV}$		7		ns
SR	Slew Rate	$V_{IN} = \pm 5V$, $R_L = 100\Omega$		125		V/ μs
I_S	Supply Current	$R_S = 10\text{ k}\Omega$		± 6	± 10	mA
V_{OS}	Offset Voltage	$R_S = 300\Omega$, $R_L = 1\text{ k}\Omega$		± 10	± 50	mV

Note 1: Specification applies for $T_A = 25^\circ\text{C}$ with +12V on Pins 1 & 2; -12V on Pins 4 & 5 unless otherwise specified.

Typical Performance Characteristics



Pulse Response



TOP TRACE = INPUT
BOTTOM TRACE = OUTPUT

$V_{IN} = \pm 2.5V$, $R_S = R_L = 50\Omega$

TL/K/8628-10

Applications Information

Figure 1 shows a simple implementation of a non-inverting buffer amplifier of unity gain. Popular industry standard operational amplifiers such as LF156, LF351, LF411, LF441, LM11, LM741, etc. can be used in this configuration. Due to the high bandwidth of the LH4001, it is suitable for use with most monolithic op amps.

Figure 2 shows an implementation of an inverting amplifier with output current capability in excess of ± 100 mA. The gain of this amplifier is determined by the values of R_F and R_{IN} . The resistor between the non-inverting input and ground is used to minimize the output offset voltage resulting from the input bias current.

Because of its high current drive capability, the LH4001 buffer amplifier is suitable for driving terminated or unterminated co-axial cables, and high current or reactive loads.

Figure 3 shows a co-axial cable drive circuit. The 43Ω resistor matches the driving source to the cable, however, its inclusion rarely will result in substantial improvement in pulse response into a terminated cable. If the 43Ω resistor is included, the output voltage to the load is about half what it would be without the near end termination.

Figure 4 shows a non-inverting amplifier with gain and output current capability in excess of ± 100 mA. It is capable of providing ± 10 mA into a $1\text{ k}\Omega$ load or ± 100 mA into a 100Ω load ($\pm 10\text{V}$ swing). Figures 5 and 6 show two different methods of providing current limit or short circuit protection for the LH4001. In Figure 6, the 10Ω resistor limits the output current to approximately 70 mA. This circuit is highly recommended if there is a potential for a short circuit to occur.

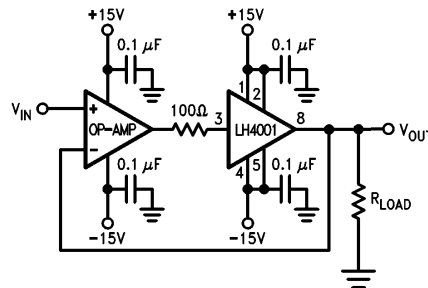


FIGURE 1. Non-Inverting Buffer Amplifier

TL/K/8628-4

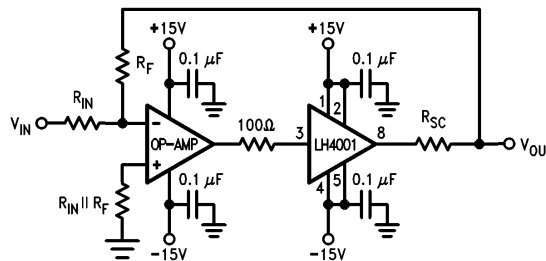


FIGURE 2. Inverting Buffer Amplifier with Current Limit

$$\frac{V_{OUT}}{V_{IN}} = -\frac{R_F}{R_{IN}}$$

TL/K/8628-6

Applications Information (Continued)

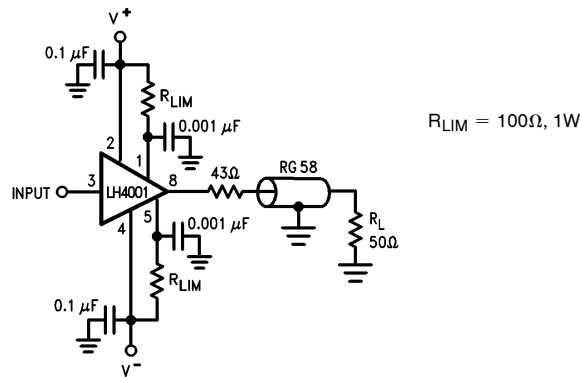
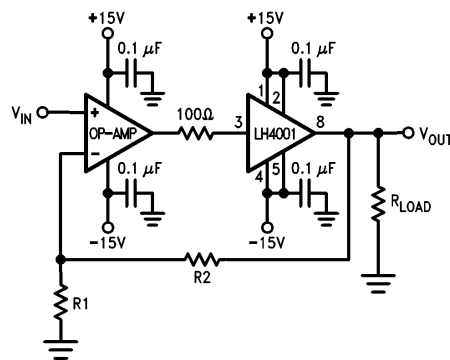


FIGURE 3. Coaxial Cable Drive Circuit

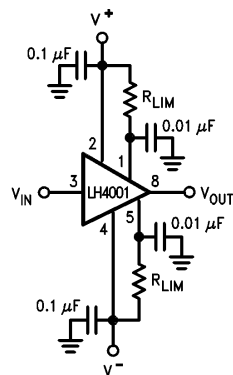
TL/K/8628-7



$$V_{OUT} = V_{IN} \left(1 + \frac{R_2}{R_1} \right)$$

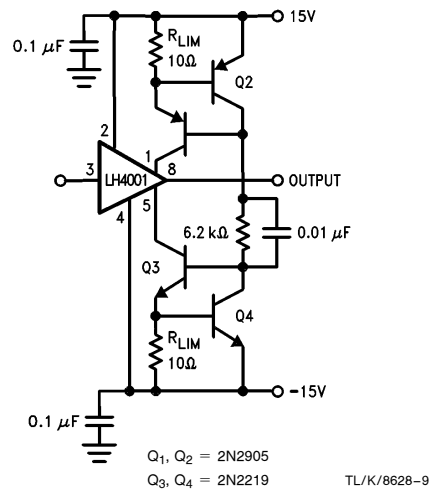
FIGURE 4. Non-Inverting Buffer Amplifier with Gain

TL/K/8628-5



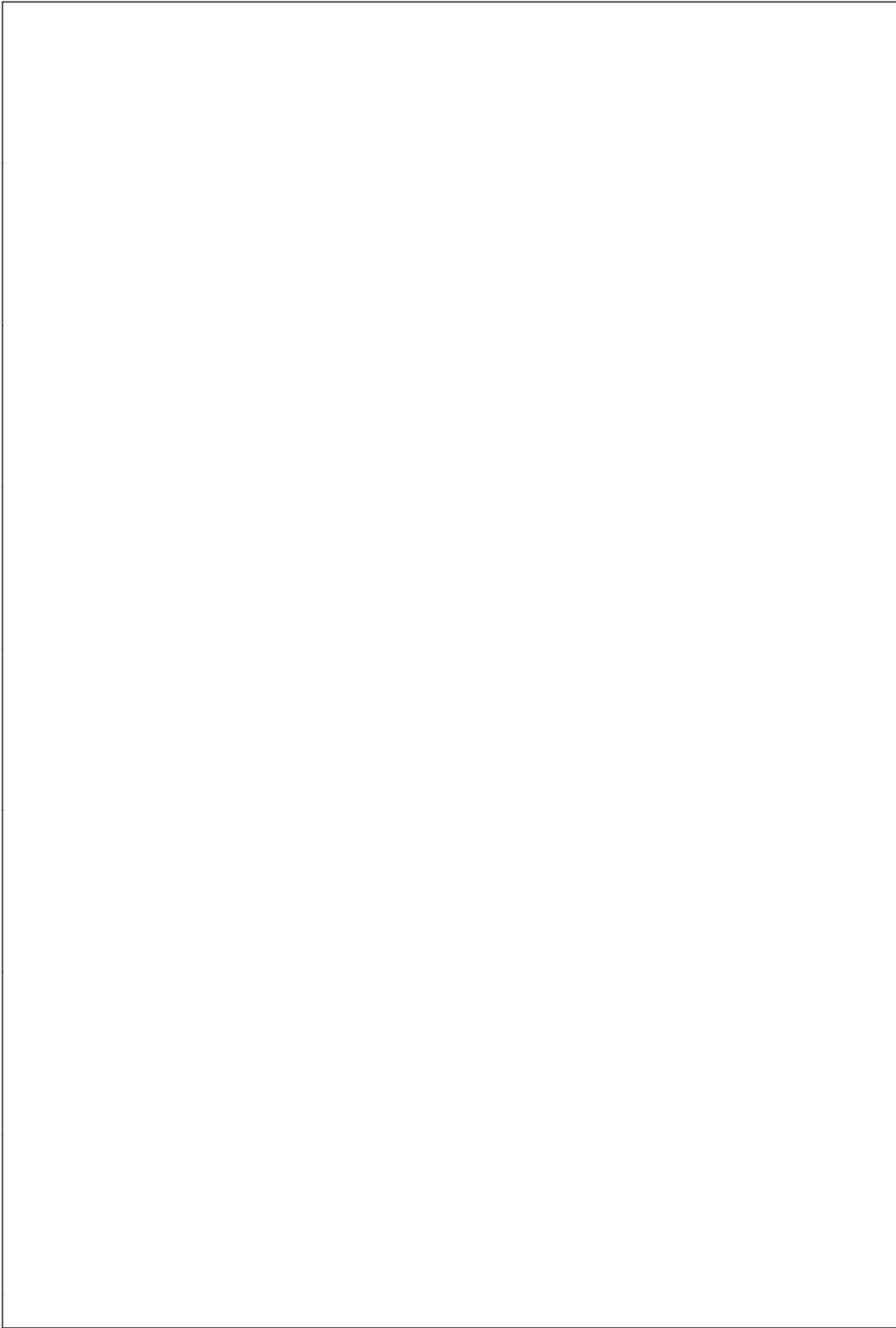
TL/K/8628-8

FIGURE 5. LH4001 Using Resistor Current Limiting



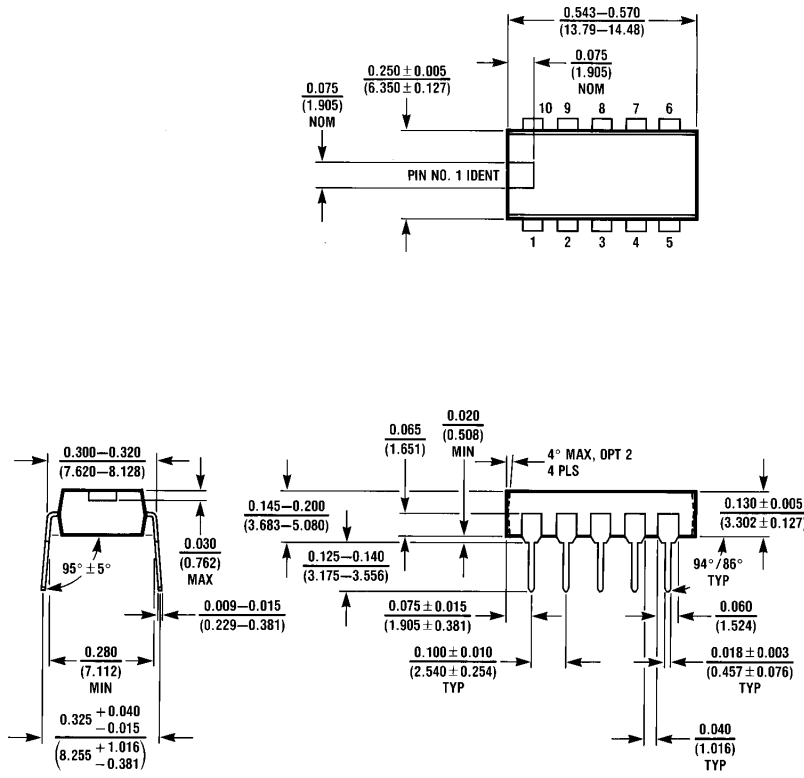
TL/K/8628-9

FIGURE 6. Current Limit Using Current Sources



Physical Dimensions inches (millimeters)

Lit. # 106408



Molded Dual-in-Line Package (N)
Order Number LH4001CN
NS Package Number N10A

N10A (REV A)

LIFE SUPPORT POLICY

NATIONAL'S PRODUCTS ARE NOT AUTHORIZED FOR USE AS CRITICAL COMPONENTS IN LIFE SUPPORT DEVICES OR SYSTEMS WITHOUT THE EXPRESS WRITTEN APPROVAL OF THE PRESIDENT OF NATIONAL SEMICONDUCTOR CORPORATION. As used herein:

1. Life support devices or systems are devices or systems which, (a) are intended for surgical implant into the body, or (b) support or sustain life, and whose failure to perform, when properly used in accordance with instructions for use provided in the labeling, can be reasonably expected to result in a significant injury to the user.
2. A critical component is any component of a life support device or system whose failure to perform can be reasonably expected to cause the failure of the life support device or system, or to affect its safety or effectiveness.



National Semiconductor Corporation
 1111 West Bardin Road
 Arlington, TX 76017
 Tel: 1(800) 272-9959
 Fax: 1(800) 737-7018

National Semiconductor Europe
 Fax: (+49) 0-180-530 85 86
 Email: cnjwge@tevm2.nsc.com
 Deutsch Tel: (+49) 0-180-530 85 85
 English Tel: (+49) 0-180-532 78 32
 Français Tel: (+49) 0-180-532 93 58
 Italiano Tel: (+49) 0-180-534 16 80

National Semiconductor Hong Kong Ltd.
 19th Floor, Straight Block,
 Ocean Centre, 5 Canton Rd.
 Tsimshatsui, Kowloon
 Hong Kong
 Tel: (852) 2737-1600
 Fax: (852) 2736-9960

National Semiconductor Japan Ltd.
 Tel: 81-043-299-2309
 Fax: 81-043-299-2408

National does not assume any responsibility for use of any circuitry described, no circuit patent licenses are implied and National reserves the right at any time without notice to change said circuitry and specifications.