

---

4-WAY MOMENTARY TOGGLE WITH TACTILE RESPONSE

---

Tactile switches remain a favorite among design engineers because the positive detent indicates circuit transfer to the operator. The T4-T toggle switch provides a 4-way momentary toggle action with detent providing a positive click action. The T4-T series provides Commercial and Military grade switching with a positive click action, ideal for grip applications in aircraft and off-road equipment.

## Features:

- Positive detent
- 4-way momentary toggle action
- Positive click action
- Low level switching
- Water resistant per MIL-STD-810F; method 506.4, procedure 3 (drip)
- Available in Commercial & Military grades
- Variety of button styles & colors available
- RoHS/WEEE/Reach compliant

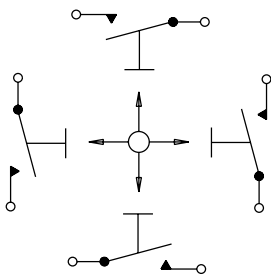


Standard Characteristics/Ratings:	
<b>ELECTRICAL RATINGS:</b>	
<b>Load</b>	<b>Sea Level @ 28VDC</b>
Resistive	2A
Inductive	1A
DVVV	1050Vrms
Low Level	10mA @ 30mV
<b>Electrical Life:</b>	100,000 cycles
<b>Mechanical Life:</b>	500,000 cycles
<b>Seal:</b>	Water resistant per MIL-STD-810F, method 506.4, procedure 3 (drip)
<b>Operating Temp Range:</b>	-55°C to +85°C
<b>Operating Force:</b>	0.75 lb. +/- 0.25 lb.
<b>Overtravel:</b>	1.5° min
<b>Pretravel:</b>	9.5° max
<b>Return Point:</b>	4° min
<b>MATERIALS:</b>	
<b>Case:</b>	Thermoplastic
<b>Button:</b>	Thermoplastic
<b>Terminals:</b>	Beryllium copper or brass Gold over silver for low level
<b>Mounting Hardware:</b>	None provided

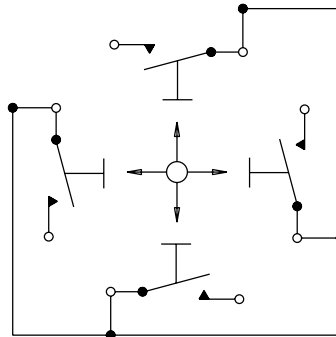
# T4-T TACTILE MINI TRIM

**MT**  
T4-T TACTILE  
MINI TRIM

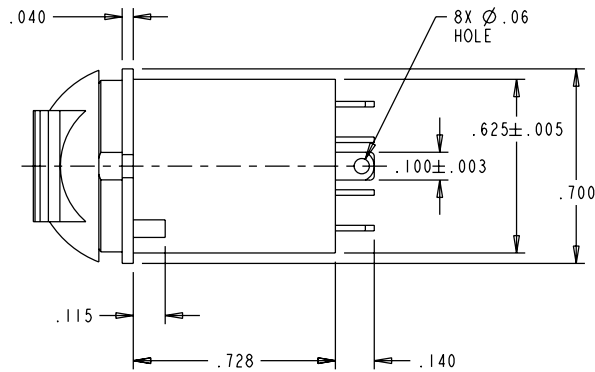
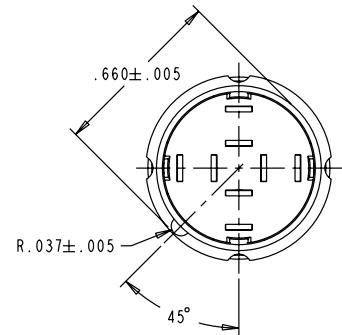
4-WAY MOMENTARY TOGGLE WITH TACTILE RESPONSE



SPST-NO  
4 WAY  
SCHEMATIC

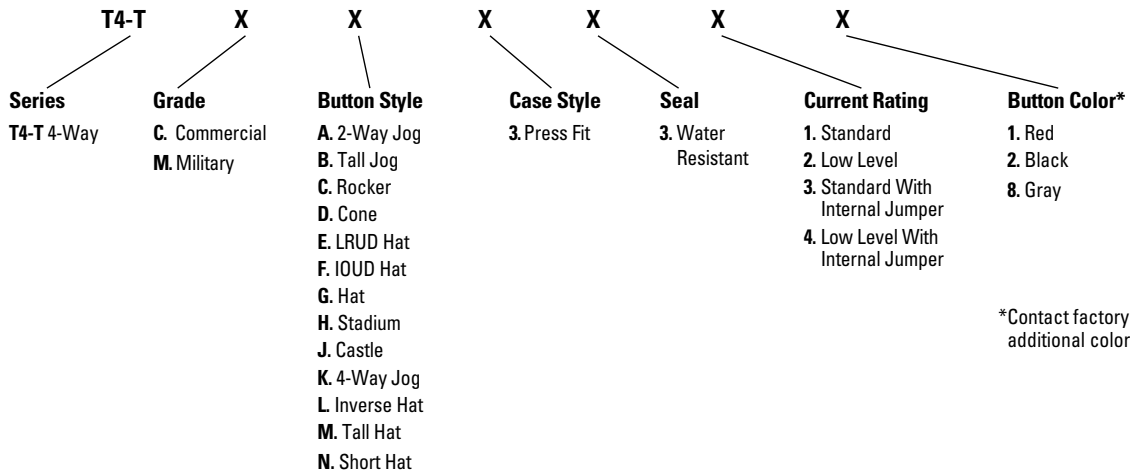


SPST-NO  
4 WAY WITH JUMPER  
SCHEMATIC



(2-Way Jog Button Shown)

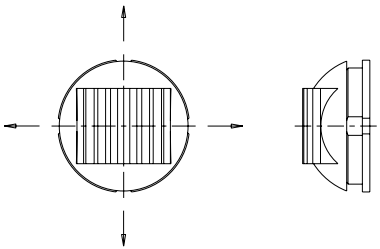
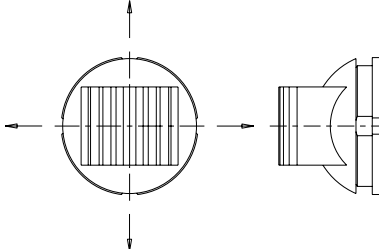
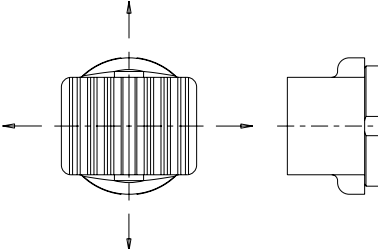
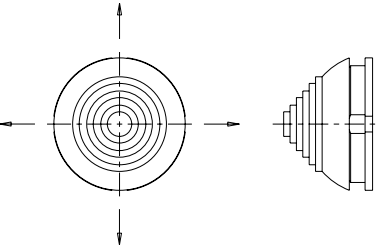
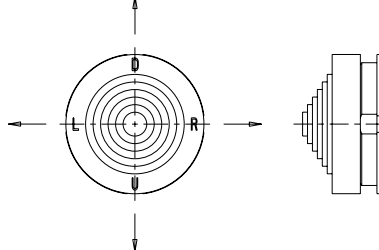
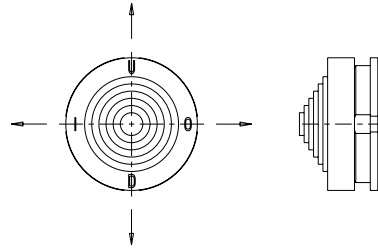
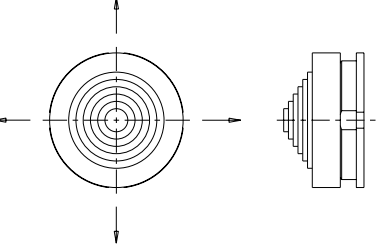
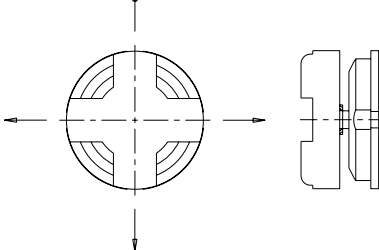
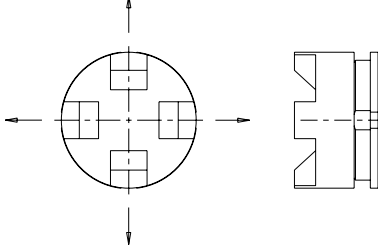
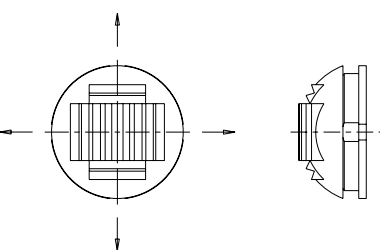
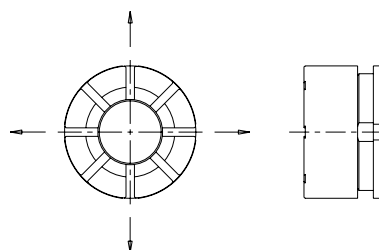
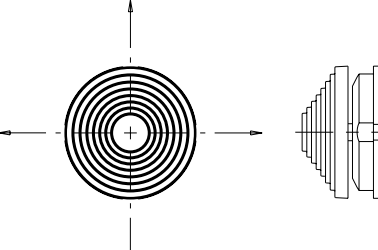
## T4-T PART NUMBER CODE



\*Contact factory for additional colors.

# T4-T TACTILE BUTTON STYLES

4-WAY MOMENTARY TOGGLE WITH TACTILE RESPONSE

<p><b>A - 2-WAY JOG</b></p> 	<p><b>B - TALL JOG</b></p> 	<p><b>C - ROCKER</b></p> 
<p><b>D - CONE</b></p> 	<p><b>E - LRUD HAT</b></p> 	<p><b>F - IOUD HAT</b></p> 
<p><b>G - HAT</b></p> 	<p><b>H - STADIUM</b></p> 	<p><b>J - CASTLE</b></p> 
<p><b>K - JOG</b></p> 	<p><b>L - INVERSE HAT</b></p> 	<p><b>M - 4-WAY TALL HAT</b></p> 
<p><b>N - 4-WAY SHORT HAT</b></p> 