

GXL SERIES

Micro-size Inductive Proximity Sensor



High Performance
in Micro-size Design

CE Marked
Conforming to EMC Directive

Wide Model Variety

Models ranging from extremely compact type to long sensing range type are available to suit various applications.

Versatile Mounting

Since the sensor is fingertip size, it can be mounted in a tight space.

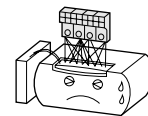


Reduced Wiring Operation

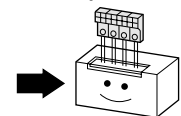
The wiring cost of the DC 2-wire type is 2/3 that of a conventional model. Besides, the possibility of miswiring is reduced.

Particularly convenient when many sensors are used.

Wiring of the 3-wire type is cumbersome.

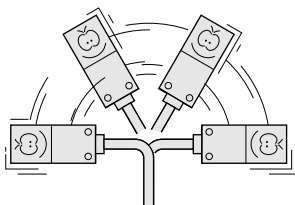


Wiring of the 2-wire type is simple and neat.



Inflection Resistant Cable Type

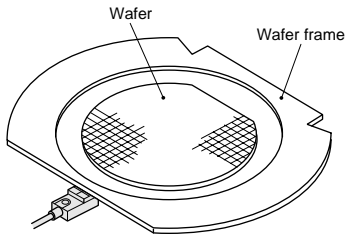
The inflection resistance of its cable is ten times that of the conventional model. The sensor can be mounted on a moving table or a robot arm.



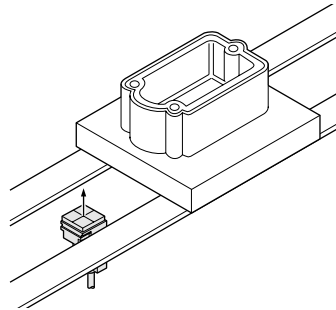
※ Except PNP output type and 5m cable attached NPN output type

APPLICATIONS

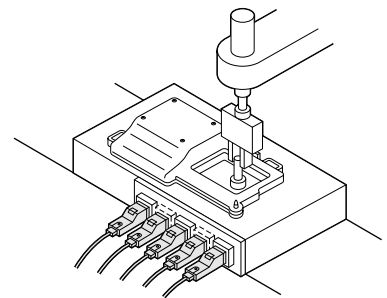
Detecting wafer frame



Detecting aluminum pallet



Code reading



ORDER GUIDE

GXL-8 type

Type	Appearance (mm)	Sensing range (Note 1)	Model No. (Note 2)	Output	Output operation	
DC 2-wire	Front sensing 		GXL-8FU	Non-contact DC 2-wire type	Normally open	
			GXL-8FUI		Normally closed	
			GXL-8FUB		Normally open	
	Top sensing 		GXL-8FUIB		Normally closed	
			GXL-8HU		Normally open	
			GXL-8HUI		Normally closed	
NPN output	Front sensing 		GXL-8HUB	NPN open-collector transistor	Normally closed	
			Top sensing 		GXL-8F	Normally open
					GXL-8FI	Normally closed
					GXL-8FB	Normally open
					GXL-8FIB	Normally closed
	GXL-8H				Normally open	
	Top sensing 		GXL-8HI		Normally open	
			GXL-8HB		Normally closed	
			GXL-8HIB		Normally closed	

Notes: 1) The maximum operation distance stands for the maximum distance for which the sensor can detect the standard sensing object.
The stable sensing range stands for the sensing range for which the sensor can stably detect the standard sensing object even if there is an ambient temperature drift and/or supply voltage fluctuation.
2) 'I' in the model No. indicates a different frequency type.

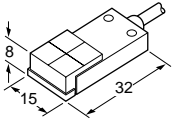
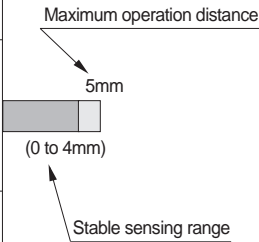
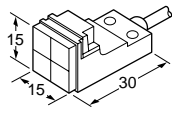
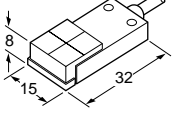
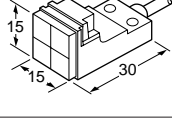
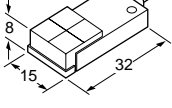

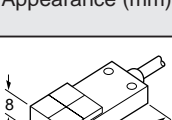

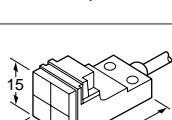
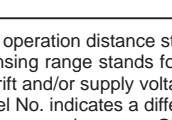
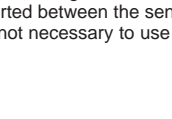
GXL-N12 type

Type	Appearance (mm)	Sensing range (Note 1)	Model No. (Note 2)	Output	Output operation
NPN output	Cable type 		GXL-N12F (Note 3)	NPN open-collector transistor	Normally open
			GXL-N12FI (Note 3)		Normally closed
			GXL-N12FB		Normally open
	Terminal type 		GXL-N12FIB		Normally closed
			GXL-N12FT (Note 3)		Normally open
			GXL-N12FTI (Note 3)		Normally closed
PNP output	Cable type 		GXL-N12FTB	PNP open-collector transistor	Normally open
			GXL-N12FTIB		Normally closed
			GXL-N12F-P		Normally open
			GXL-N12FI-P		Normally closed
	Terminal type 		GXL-N12FB-P		Normally open
			GXL-N12FIB-P		Normally closed
			GXL-N12FT-P		Normally open
			GXL-N12FTI-P		Normally closed
Terminal type 	GXL-N12FTB-P	Normally open			
	GXL-N12FTIB-P	Normally closed			

Notes: 1) The maximum operation distance stands for the maximum distance for which the sensor can detect the standard sensing object.
The stable sensing range stands for the sensing range for which the sensor can stably detect the standard sensing object even if there is an ambient temperature drift and/or supply voltage fluctuation.
2) 'I' in the model No. indicates a different frequency type.
3) These models, with normally open NPN output, are also available as 5V supply voltage type. Please contact our office for details.

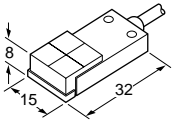
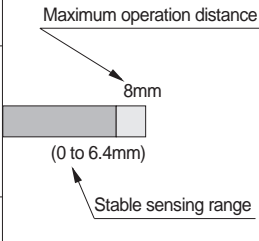
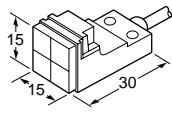
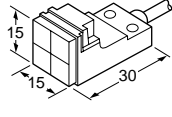
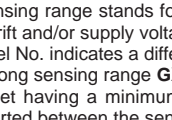


ORDER GUIDE

GXL-15 (Standard) type

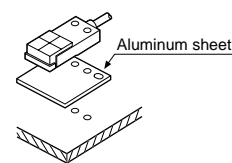
Type	Appearance (mm)	Sensing range (Note 1)	Model No. (Note 2)	Output	Output operation	
DC 2-wire	Front sensing 		GXL-15FU	Non-contact DC 2-wire type	Normally open	
	Top sensing 		GXL-15FUI		Normally closed	
Front sensing 			GXL-15FUB		Normally open	
	Top sensing 		GXL-15FUIB		Normally closed	
NPN output			Front sensing 		GXL-15HU	NPN open-collector transistor
	Top sensing 		GXL-15HUI		Normally closed	
Front sensing 			GXL-15HUB	Normally open		
	Top sensing 		GXL-15HUIB	Normally closed		
PNP output			Front sensing 	GXL-15F	PNP open-collector transistor	
	GXL-15FI			Normally closed		
	Top sensing 		GXL-15FIB	Normally open		
			GXL-15H	Normally closed		
	Front sensing 	GXL-15HI	Normally open			
		GXL-15HIB	Normally closed			

Notes: 1) The maximum operation distance stands for the maximum distance for which the sensor can detect the standard sensing object.
The stable sensing range stands for the sensing range for which the sensor can stably detect the standard sensing object even if there is an ambient temperature drift and/or supply voltage fluctuation.
2) ' I ' in the model No. indicates a different frequency type.

GXL-15 (Long sensing range) type --- For mounting on non-magnetic material (Note 3)

Type	Appearance (mm)	Sensing range (Note 1)	Model No. (Note 2)	Output	Output operation	
DC 2-wire	Front sensing 		GXL-15FLU	Non-contact DC 2-wire type	Normally open	
	Top sensing 		GXL-15FLUI		Normally closed	
Front sensing 			GXL-15FLUB		Normally open	
	Top sensing 		GXL-15FLUIB		Normally closed	
NPN output			Front sensing 		GXL-15HLU	NPN open-collector transistor
	GXL-15HLUI				Normally closed	
	Top sensing 		GXL-15HLUB	Normally open		
			GXL-15HLUIB	Normally closed		
	Front sensing 		GXL-15HL	Normally open		
			GXL-15HLB	Normally closed		

Notes: 1) The maximum operation distance stands for the maximum distance for which the sensor can detect the standard sensing object.
The stable sensing range stands for the sensing range for which the sensor can stably detect the standard sensing object even if there is an ambient temperature drift and/or supply voltage fluctuation.
2) ' I ' in the model No. indicates a different frequency type.
3) To mount the long sensing range **GXL-15** on a magnetic body, such as iron, the enclosed aluminum sheet, or any other aluminum sheet having a minimum size of 30 × 39.5 × 0.3mm (**GXL-15HLU**□ / **GXL-15HL**□: 30 × 30 × 0.3mm), should be inserted between the sensor and the magnetic body. However, it is not necessary to use the aluminum sheet when mounting on a non-magnetic body, such as, aluminum or an insulator.



ORDER GUIDE

Inflection resistant cable type and 5m cable length type

Inflection resistant cable type and 5m cable length type are also available.

• **Table of Model Nos.**

Type	Standard	Inflection resistant cable type	5m cable length type	Inflection resistant cable & 5m cable length type	
DC 2-wire	Front sensing	GXL-8FU	GXL-8FU-R	GXL-8FU-C5	GXL-8FU-R-C5
		GXL-8FUI	GXL-8FUI-R	GXL-8FUI-C5	GXL-8FUI-R-C5
		GXL-8FUB	GXL-8FUB-R	GXL-8FUB-C5	GXL-8FUB-R-C5
	Top sensing	GXL-8FUIB	GXL-8FUIB-R	GXL-8FUIB-C5	GXL-8FUIB-R-C5
		GXL-8HU	GXL-8HU-R	GXL-8HU-C5	GXL-8HU-R-C5
		GXL-8HUI	GXL-8HUI-R	GXL-8HUI-C5	GXL-8HUI-R-C5
	Front sensing	GXL-8HUB	GXL-8HUB-R	GXL-8HUB-C5	GXL-8HUB-R-C5
		GXL-8HUIB	GXL-8HUIB-R	GXL-8HUIB-C5	GXL-8HUIB-R-C5
		GXL-15FU	GXL-15FU-R	GXL-15FU-C5	GXL-15FU-R-C5
	Top sensing	GXL-15FUI	GXL-15FUI-R	GXL-15FUI-C5	GXL-15FUI-R-C5
		GXL-15FUB	GXL-15FUB-R	GXL-15FUB-C5	GXL-15FUB-R-C5
		GXL-15FUIB	GXL-15FUIB-R	GXL-15FUIB-C5	GXL-15FUIB-R-C5
	Front sensing	GXL-15HU	GXL-15HU-R	GXL-15HU-C5	GXL-15HU-R-C5
		GXL-15HUI	GXL-15HUI-R	GXL-15HUI-C5	GXL-15HUI-R-C5
		GXL-15HUB	GXL-15HUB-R	GXL-15HUB-C5	GXL-15HUB-R-C5
	Top sensing	GXL-15HUIB	GXL-15HUIB-R	GXL-15HUIB-C5	GXL-15HUIB-R-C5
		GXL-15FLU	GXL-15FLU-R	GXL-15FLU-C5	GXL-15FLU-R-C5
		GXL-15FLUI	GXL-15FLUI-R	GXL-15FLUI-C5	GXL-15FLUI-R-C5
	Front sensing	GXL-15FLUB	GXL-15FLUB-R	GXL-15FLUB-C5	GXL-15FLUB-R-C5
		GXL-15FLUIB	GXL-15FLUIB-R	GXL-15FLUIB-C5	GXL-15FLUIB-R-C5
		GXL-15HLU	GXL-15HLU-R	GXL-15HLU-C5	GXL-15HLU-R-C5
	Top sensing	GXL-15HLUI	GXL-15HLUI-R	GXL-15HLUI-C5	GXL-15HLUI-R-C5
		GXL-15HLUB	GXL-15HLUB-R	GXL-15HLUB-C5	GXL-15HLUB-R-C5
		GXL-15HLUIB	GXL-15HLUIB-R	GXL-15HLUIB-C5	GXL-15HLUIB-R-C5
NPN output	Front sensing	GXL-8F	GXL-8F-R	GXL-8F-C5	
		GXL-8FI	GXL-8FI-R	GXL-8FI-C5	
		GXL-8FB	GXL-8FB-R	GXL-8FB-C5	
	Top sensing	GXL-8FIB	GXL-8FIB-R	GXL-8FIB-C5	
		GXL-8H	GXL-8H-R	GXL-8H-C5	
		GXL-8HI	GXL-8HI-R	GXL-8HI-C5	
	Front sensing	GXL-8HB	GXL-8HB-R	GXL-8HB-C5	
		GXL-8HIB	GXL-8HIB-R	GXL-8HIB-C5	
		GXL-N12F	GXL-N12F-R	GXL-N12F-C5	
	Top sensing	GXL-N12FI	GXL-N12FI-R	GXL-N12FI-C5	
		GXL-N12FB	GXL-N12FB-R	GXL-N12FB-C5	
		GXL-N12FIB	GXL-N12FIB-R	GXL-N12FIB-C5	
	Front sensing	GXL-N12FT			
		GXL-N12FTI			
		GXL-N12FTB			
	Top sensing	GXL-N12FTIB			
		GXL-15F	GXL-15F-R	GXL-15F-C5	
		GXL-15FI	GXL-15FI-R	GXL-15FI-C5	
	Front sensing	GXL-15FB	GXL-15FB-R	GXL-15FB-C5	
		GXL-15FIB	GXL-15FIB-R	GXL-15FIB-C5	
		GXL-15H			
	Top sensing	GXL-15HI			
		GXL-15HB			
		GXL-15HIB			
Front sensing	GXL-15HL				
	GXL-15HLI				
	GXL-15HLB				
Top sensing	GXL-15HLIB				
	GXL-N12F-P		GXL-N12F-P-C5		
	GXL-N12FI-P		GXL-N12FI-P-C5		
Front sensing	GXL-N12FB-P		GXL-N12FB-P-C5		
	GXL-N12FIB-P		GXL-N12FIB-P-C5		
	GXL-N12FT-P				
Top sensing	GXL-N12FTI-P				
	GXL-N12FTB-P				
	GXL-N12FTIB-P				
Front sensing	GXL-15F-P		GXL-15F-P-C5		
	GXL-15FI-P		GXL-15FI-P-C5		
	GXL-15FB-P		GXL-15FB-P-C5		
Top sensing	GXL-15FIB-P		GXL-15FIB-P-C5		

GXL

GL-6

GL-8U

Amplifier Built-in Type

GL-N12

GL-18H/18HL

GX-U

GX-N

GX

Amplifier-separated Type
GA-10/GH

GXL

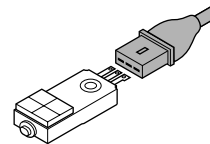
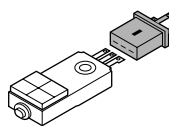
OPTIONS

Designation	Model No.	Description
Connector	CN-13	Connector for the terminal type
	CN-13-C1	Length: 1m
	CN-13-C3	Length: 3m
Sensor mounting bracket	MS-GXL8-3	Mounting bracket for NPN output of GXL-8 type
	MS-GXL12-2	Mounting bracket for GXL-N12 type
	MS-GXL15	Mounting bracket for GXL-15 type
	MS-GXL15-2	Mounting bracket for GXL-15F type

Connector

- CN-13

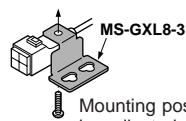
- CN-13-C1
- CN-13-C3



Sensor mounting bracket

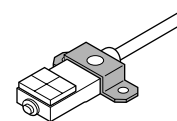
- MS-GXL8-3

- MS-GXL12-2



Mounting position can be adjusted. It is rust-free, being stainless steel.

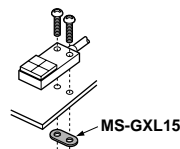
A set of one pan head screw and two screws with washers is attached.



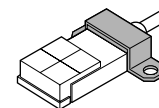
Screws are not supplied.

- MS-GXL15

- MS-GXL15-2



Screws are not supplied.



SPECIFICATIONS

DC 2-wire type

Item	Standard Model No.	GXL-8 type		GXL-15 type			
		Front sensing	Top sensing	Standard		Long sensing range (For mounting on non-magnetic body) (Note 1)	
				Front sensing	Top sensing	Front sensing	Top sensing
		GXL-8FU	GXL-8HU	GXL-15FU	GXL-15HU	GXL-15FLU	GXL-15HLU
Max. operation distance (Note 2)		2.5mm ± 20%		5mm ± 10%		8mm ± 10%	
Stable sensing range (Note 2)		0 to 1.8mm		0 to 4mm		0 to 6.4mm	
Standard sensing object		Iron sheet 15 × 15 × t1mm		Iron sheet 20 × 20 × t1mm		Iron sheet 30 × 30 × t1mm	
Hysteresis		20% or less of operation distance					
Repeatability		Along sensing axis, perpendicular to sensing axis: 0.04mm or less					
Supply voltage		12 to 24V DC ± 10% Ripple P-P 10% or less					
Current consumption (Note 3)		0.8mA or less					
Output		Non-contact DC 2-wire type • Load current: 3 to 70mA (Note 4) • Residual voltage: 3V or less (Note 5)		Non-contact DC 2-wire type • Load current: 3 to 100mA (Note 4) • Residual voltage: 3V or less (Note 5)			
Utilization category		DC-12 or DC-13					
Short-circuit protection		Incorporated					
Max. response frequency		1kHz					
Operation indicator		Normally closed type: Red LED (lights up when the output is ON)					
2-color indicator		Normally open type: Lights up in green under stable sensing condition Lights up in red under unstable sensing condition					
Environmental resistance	Pollution degree		3 (Industrial environment)				
	Protection		IP67 (IEC), IP67g (JEM)				
	Ambient temperature		− 25 to + 70°C, Storage: − 30 to + 80°C				
	Ambient humidity		45 to 85% RH, Storage: 35 to 95% RH				
	EMC		Emission: EN50081-2, Immunity: EN50082-2				
	Voltage withstandability		1,000V AC for one min. between all supply terminals connected together and enclosure				
	Insulation resistance		50MΩ, or more, with 250V DC megger between all supply terminals connected together and enclosure				
	Vibration resistance		10 to 55Hz frequency, 1.5mm amplitude in X, Y and Z directions for two hours each				
	Shock resistance		1,000m/s ² acceleration (100G approx.) in X, Y and Z directions for three times each				
Sensing range variation	Temperature characteristics		Over ambient temperature range − 25 to + 70°C: within $\pm 15\%$ of sensing range at 20°C				
	Voltage characteristics		Within ± 2% for ± 10% fluctuation of the supply voltage				
Material		Enclosure: PBT, Indicator part: Polyallylate		Enclosure: PET (Glass fiber reinforced) Indicator part: Polyallylate		Enclosure: PBT Indicator part: Polyallylate	
Cable (Note 6)		0.15mm ² 2-core oil, heat and cold resistant cable, 1m long		0.2mm ² 2-core oil, heat and cold resistant cable, 1m long			
Cable extension		Extension up to total 50m is possible with 0.3mm ² , or more, cable.					
Weight		12g approx.		20g approx.			
Accessory		MS-GXL8-4 (Sensor mounting bracket): 1 set				MS-A15F (Aluminum sheet): 1 No. MS-A15H (Aluminum sheet): 1 No.	

- Notes: 1) To mount the long sensing range **GXL-15** type on a magnetic body, such as iron, the enclosed aluminum sheet, or any other aluminum sheet having a minimum size of 30 × 39.5 × t0.3mm (**GXL-15HLU** type: 30 × 30 × t0.3mm), should be inserted between the sensor and the magnetic body. However, it is not necessary to use the aluminum sheet when mounting on a non-magnetic body, such as, aluminum or an insulator.
- 2) The maximum operation distance stands for the maximum distance for which the sensor can detect the standard sensing object. The stable sensing range stands for the sensing range for which the sensor can stably detect the standard sensing object even if there is an ambient temperature drift and/or supply voltage fluctuation.
- 3) It is the leakage current when the output is in the OFF state.
- 4) The maximum load current varies with the ambient temperature. Refer to 'I/O CIRCUIT AND WIRING DIAGRAMS' for more details.
- 5) When the cable is extended, the residual voltage becomes larger according to the resistance of the cable. The residual voltage of 5m cable length type increases by 0.1V.
- 6) The inflection resistant cable type (model No. with suffix '-R') has a 0.15mm² (**GXL-15** type: 0.2mm²) inflection, oil, heat and cold resistant cable, 1m long.

GXL

GL-6

GL-8U

Amplifier Built-in Type

GL-N12

GL-18H/18HL

GL-18H/18HL

GX-U

GX-N

GX

Amplifier-separated Type

GA-10/GH

SPECIFICATIONS

NPN and PNP output type

Type	NPN output							PNP output			
	GXL-8 type		GXL-N12 type		GXL-15 type			GXL-N12 type		GXL-15 type	
			Cable type	Terminal type	Standard			Long sensing range (For mounting on non-magnetic body (Note 1))	Cable type	Terminal type	Standard
Standard model No.	Front sensing	Top sensing	Front sensing		Front sensing	Top sensing	Top sensing		Front sensing		Front sensing
Item	GXL-8F	GXL-8H	GXL-N12F	GXL-N12FT	GXL-15F	GXL-15H	GXL-15HL	GXL-N12F-P	GXL-N12FT-P	GXL-15F-P	
Max. operation distance (Note 2)	2.5mm ± 20%		3mm ± 10%		5mm ± 10%			8mm ± 10%		3mm ± 10%	5mm ± 10%
Stable sensing range (Note 2)	0 to 1.8mm		0 to 2mm		0 to 4mm			0 to 6.4mm		0 to 2mm	0 to 4mm
Standard sensing object	Iron sheet 15 × 15 × 1mm		Iron sheet 20 × 20 × 1mm				Iron sheet 30 × 30 × 1mm	Iron sheet 20 × 20 × 1mm			
Hysteresis	20% or less of operation distance										
Repeatability	Along sensing axis, perpendicular to sensing axis: 0.04mm or less						Along sensing axis, perpendicular to sensing axis: 0.06mm or less		Along sensing axis, perpendicular to sensing axis: 0.04mm or less		
Supply voltage	12 to 24V DC ± 10% Ripple P-P 10% or less										
Current consumption	15mA or less										
Output	NPN open-collector transistor • Maximum sink current: 100mA • Applied voltage: 30V DC or less (between output and 0V) • Residual voltage: 1V or less (at 100mA sink current) 0.4V or less (at 16mA sink current)							PNP open-collector transistor • Maximum source current: 100mA • Applied voltage: 30V DC or less (between output and +V) • Residual voltage: 1V or less (at 100mA source current) 0.4V or less (at 16mA source current)			
Utilization category	DC-12 or DC-13										
Short-circuit protection	—										
Max. response frequency	500Hz				250Hz			500Hz		250Hz	
Operation indicator	Red LED (lights up when the output is ON)										
Environmental resistance	Pollution degree	3 (Industrial environment)									
	Protection	IP67 (IEC), IP67g (JEM) except for the terminal type									
	Ambient temperature	- 10 to + 55°C, Storage: - 30 to + 80°C									
	Ambient humidity	45 to 85% RH, Storage: 35 to 95% RH									
	EMC	Emission: EN50081-2, Immunity: EN50082-2									
	Voltage withstandability	1,000V AC for one min. between all supply terminals connected together and enclosure									
	Insulation resistance	50MΩ, or more, with 250V DC megger between all supply terminals connected together and enclosure									
	Vibration resistance	10 to 55Hz frequency, 1.5mm amplitude in X, Y and Z directions for two hours each									
Shock resistance	1,000m/s ² acceleration (100G approx.) in X, Y and Z directions for three times each										
Sensing range variation	Temperature characteristics	Over ambient temperature range - 10 to + 55°C: within $\pm \frac{15}{10}$ % of sensing range at 20°C									
	Voltage characteristics	Within ± 2% for ± 10% fluctuation of the supply voltage									
Material	Enclosure: PBT, Indicator part: Polyallylate					Enclosure: PET (Glass fiber reinforced) Indicator part: Polyallylate		Enclosure: PBT Indicator part: Polyallylate			
Cable (Note 3)	0.08mm ² 3-core oil, heat and cold resistant cabtyre cable, 1m long		0.15mm ² 3-core oil, heat and cold resistant cabtyre cable, 1m long		0.15mm ² 3-core oil, heat and cold resistant cabtyre cable, 1m long					0.15mm ² 3-core oil, heat and cold resistant cabtyre cable, 1m long	
Cable extension	Extension up to total 100m is possible with 0.3mm ² , or more, cable.										
Weight	12g approx.		20g approx.		5g approx.			20g approx.		5g approx.	
Accessories	MS-GXL8 (Sensor mounting bracket): 1 set		MS-GXL12-1 (Sensor mounting bracket): 1 No. M3 pan head screw, plain washer, spring washer and nut: 1 set MS-R1 (Rubber washer): 1 No.					MS-A15H (Aluminum sheet): 1 No.		MS-GXL12-1 (Sensor mounting bracket): 1 No. M3 pan head screw, plain washer, spring washer and nut: 1 set MS-R1 (Rubber washer): 1 No.	

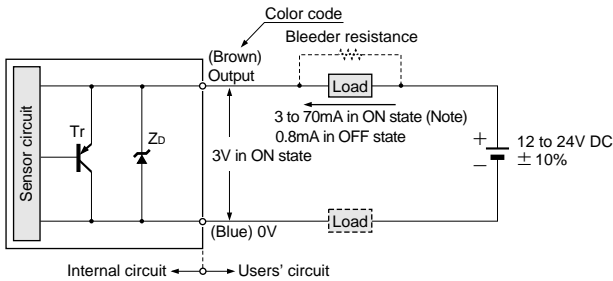
- Notes: 1) To mount the long sensing range GXL-15 type on a magnetic body, such as iron, the enclosed aluminum sheet or any other aluminum sheet having a minimum size of 30 × 30 × 10.3mm, should be inserted between the sensor and the magnetic body. However, it is not necessary to use the aluminum sheet when mounting on a non-magnetic body, such as, aluminum or an insulator.
- 2) The maximum operation distance stands for the maximum distance for which the sensor can detect the standard sensing object. The stable sensing range stands for the sensing range for which the sensor can stably detect the standard sensing object even if there is an ambient temperature drift and/or supply voltage fluctuation.
- 3) The inflection resistant cable type (model No. with suffix '-R') has a 0.15mm² (GXL-8 type: 0.1mm²) inflection, oil, heat and cold resistant cabtyre cable, 1m long.

I/O CIRCUIT AND WIRING DIAGRAMS

DC 2-wire type

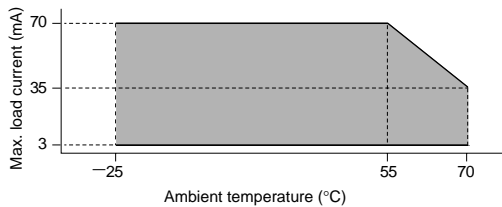
GXL-8FU/GXL-8HU type

I/O circuit diagram

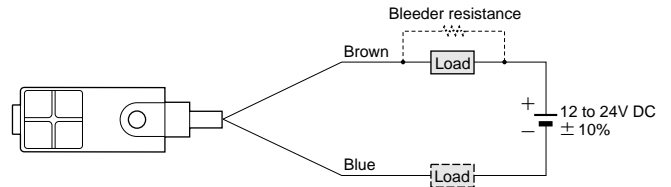


Symbols ... Zd: Surge absorption zener diode
Tr: PNP output transistor

Note: The maximum load current varies depending on the ambient temperature.



Wiring diagram

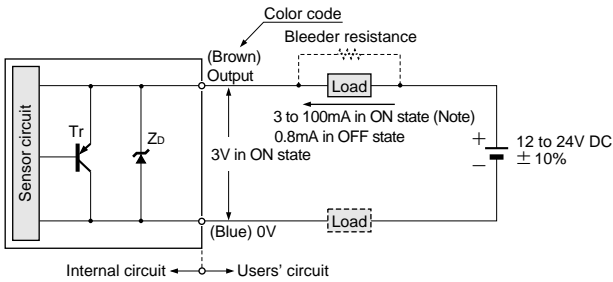


Conditions for the load

- 1) The load should not be actuated by the leakage current (0.8mA) in the OFF state.
- 2) The load should be actuated by (supply voltage - 3V) in the ON state.
- 3) The current in the ON state should be between 3 to 70mA DC.
[In case the current is less than 3mA, connect a bleeder resistance]
[in parallel to the load so that a current of 3mA, or more, flows.]

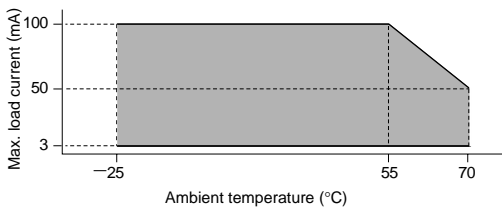
GXL-15FU/GXL-15HU/GXL-15FLU/GXL-15HLU type

I/O circuit diagram

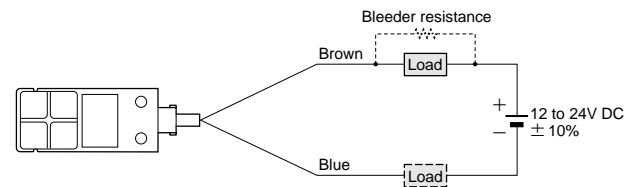


Symbols ... Zd: Surge absorption zener diode
Tr: PNP output transistor

Note: The maximum load current varies depending on the ambient temperature.



Wiring diagram



Conditions for the load

- 1) The load should not be actuated by the leakage current (0.8mA) in the OFF state.
- 2) The load should be actuated by (supply voltage - 3V) in the ON state.
- 3) The current in the ON state should be between 3 to 100mA DC.
[In case the current is less than 3mA, connect a bleeder resistance]
[in parallel to the load so that a current of 3mA, or more, flows.]

GXL

GL-6

GL-8U

Amplifier Built-in Type

GL-N12

GL-18H/18HL

GX-U

GX-N

GX

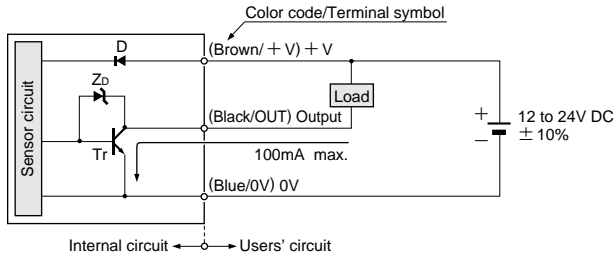
Amplifier-separated Type

GA-10/GH

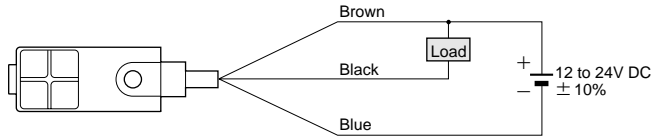
I/O CIRCUIT AND WIRING DIAGRAMS

NPN output type

I/O circuit diagram



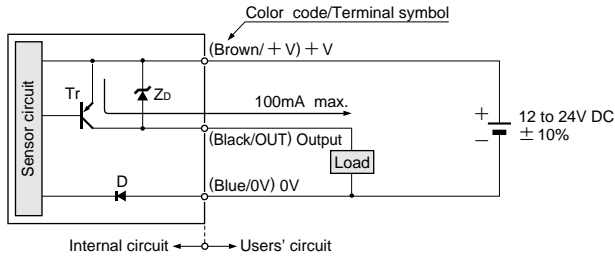
Wiring diagram



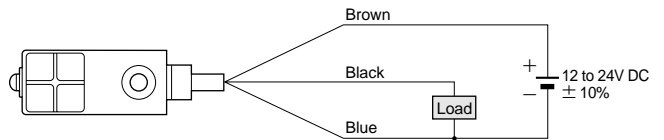
Symbols ... D: Reverse supply polarity protection diode
 Zd: Surge absorption zener diode
 Tr: NPN output transistor

PNP output type

I/O circuit diagram



Wiring diagram



Symbols ... D: Reverse supply polarity protection diode
 Zd: Surge absorption zener diode
 Tr: PNP output transistor

GXL

GL-6

GL-8U

GL-N12
 Amplifier Built-in Type

GL-18H/18HL

GX-U

GX-N

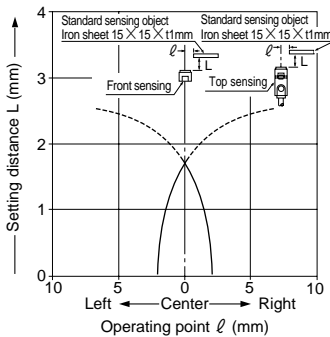
GX

GA-10/GH
 Amplifier-separated Type

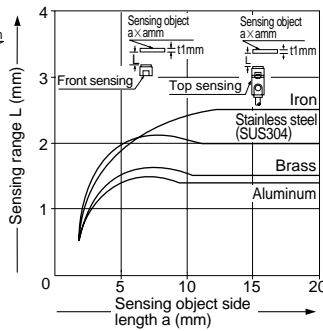
SENSING CHARACTERISTICS (TYPICAL)

GXL-8 type

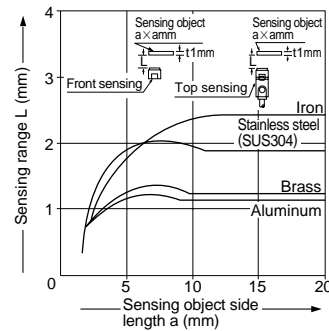
Sensing field (common)



Correlation between sensing object size and sensing range (DC 2-wire type)



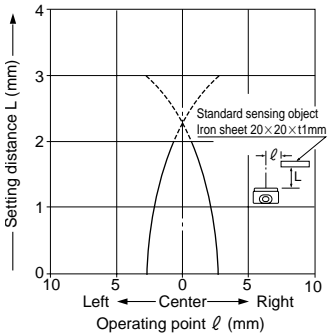
Correlation between sensing object size and sensing range (NPN output type)



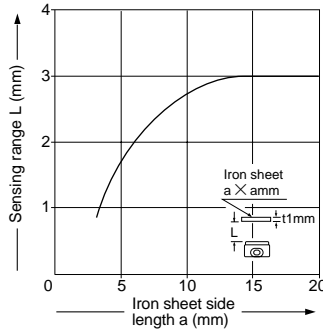
As the sensing object size becomes smaller than the standard size (iron sheet $15 \times 15 \times t1$ mm), the sensing range shortens as shown in the left figures.

GXL-N12 type

Sensing field



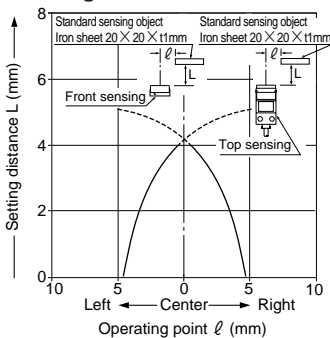
Correlation between sensing object size and sensing range



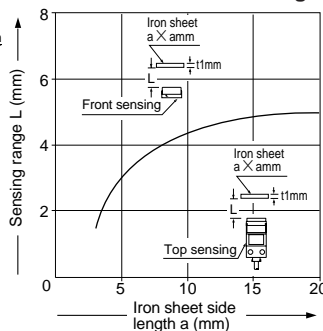
As the sensing object size becomes smaller than the standard size (iron sheet $20 \times 20 \times t1$ mm), the sensing range shortens as shown in the left figure.

GXL-15 (Standard) type

Sensing field



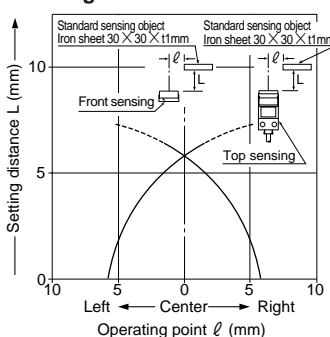
Correlation between sensing object size and sensing range



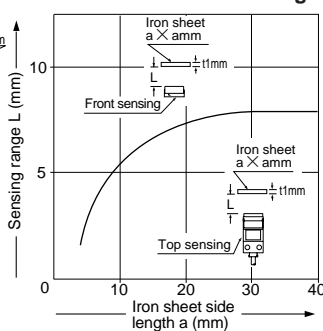
As the sensing object size becomes smaller than the standard size (iron sheet $20 \times 20 \times t1$ mm), the sensing range shortens as shown in the left figure.

GXL-15 (Long sensing range) type

Sensing field



Correlation between sensing object size and sensing range



As the sensing object size becomes smaller than the standard size (iron sheet $30 \times 30 \times t1$ mm), the sensing range shortens as shown in the left figure.

GXL

GL-6

GL-8U

Amplifier Built-in Type
GL-18H/18HL
GL-N12

GX-U

GX-N

GX

Amplifier-separated Type
GA-10/GH

PRECAUTIONS FOR PROPER USE

Refer to P.836~ for general precautions.

All models



This product is not a safety sensor. Its use is not intended or designed to protect life and prevent body injury or property damage from dangerous parts of machinery. It is a normal object detection sensor.

Mounting

GXL-8 (DC 2-wire) type

The tightening torque should be 0.5N·m or less.

To mount the sensor with a nut, the thru-hole diameter should be $\phi 3.4$ mm. With the attached mounting screw and nut, take care that the thickness of the mounting plate should be 2.3mm or less.

If a screw other than the attached screw is used, make sure to use a M3 truss head screw. (Do not use a flat head screw) or a pan head screw.

GXL-8 (NPN output) type

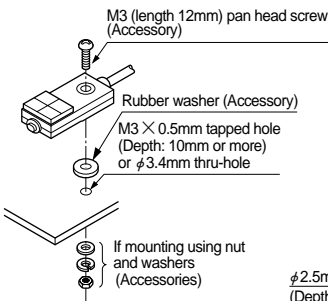
The tightening torque should be 0.5N·m or less.

To mount the sensor with a nut, the thru-hole diameter should be $\phi 3$ mm. With the attached mounting screw and nut, take care that the thickness of the mounting plate should be 2.3mm or less.

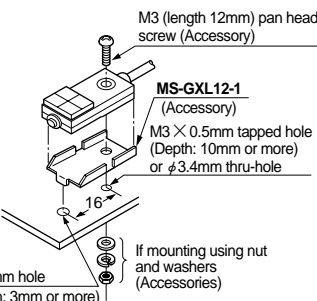
If a screw other than the attached screw is used, make sure to use a M2.6 truss head screw.
Note: Do not use a M3 screw.

GXL-N12 type

<One point fixing>



<Two point fixing>



The tightening torque should be 0.49N·m or less.
To mount the sensor with a nut, the thru-hole diameter should be $\phi 3.4$ mm.

GXL-15 type

The tightening torque should be 1N·m or less.

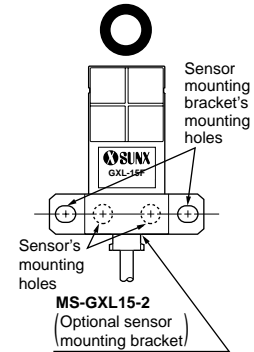
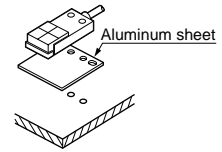
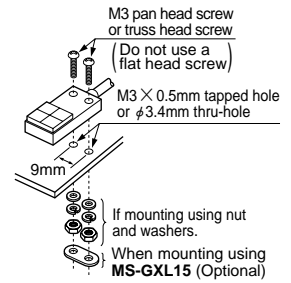
To mount the sensor with the optional sensor mounting bracket **MS-GXL15**, the thru-hole diameter should be $\phi 3.4$ mm.

Screw, nut or washers are not supplied. Please arrange them separately.

To mount the long sensing range **GXL-15** type on a magnetic body, such as iron, the enclosed aluminum sheet, or any other aluminum sheet having a minimum size of $30 \times 39.5 \times t0.3$ mm (**GXL-15HLU**□/ **GXL-15HL**□: $30 \times 30 \times t0.3$ mm), should be inserted between the sensor and the magnetic body.

However, it is not necessary to use the aluminum sheet when mounting on a non-magnetic body, such as, aluminum or an insulator.

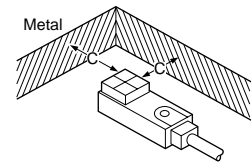
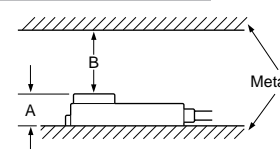
When mounting the inductive proximity sensor with the optional sensor mounting bracket **MS-GXL15-2**, if the bracket is mounted close to the sensing part, the bracket itself gets sensed and the operation becomes unstable. Make sure to mount such that the mounting holes of the sensor and those of the mounting bracket are in one horizontal straight line.



Influence of surrounding metal

When there is a metal near the sensor, keep the minimum separation distance specified below.

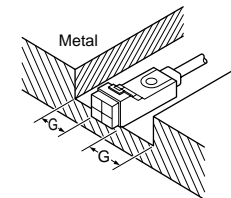
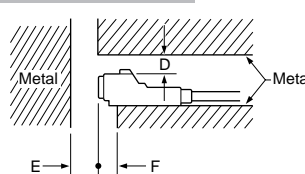
Front sensing type



	GXL-8F type	GXL-N12F type	GXL-15FU/GXL-15F type	GXL-15FLU type
A	7mm	7mm	8mm	8mm (Note)
B	8mm	20mm	20mm	30mm
C	3mm	10mm	7mm	10mm

Note: The **GXL-15FLU** type should be mounted on an insulator or a non-magnetic body. To mount it on a magnetic body, such as iron, use the enclosed aluminum sheet.

Top sensing type



	GXL-8H type	GXL-15HU/GXL-15H type	GXL-15HLU/GXL-15HL type
D	4mm	6mm	12mm
E	10mm	20mm	30mm
F	3mm	0mm	10mm (Note)
G	3mm	3mm	10mm

Note: When **GXL-15HLU/GXL-15HL** type is mounted on an insulator or a non-magnetic body, or seated on the enclosed aluminum sheet, the distance 'F' can be zero.

PRECAUTIONS FOR PROPER USE

Refer to P.836~ for general precautions.

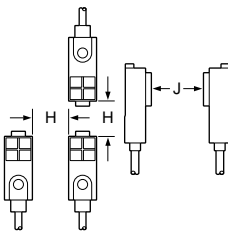
All models

Mutual interference prevention

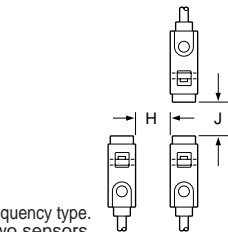
- When two or more sensors are installed in parallel or face to face, keep the minimum separation distance specified below to avoid mutual interference.

		H	J
GXL-8 type	Between 'I' type and non 'I' type	0mm (Note 2)	15mm
	Between two 'I' types or two non 'I' types	12mm	30mm
GXL-N12 type	Between 'I' type and non 'I' type	0mm (Note 2)	15mm
	Between two 'I' types or two non 'I' types	20mm	40mm
GXL-15F GXL-15FU GXL-15HU type	Between 'I' type and non 'I' type	0mm (Note 2)	25mm
	Between two 'I' types or two non 'I' types	30mm	60mm
GXL-15H type	Between 'I' type and non 'I' type	0mm (Note 2)	25mm
	Between two 'I' types or two non 'I' types	40mm	60mm
GXL-15FLU GXL-15HLU type	Between 'I' type and non 'I' type	0mm (Note 2)	25mm
	Between two 'I' types or two non 'I' types	75mm	90mm
GXL-15HL type	Between 'I' type and non 'I' type	0mm (Note 2)	25mm
	Between two 'I' types or two non 'I' types	80mm	95mm

Front sensing



Top sensing



Notes: 1) 'I' in the model No. specifies the different frequency type.
 2) Close mounting is possible for up to two sensors.
 When mounting three sensors or more, at an equal spacing, in a row, the minimum value of dimension H should be as given below.
GXL-8 type: 2mm, **GXL-N12** type: 4mm
GXL-15 (Standard type): 7.5mm (**GXL-15H** type: 12.5mm)
GXL-15 (Long sensing range) type: 30mm (**GXL-15HL** type: 32.5mm)

Sensing range

- The sensing range is specified for the standard sensing object. With a non-ferrous metal, the sensing range is obtained by multiplying with the correction coefficient specified below. Further, the sensing range also changes if the sensing object is plated.

Correction coefficient

Model No.	GXL-8FU GXL-8HU type	GXL-8F GXL-8H type	GXL-N12 type	GXL-15FU type	GXL-15HU GXL-15FLU GXL-15HLU type	GXL-15F GXL-15H type	GXL-15HL type
Metal							
Iron	1	1	1	1	1	1	1
Stainless steel (SUS304)	0.82 approx.	0.76 approx.	0.7 approx.	0.74 approx.	0.75 approx.	0.68 approx.	0.76 approx.
Brass	0.59 approx.	0.5 approx.	0.4 approx.	0.53 approx.	0.53 approx.	0.47 approx.	0.5 approx.
Aluminum	0.57 approx.	0.48 approx.	0.35 approx.	0.52 approx.	0.51 approx.	0.45 approx.	0.48 approx.

Others

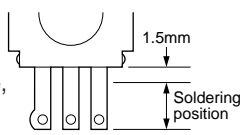
- Do not use during the initial transient time (50ms) after the power supply is switched on.
- The output is not incorporated with a short-circuit protection circuit. Do not connect it directly to a power supply or a capacitive load (excluding the DC 2-wire type).

GXL-N12FT type

Soldering

- To solder the terminals of the sensor, observe the following conditions.

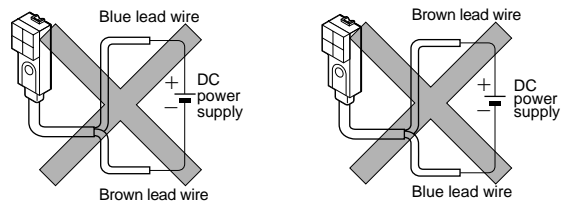
Soldering temperature: 260°C or less
 Soldering time : 5 sec. or less
 Soldering position : 1.5mm, or more, away from the sensor body.



DC 2-wire type

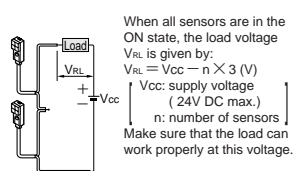
Wiring

- The sensor must be connected to a power supply via a load. If the sensor is connected to a power supply without a load, the short-circuit protection makes the sensor inoperable. (The output stays in the OFF state and the indicator does not light up.) In this case, rectify by connecting the power supply via a load. Now, the sensor becomes operable. Further, take care that if the power supply is connected with reverse polarity without a load, the sensor will get damaged.

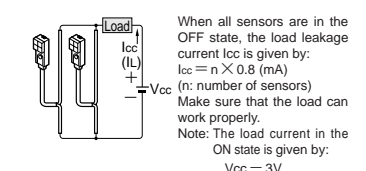


- For series connection (AND circuit) or parallel connection (OR circuit) of sensors, take care of the following.

Series connection (AND circuit)

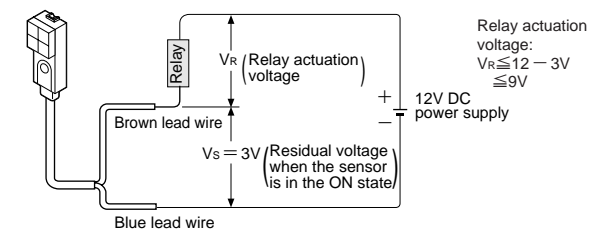


Parallel connection (OR circuit)



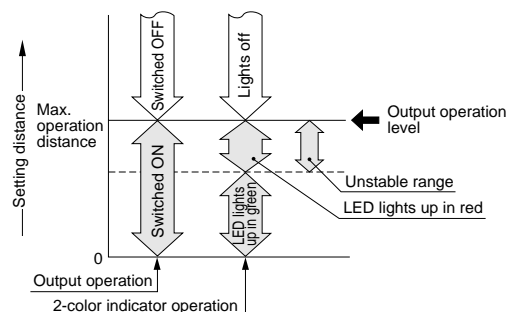
Note: The output is generated normally even if the indicator does not light up properly.

- The residual voltage of the sensor is 3V. Before connecting a relay at the load, take care of its actuation voltage. (Some 12V relays may not be usable.)



2-color indicator (Normally open type only)

- When the sensing object is in the stable sensing range, the LED lights up in green, and when the sensing object is in the unstable sensing range, the LED lights up in red. While the LED lights up in green, the sensing is performed stably without being affected by temperature drifts or voltage fluctuations.



GXL

GL-6

GL-8U

Amplifier Built-in Type

GL-N12

GL-18H/18HL

GX-U

GX-N

GX

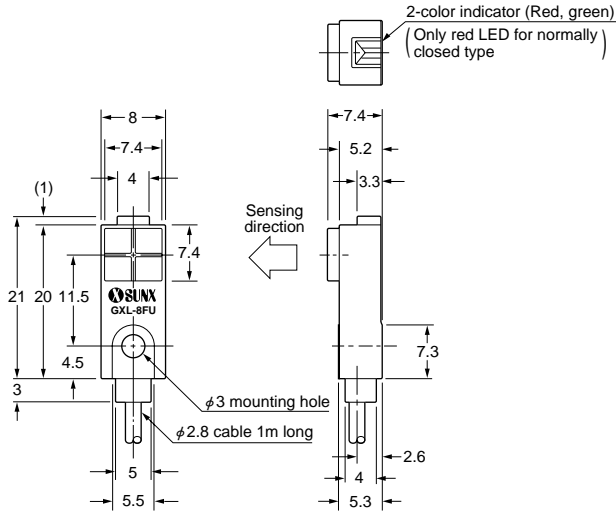
Amplifier-separated Type

GA-10/GH

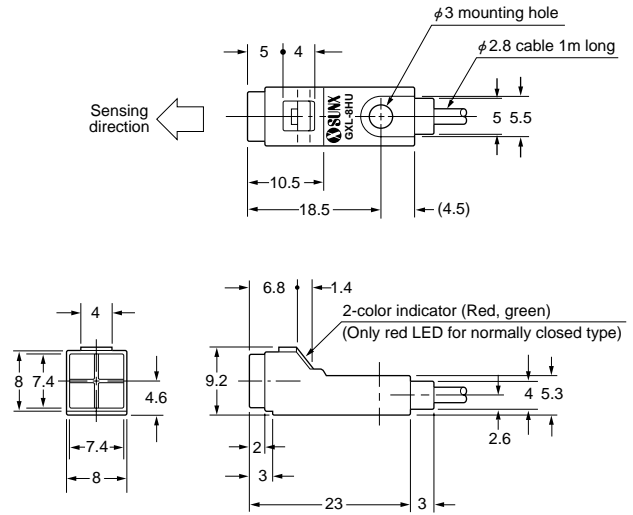
GXL

DIMENSIONS (Unit: mm)

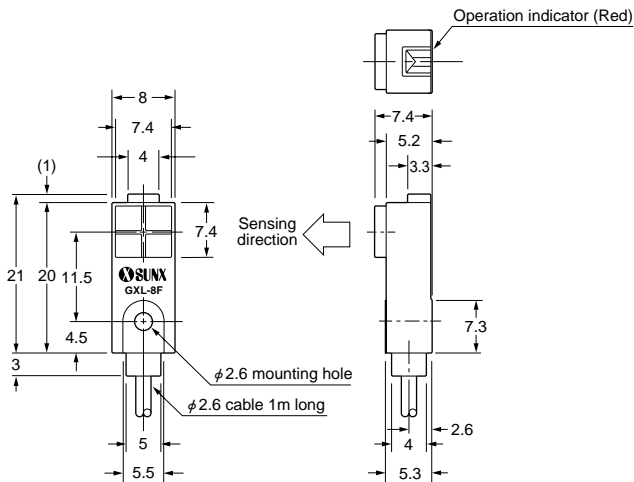
GXL-8FU type Sensor



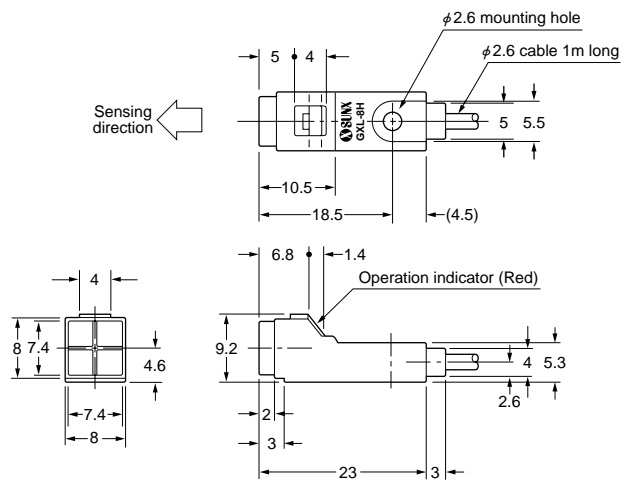
GXL-8HU type Sensor



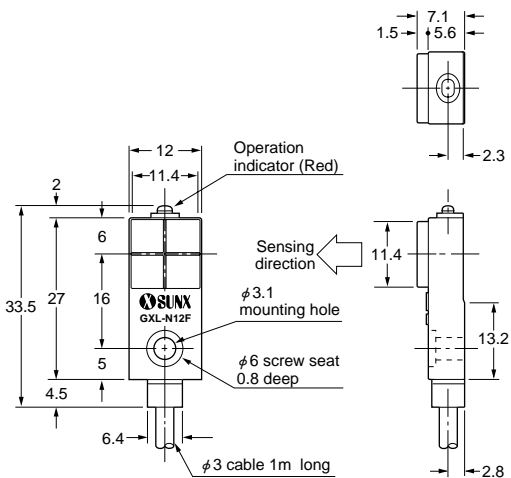
GXL-8F type Sensor



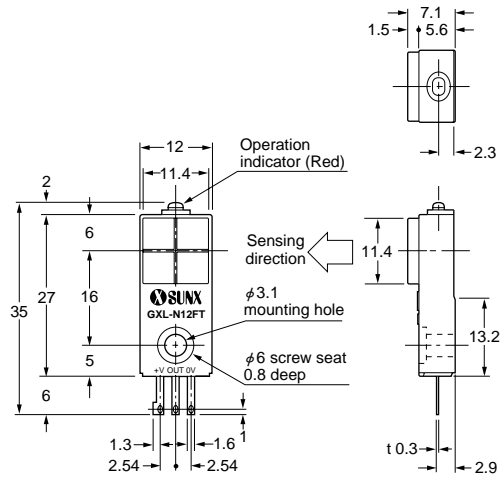
GXL-8H type Sensor



GXL-N12F type Sensor

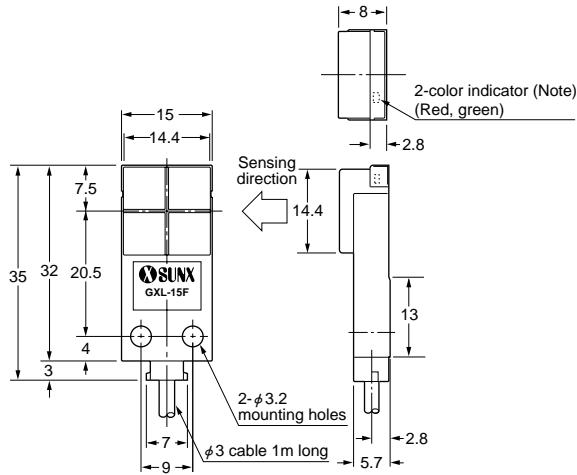


GXL-N12FT type Sensor



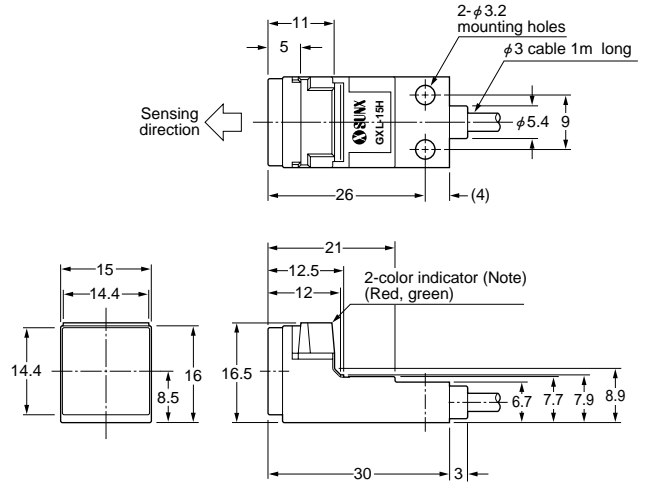
DIMENSIONS (Unit: mm)

GXL-15F type Sensor



Note: Normally closed DC 2-wire type, NPN output type and PNP output type have an operation indicator (red) instead of the 2-color indicator.

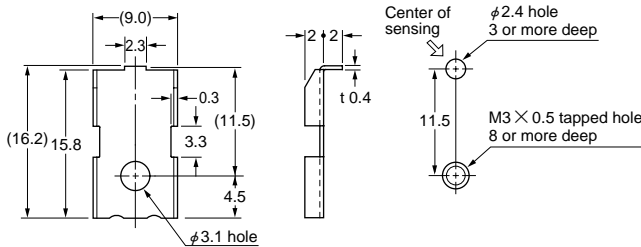
GXL-15H type Sensor



Note: Normally closed DC 2-wire type and NPN output type have an operation indicator (red) instead of the 2-color indicator.

MS-GXL8-4 Sensor mounting bracket for GXL-8FU/GXL-8HU type (Accessory)

Mounting hole dimensions

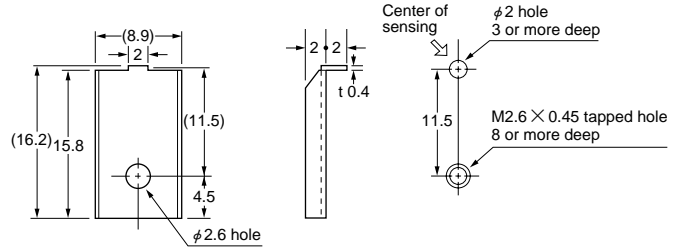


Material: Cold rolled carbon steel (SPCC) (Nickel plated)

1 No. each of M3 (length 12mm) truss head screw, nut, spring washer and plain washer is attached.

MS-GXL8 Sensor mounting bracket for GXL-8F/GXL-8H type (Accessory)

Mounting hole dimensions

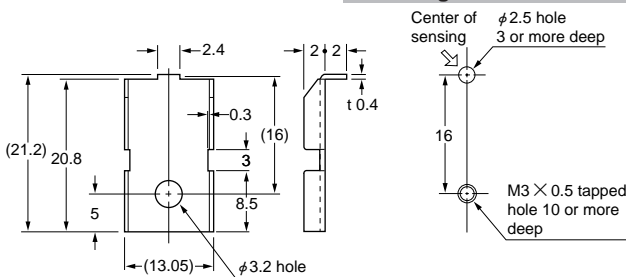


Material: Cold rolled carbon steel (SPCC) (Nickel plated)

1 No. each of M2.6 (length 12mm) truss head screw, nut, spring washer and plain washer is attached.

MS-GXL12-1 Sensor mounting bracket for GXL-N12 type (Accessory)

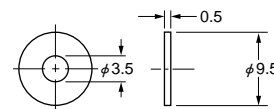
Mounting hole dimensions



Material: Cold rolled carbon steel (SPCC) (Nickel plated)

1 No. each of M3 (length 12mm) pan head screw, plain washer, spring washer and rubber washer (φ9.5 x t0.5mm) is attached.

MS-R1 Rubber washer for GXL-N12 type (Accessory)



Material: NBR

GXL

GL-6

GL-8U

Amplifier Built-in Type

GL-18H/18HL

GL-N12

GX-U

GX-N

GX

Amplifier-separated Type

GA-10/GH

GXL

DIMENSIONS (Unit: mm)

GXL

GL-6

GL-8U

GL-N12

GL-18H/18HL

GX-U

GX-N

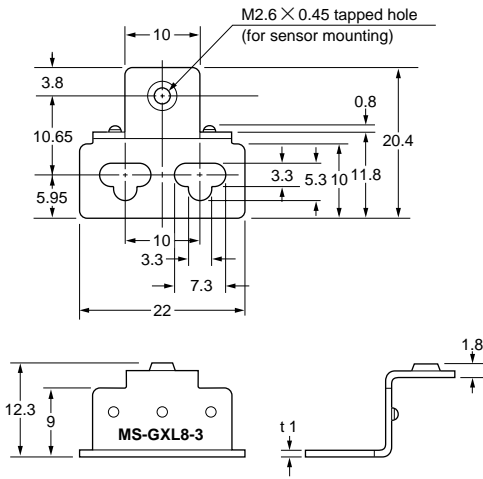
GX

GA-10/GH

Amplifier Built-in Type

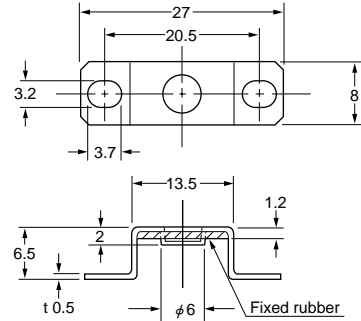
Amplifier-separated Type

MS-GXL8-3 Sensor mounting bracket for GXL-8F/GXL-8H type (Optional)



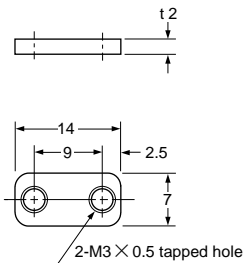
Material: Stainless steel (SUS304)
One M2.6 (length 8mm) pan head screw and two M3 (length 8mm) screws with washers are attached.

MS-GXL12-2 Sensor mounting bracket for GXL-N12 type (Optional)



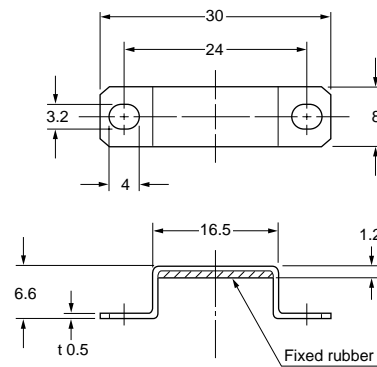
Material: Bracket ... stainless steel (SUS304)
Fixed rubber ... FKM (Fluorine rubber)

MS-GXL15 Sensor mounting bracket for GXL-15 type (Optional)



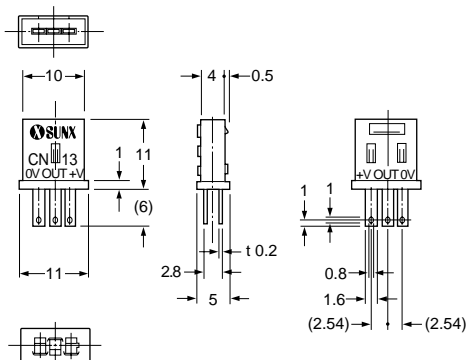
Material: Cold rolled carbon steel (SPCC)

MS-GXL15-2 Sensor mounting bracket for GXL-15F type (Optional)



Material: Bracket ... stainless steel (SUS304)
Fixed rubber ... FKM (Fluorine rubber)

CN-13 Connector for terminal type (Optional)



MS-A15F MS-A15H Aluminum sheet (Accessory for GXL-15FLU, GXL-15HLU and GXL-15HL type)

