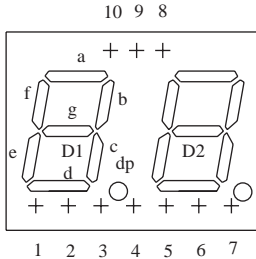


Numeric Display

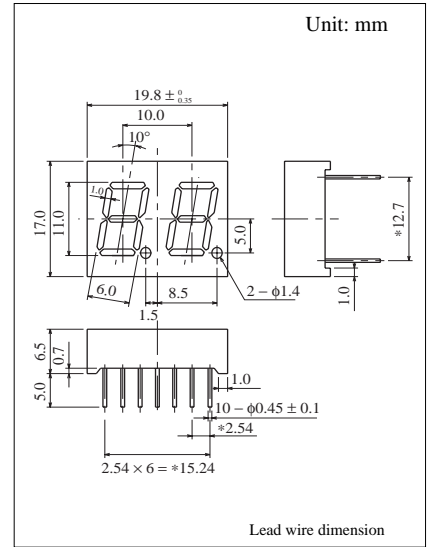
2 Digit 11.0 mm (.4") Series

Conventional Part No.	Global Part No.	Lighting Color
LN524RAMR	LNM224AP01	Red
LN524RKMR	LNM224KP01	Red
LN524GAMG	LNM324AP01	Green
LN524GKMG	LNM324KP01	Green

Terminal Connection



Pin No.	Assignment	Assignment
1	Cathode e	Anode e
2	Cathode d	Anode d
3	Cathode c	Anode c
4	Cathode dp	Anode dp
5	Cathode b	Anode b
6	Cathode a	Anode a
7	Cathode g	Anode g
8	Cathode f	Anode f
9	Common Anode D2	Common Cathode D2
10	Common Anode D1	Common Cathode D1



■ Absolute Maximum Ratings ($T_a = 25^\circ\text{C}$)

Lighting Color	P_D (mW)	I_F (mA)	I_{FP} (mA)*	V_R (V)	T_{opr} ($^\circ\text{C}$)	T_{stg} ($^\circ\text{C}$)
Red	40	15	80	5	-25 ~ +80	-30 ~ +85
Green	40	15	80	5	-25 ~ +80	-30 ~ +85

I_{FP} の条件は $\text{duty } 10\%$, Pulse width 1 msec. The condition of I_{FP} is duty 10%, Pulse width 1 msec

■ Electro-Optical Characteristics ($T_a = 25^\circ\text{C}$)

Conventional Part No.	Lighting Color	Common	I_O / seg		I_F	V_F		λ_P	$\Delta\lambda$	I_F	I_R		
			Typ	Min		Typ	Typ				Max	Max	V_R
LN524RAMR	Red	Anode	450	200	150	5	2.03	2.8	700	100	10	10	5
LN524RKMR	Red	Cathode	450	200	150	5	2.03	2.8	700	100	10	10	5
LN524GAMG	Green	Anode	1500	500	500	10	2.03	2.8	565	30	10	10	5
LN524GKMG	Green	Cathode	1500	500	500	10	2.03	2.8	565	30	10	10	5
Unit	—	—	μcd	μcd	μcd	mA	V	V	nm	nm	mA	μA	V

