

# Surface Mounting Chip LED

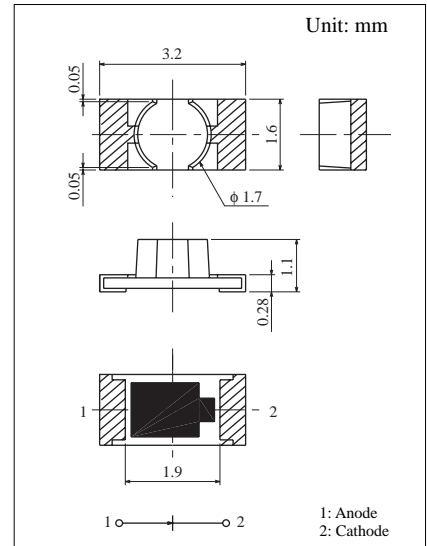
## Through-The-Board Type

Conventional Part No.      Global Part No.      Lighting Color  
 LNJ211R8ARU ..... LNJ211R8ARU ..... Red  
 LNJ311G8TRU ..... LNJ311G8TRU ..... Green  
 LNJ411K8YRU ..... LNJ411K8YRU ..... Amber

### ■ Absolute Maximum Ratings (T<sub>a</sub> = 25°C)

Lighting Color	P <sub>D</sub> (mW)	I <sub>F</sub> (mA)	I <sub>FP</sub> (mA)*	V <sub>R</sub> (V)	T <sub>opr</sub> (°C)	T <sub>stg</sub> (°C)
Red	60	20	100	3	-30 ~ +85	-40 ~ +100
Green	60	20	100	4	-30 ~ +85	-40 ~ +100
Amber	60	20	100	4	-30 ~ +85	-40 ~ +100

I<sub>FP</sub>の条件は duty 10% Pulse width 1 msec. The condition of I<sub>FP</sub> is duty 10%, Pulse width 1 msec



### ■ Electro-Optical Characteristics (T<sub>a</sub> = 25°C)

Conventional Part No.	Lighting Color	Lens Color	I <sub>O</sub>		I <sub>F</sub>	V <sub>F</sub>		λ <sub>p</sub>	Δλ	I <sub>F</sub>	I <sub>R</sub>	
			Typ	Min		Typ	Max				Max	V <sub>R</sub>
LNJ211R8ARU	Red	Red Diffused	7.0	2.3	10	1.72	2.5	660	20	10	100	3
LNJ311G8TRU	Green	Green Diffused	5.5	1.8	10	2.03	2.6	565	30	10	10	4
LNJ411K8YRU	Amber	Yellow Diffused	2.2	0.75	10	2.0	2.6	590	30	10	10	4
Unit	—	—	mcd	mcd	mA	V	V	nm	nm	mA	μA	V

