

# TCP 7,5/DC32V - Thermal device circuit breaker



0700007

<https://www.phoenixcontact.com/us/products/0700007>

Please be informed that the data shown in this PDF document is generated from our online catalog. Please find the complete data in the user documentation. Our general terms of use for downloads are valid.



Thermal device circuit breaker, 1-position, nominal current: 7.5 A, nom. voltage: 32 V, tripping characteristic: thermal, fuse type: Automatic device, mounting type: on base element, rated current: 7.5 A

## Your advantages

- Fast, replacement part-free recommissioning after an event with the reconnection options
- Easy to retrofit in existing systems with vehicle flat-type fuses with identical pin connector pattern
- Easy identification of the nominal current value via color marking

## Commercial data

Item number	0700007
Packing unit	50 pc
Minimum order quantity	50 pc
Sales key	CL15
Product key	CLA112
GTIN	4046356079631
Weight per piece (including packing)	4.088 g
Weight per piece (excluding packing)	4.04 g
Customs tariff number	85362010
Country of origin	DE

# TCP 7,5/DC32V - Thermal device circuit breaker



0700007

<https://www.phoenixcontact.com/us/products/0700007>

## Technical data

### Product properties

Product type	Thermal device circuit breakers
Type	Male
Number of positions	1
No. of channels	1

### Electrical properties

Fuse type	Automatic device
Fuse	Slow-blow

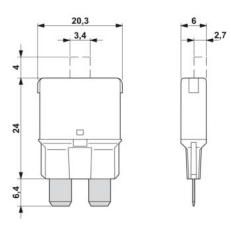
### General

Rated voltage	32 V DC
Rated current $I_N$	7.5 A
Rated short-circuit switching capacity $I_{cn}$	150 A ( $\geq 3$ shutdowns)
	2000 A ( $\geq 1$ switch-off)
	$\leq 50$ A (300 switch-offs)
Short-circuit switching capacity	2000 A ( $\geq 1$ switch-off)
Fuse	thermal
Voltage drop	$< 150$ mV

### Connection data

Note	The reset button must not be obstructed!
Nominal current	7.5 A
Nominal voltage	32 V AC
	32 V DC
Connection method	pluggable

### Dimensions

Dimensional drawing	
Width	6 mm
Height	20.3 mm
Depth	30.4 mm

### Material specifications

Color	brown (RAL 8028)
Material	PA

# TCP 7,5/DC32V - Thermal device circuit breaker



0700007

<https://www.phoenixcontact.com/us/products/0700007>

Insulating material	PA
---------------------	----

## Mechanical properties

### Mechanical data

Open side panel	No
-----------------	----

## Environmental and real-life conditions

### Ambient conditions

Degree of protection	IP30 (Actuation area)
Ambient temperature (operation)	-40 °C ... 85 °C
Humidity test	240 h, 95 % RH, 40 °C

## Mounting

Mounting type	on base element
---------------	-----------------

# TCP 7,5/DC32V - Thermal device circuit breaker

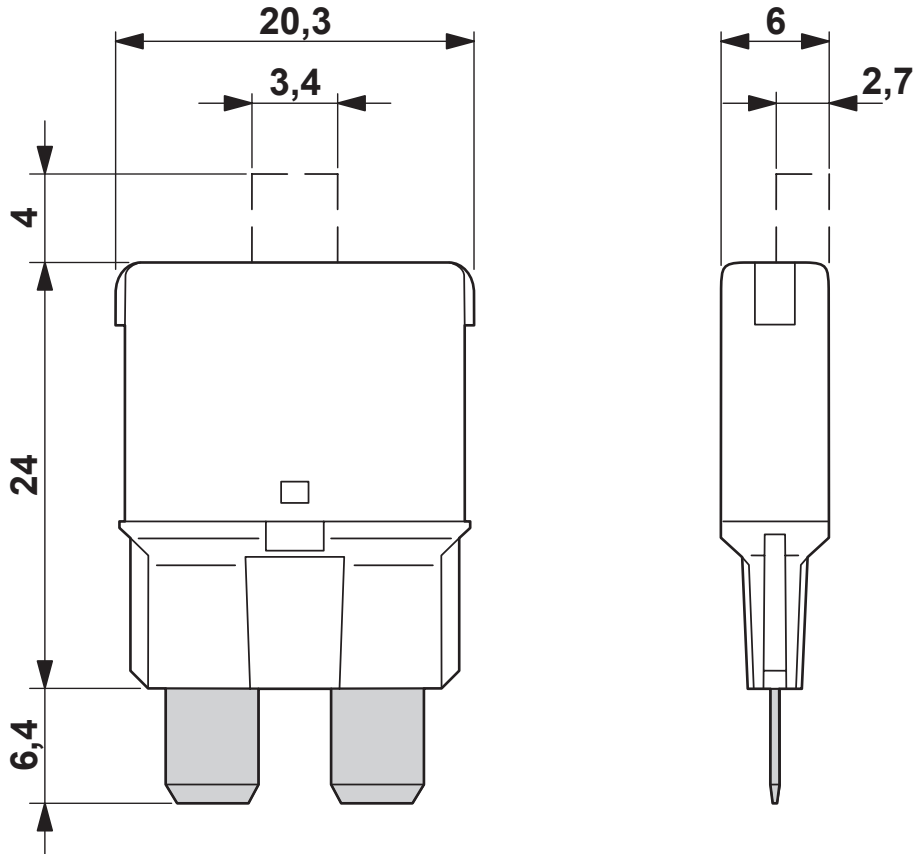


0700007

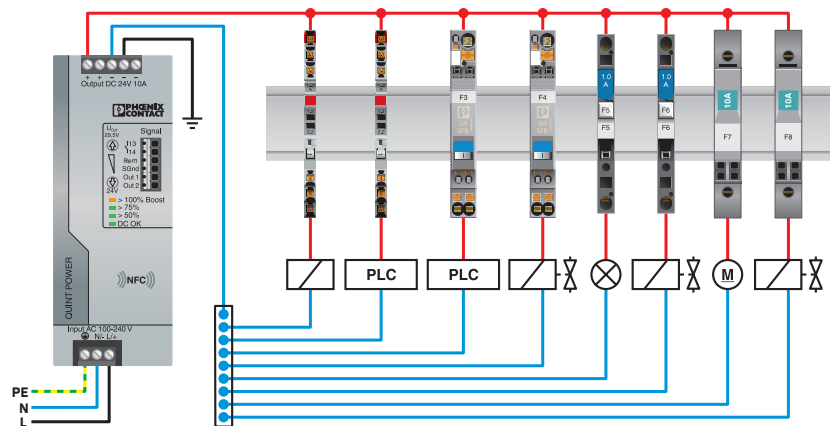
<https://www.phoenixcontact.com/us/products/0700007>

## Drawings

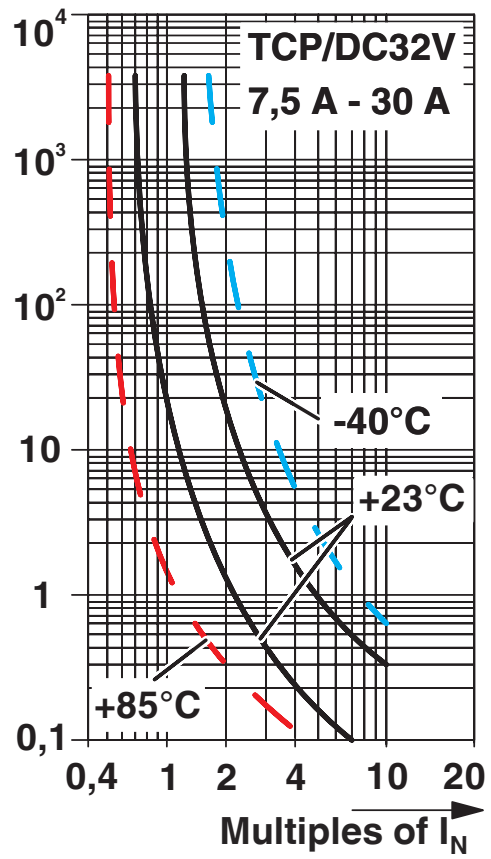
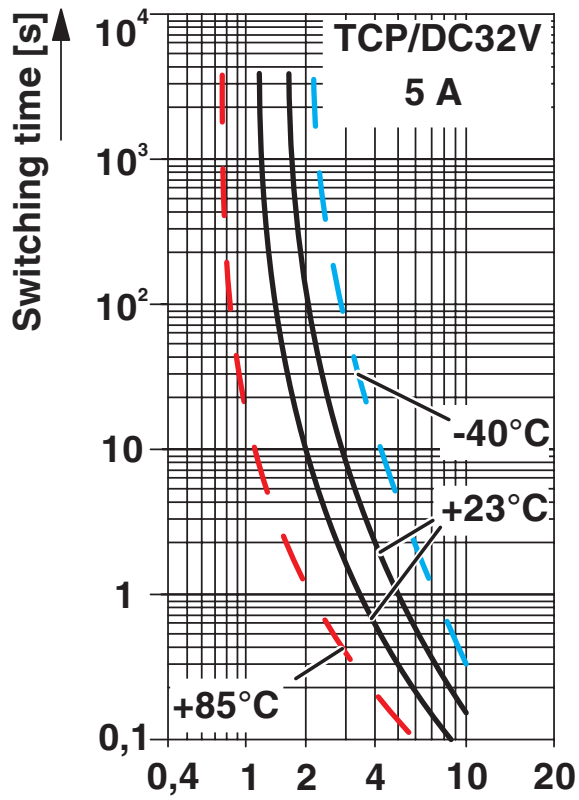
Dimensional drawing



Application drawing



Diagram



# TCP 7,5/DC32V - Thermal device circuit breaker



0700007

<https://www.phoenixcontact.com/us/products/0700007>

## Classifications

### ECLASS

ECLASS-13.0

27140401

### ETIM

ETIM 9.0

EC003538

### UNSPSC

UNSPSC 21.0

39121400

# TCP 7,5/DC32V - Thermal device circuit breaker



0700007

<https://www.phoenixcontact.com/us/products/0700007>

## Environmental product compliance

### EU RoHS

Fulfills EU RoHS substance requirements	Yes
Exemption	6(a), 6(a)-I

### China RoHS

Environment friendly use period (EFUP)	EFUP-25
	An article-related China RoHS declaration table can be found in the download area for the respective article under "Manufacturer declaration". For all articles with EFUP-E, no China RoHS declaration table issued and required.

### EU REACH SVHC

REACH candidate substance (CAS No.)	Lead(CAS: n/a)
SCIP	e90f907e-8d60-4839-9ce0-f579687f6484

### EF3.0 Climate Change

CO2e kg	0.45 kg CO2e
---------	--------------

Phoenix Contact 2025 © - all rights reserved  
<https://www.phoenixcontact.com>

Phoenix Contact USA  
586 Fulling Mill Road  
Middletown, PA 17057, United States  
(+717) 944-1300  
[info@phoenixcon.com](mailto:info@phoenixcon.com)