

## Distributor - VS-ASI-J-Y-B-PUR-1,0-M12FS SCO - 1404456


Please be informed that the data shown in this PDF Document is generated from our Online Catalog. Please find the complete data in the user's documentation. Our General Terms of Use for Downloads are valid (<http://phoenixcontact.com/download>)



AS-Interface distributor with IP67 protection for two flat-ribbon conductors, with 2.0 m PUR round conductor and a molded, straight, A-coded, 4-pos. M12 SPEEDCON socket



### Key Commercial Data

Packing unit	1 pc
GTIN	 4 046356 322287
GTIN	4046356322287
Weight per Piece (excluding packing)	65.000 g
Custom tariff number	85444290
Country of origin	Vietnam

### Technical data

#### Dimensions

Length of cable	1 m
-----------------	-----

#### Ambient conditions

Degree of protection	IP65
	IP67
Ambient temperature (operation)	-25 °C ... 75 °C
	-25 °C ... 75 °C (cable, fixed installation)
	-5 °C ... 75 °C (cable, flexible installation)
Ambient temperature (storage/transport)	-25 °C ... 80 °C

#### General data

Rated current at 40°C	4 A
-----------------------	-----

## Distributor - VS-ASI-J-Y-B-PUR-1,0-M12FS SCO - 1404456

### Technical data

#### General data

Rated voltage	≤ 35 V DC
Number of positions	4
Standards/regulations	M12 connector IEC 61076-2-101
Overvoltage category	II
Degree of pollution	3
Connection method	AS-i penetration technique

#### Characteristics head 1

Head type	Load center lateral AS-i Screw locking
No. of positions (pin connector pattern)	4
Material (component)	CuZn (Contact)
	Ni/Au (Contact surface)
	TPE-U (Contact carriers)
	PA-GF (Housing)
	Stainless steel (Screw connection)
Torque	1.65 Nm (Locking screw)
Outer sheath, material	PUR
External sheath, color	black RAL 9005
Type type, socket side	Socket, straight

#### Characteristics head 2

Head type	Socket straight M12 SPEEDCON
No. of positions (pin connector pattern)	4 (5)
Color	black
Material (component)	CuSn (Contact)
	Ni/Au (Contact surface)
	TPU GF (Contact carriers)
	TPU (Grip)
	Zinc die-cast, nickel-plated (Screw connection)
Insertion/withdrawal cycles	≥ 100
Torque	0.4 Nm

#### Standards and Regulations

Standards/specifications	M12 connector IEC 61076-2-101
--------------------------	-------------------------------

#### Cable

Cable type	PUR halogen-free black
Cable type (abbreviation)	PUR
UL AWM style	20549 / 10493 (80°C/300 V)

## Distributor - VS-ASI-J-Y-B-PUR-1,0-M12FS SCO - 1404456

### Technical data

#### Cable

Conductor cross section	4x 0.34 mm <sup>2</sup>
AWG signal line	22
Conductor structure signal line	42x 0.10 mm
Core diameter including insulation	1.27 mm ±0.02 mm
Thickness, insulation	≥ 0.21 mm
Wire colors	brown, white, blue, black
Overall twist	4 wires, twisted
External sheath, color	black-gray RAL 7021
Outer sheath thickness	approx. 0.8 mm
External cable diameter D	4.7 mm ±0.15 mm
Smallest bending radius, fixed installation	23.5 mm
Smallest bending radius, movable installation	47 mm
Minimum bending radius, fixed installation	5 x D
Minimum bending radius, flexible installation	10 x D
Number of bending cycles	4000000
Bending radius	47 mm
Minimum bending radius, drag chain applications	10 x D
Traversing path	10 m
Traversing rate	3 m/s
Acceleration	10 m/s <sup>2</sup>
Cable weight	30 kg/km
Outer sheath, material	PUR
Material conductor insulation	PP
Conductor material	Bare Cu litz wires
Insulation resistance	≥ 1 GΩ*km
Conductor resistance	≤ 58 Ω/km
Nominal voltage, cable	≤ 300 V
Test voltage, cable	≥ 3000 V
Special properties	Flexible cable conduit capable
	Silicone-free
	Free of substances which would hinder coating with paint or varnish
	flexible
Flame resistance	according to UL 758/1581 (horizontal)
	in accordance with UL 758/1581 FT2
Halogen-free	in accordance with DIN VDE 0472 part 815
	in accordance with DIN EN 50267-2-1
Resistance to oil	in accordance with DIN EN 60811-2-1

## Distributor - VS-ASI-J-Y-B-PUR-1,0-M12FS SCO - 1404456

### Technical data

#### Cable

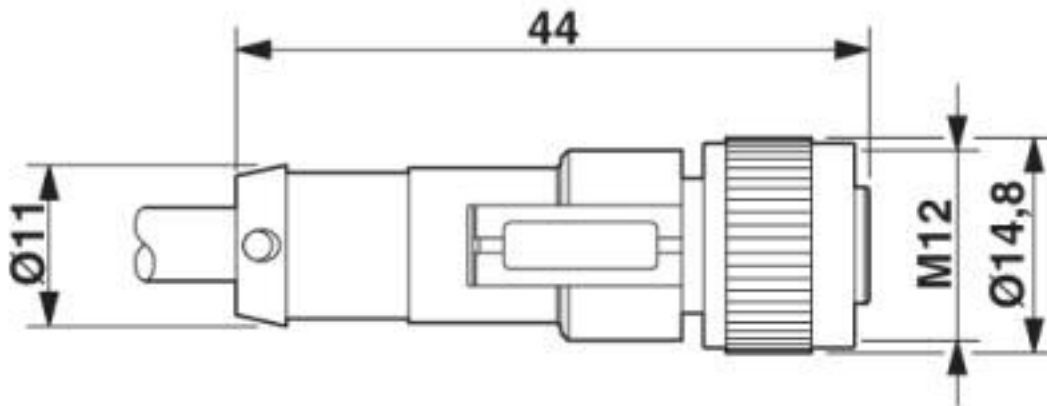
Other resistance	Highly resistant to acids, alkaline solutions and solvents
	hydrolysis and microbe resistant
	partly UV-resistant in accordance with DIN EN ISO 4892-2-A
	Low adhesion
	abrasion-resistant
Ambient temperature (operation)	-40 °C ... 80 °C (cable, fixed installation)
	-25 °C ... 80 °C (cable, flexible installation)

#### Environmental Product Compliance

China RoHS	Environmentally friendly use period: unlimited = EFUP-e
	No hazardous substances above threshold values

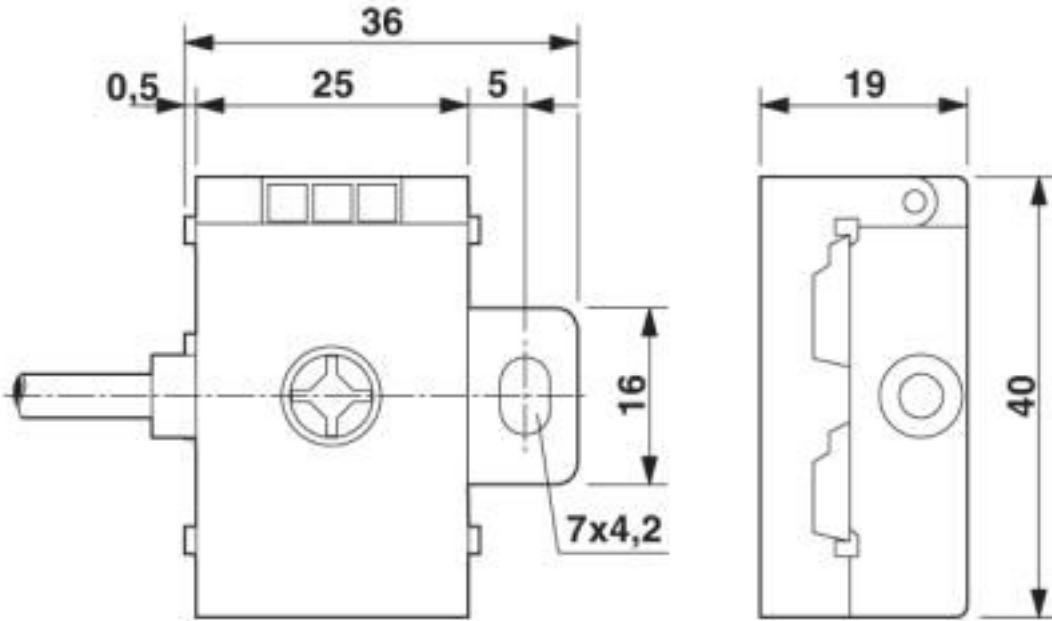
### Drawings

Dimensional drawing



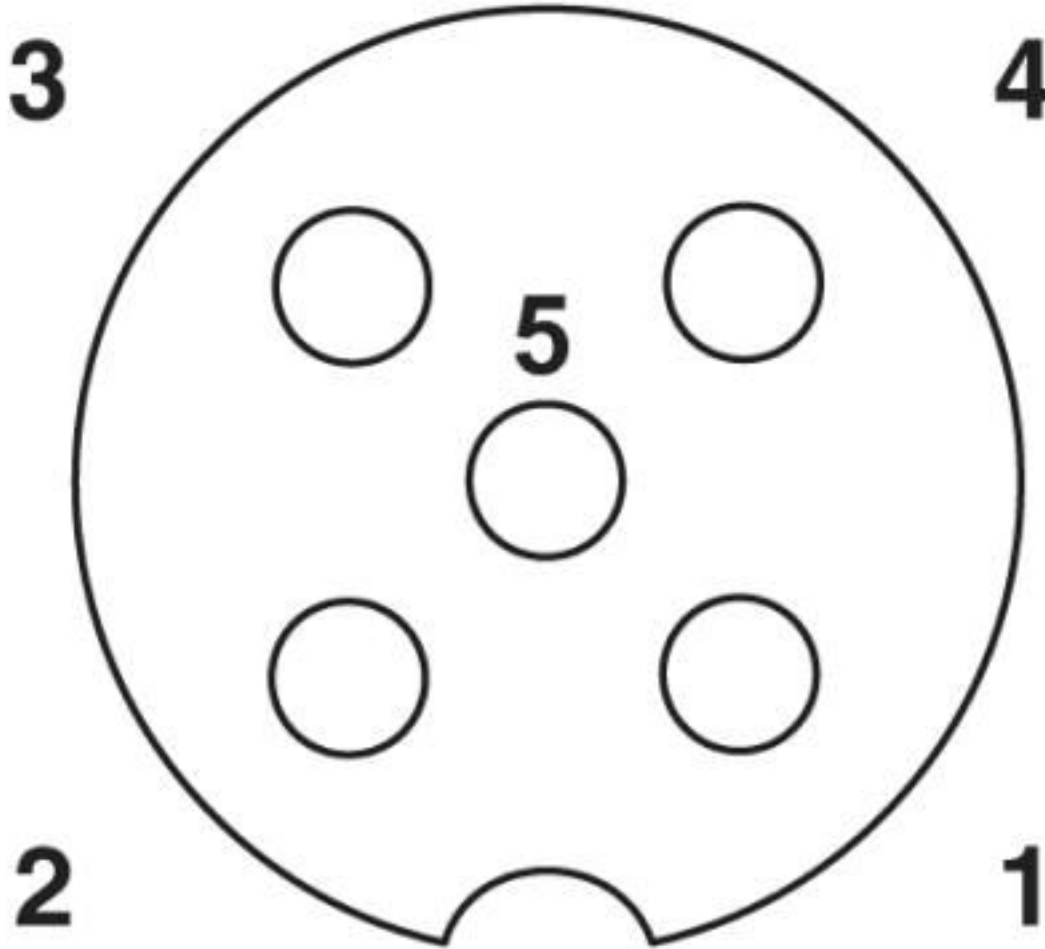
# Distributor - VS-ASI-J-Y-B-PUR-1,0-M12FS SCO - 1404456

Dimensional drawing



# Distributor - VS-ASI-J-Y-B-PUR-1,0-M12FS SCO - 1404456

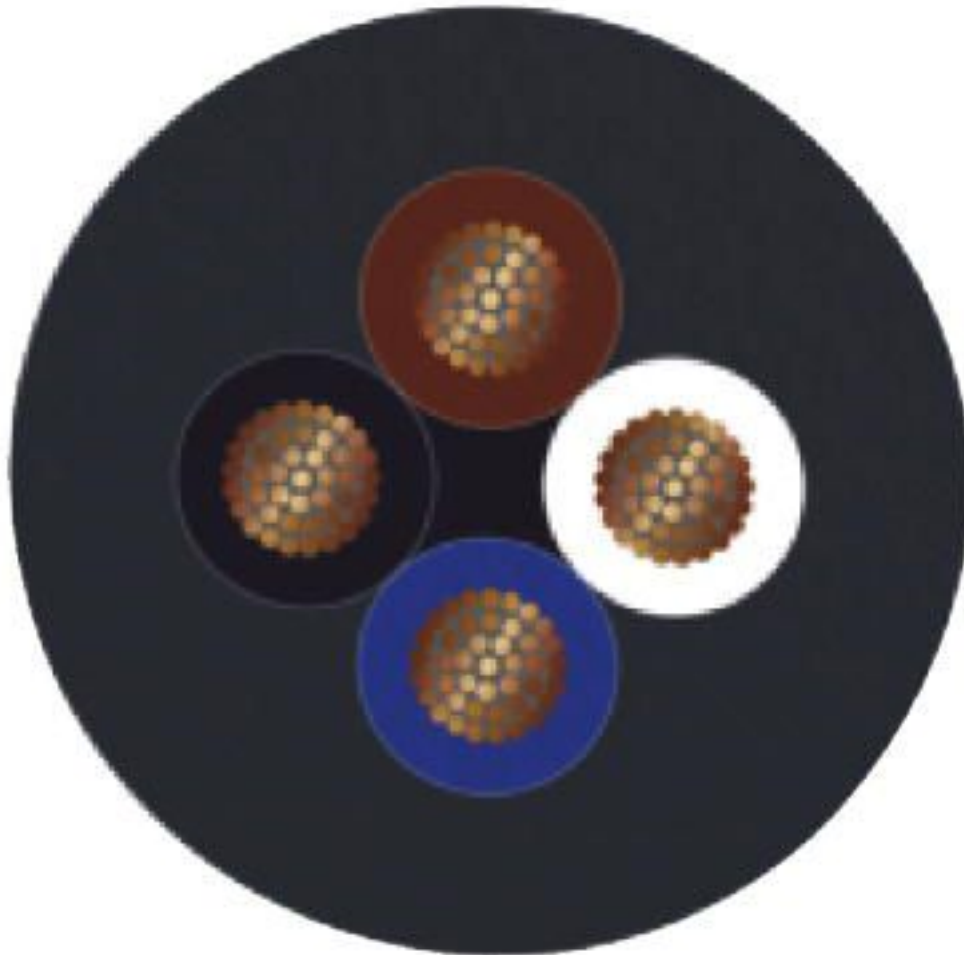
Schematic diagram



Pin assignment M12, PIN 1: AS-i +, PIN 2: AUX -, PIN 3: AS-i -, PIN 4: AUX +, PIN 5: Not used

## Distributor - VS-ASI-J-Y-B-PUR-1,0-M12FS SCO - 1404456

Cable cross section



PUR halogen-free black [PUR]

### Classifications

eCl@ss

eCl@ss 4.0	27140815
eCl@ss 4.1	27140815
eCl@ss 5.0	27143423
eCl@ss 5.1	27143400
eCl@ss 6.0	27143400
eCl@ss 7.0	27449001
eCl@ss 8.0	27279219

## Distributor - VS-ASI-J-Y-B-PUR-1,0-M12FS SCO - 1404456

### Classifications

eCl@ss

eCl@ss 9.0	27440106
------------	----------

### ETIM

ETIM 2.0	EC000200
ETIM 3.0	EC001856
ETIM 4.0	EC000313
ETIM 5.0	EC000313
ETIM 6.0	EC002585

### UNSPSC

UNSPSC 6.01	31261501
UNSPSC 7.0901	31261501
UNSPSC 11	31261501
UNSPSC 12.01	31261501
UNSPSC 13.2	43222814
UNSPSC 19.0	43222814

### Accessories

#### Accessories

Plug for cable screw gland

Screw plug - PROT-MS SCO - 1553129



#### Screwdriver tools

Screwdriver - SZK PH2 VDE - 1205163



Screwdriver, PH crosshead, VDE insulated, size: PH 2 x 100 mm, 2-component grip, with non-slip grip

## Distributor - VS-ASI-J-Y-B-PUR-1,0-M12FS SCO - 1404456

### Accessories

Tool - SAC BIT M12-D15 - 1208432



Nut for assembling sensor/actuator cables with M12 connector and M12 connectors for assembly, with a knurl diameter of 15 mm, for 4 mm hexagonal drive

---

### Torque tool

Torque screwdriver - TSD 04 SAC - 1208429



Torque screwdriver, with preset torque of 0.4 Nm and 4 mm hexagonal drive for M12 connectors