

Sensor/actuator cable - SAC-4P- 1,5-511/M12FR FB - 1552502


Please be informed that the data shown in this PDF Document is generated from our Online Catalog. Please find the complete data in the user's documentation. Our General Terms of Use for Downloads are valid (<http://phoenixcontact.com/download>)



Sensor/actuator cable, 4-position, Special mixture on PVC base, black RAL 9005, free cable end, on Socket angled M12, coding: A, cable length: 1.5 m, for the food industry, with high-grade steel knurl

RoHS

Key Commercial Data

Packing unit	1 pc
GTIN	 4 046356 155885
GTIN	4046356155885
Weight per Piece (excluding packing)	69.400 g
Custom tariff number	85444290
Country of origin	Germany

Technical data

Dimensions

Length of cable	1.5 m
-----------------	-------

Ambient conditions

Ambient temperature (operation)	-40 °C ... 105 °C (Plug / socket)
Degree of protection	IP65
	IP67
	IP68
	IP69K

General

Rated current at 40°C	4 A
Rated voltage	250 V AC

Sensor/actuator cable - SAC-4P- 1,5-511/M12FR FB - 1552502

Technical data

General

	250 V DC
Number of positions	4
Insulation resistance	≥ 100 MΩ
Coding	A - standard
Standards/regulations	M12 connector IEC 61076-2-101
Status display	No
Protective circuit/component	unwired
Overvoltage category	II
Degree of pollution	3
Insertion/withdrawal cycles	≥ 100
Torque	0.4 Nm (M12 connector)

Material

Flammability rating according to UL 94	HB
Contact material	CuSn
Contact surface material	Ni/Au
Contact carrier material	TPU GF
Material of grip body	TPU, hardly inflammable, self-extinguishing
Material, knurls	Stainless steel
Sealing material	NBR

Standards and Regulations

Standards/specifications	M12 connector IEC 61076-2-101
Flammability rating according to UL 94	HB

Cable

Cable type	PVC black FDA
Cable type (abbreviation)	511
Cable abbreviation	LiYY-HF
Conductor cross section	0.34 mm ²
AWG signal line	22
Conductor structure signal line	42x 0.10 mm
Core diameter including insulation	1.52 mm ±0.05 mm
Wire colors	brown, white, blue, black
Overall twist	4 wires, twisted
External sheath, color	black RAL 9005
External cable diameter D	5.2 mm ±0.2 mm
Outer sheath, material	Special mixture on PVC base
Material conductor insulation	PVC

Sensor/actuator cable - SAC-4P- 1,5-511/M12FR FB - 1552502

Technical data

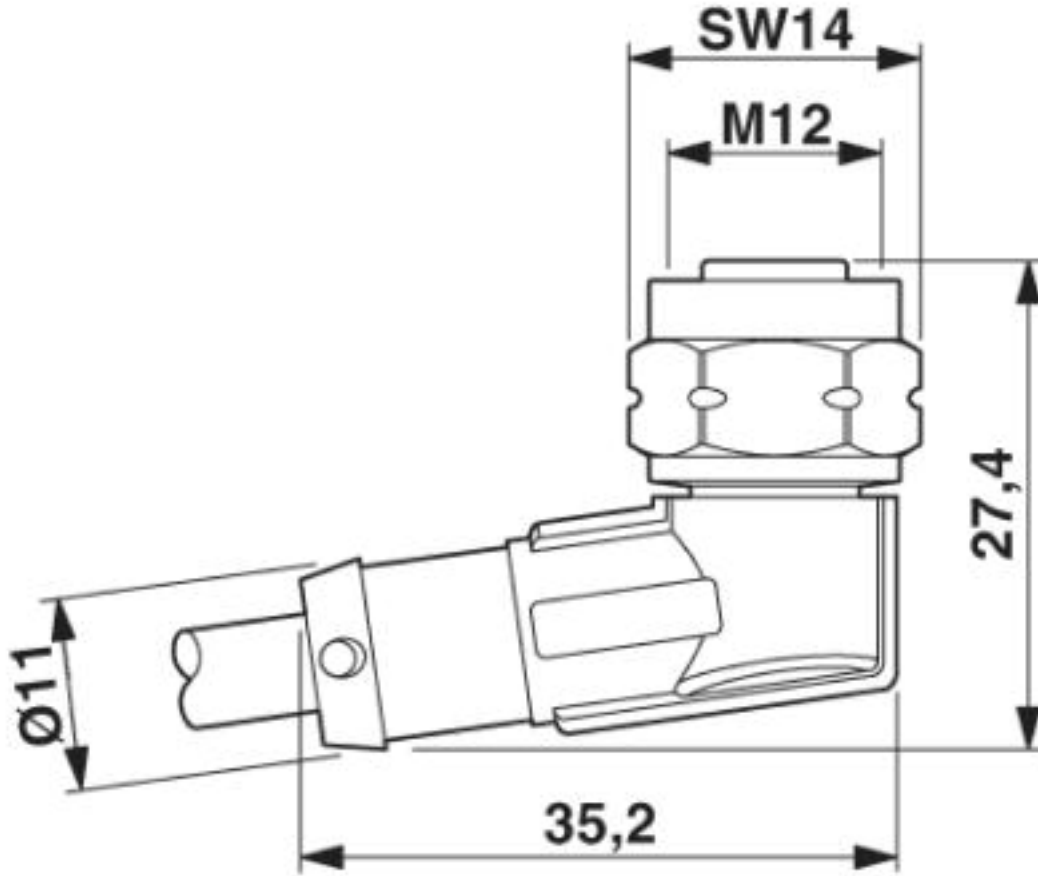
Cable

Conductor material	Bare Cu litz wires
Nominal voltage, cable	300 V
Test voltage, cable	1500 V
Special properties	FDA compliant
Resistance to oil	good oil-resistance
Other resistance	UV resistant
	Silicone-free
Ambient temperature (operation)	-40 °C ... 80 °C (cable, fixed installation)
	-5 °C ... 90 °C (cable, flexible installation)

Drawings

Sensor/actuator cable - SAC-4P- 1,5-511/M12FR FB - 1552502

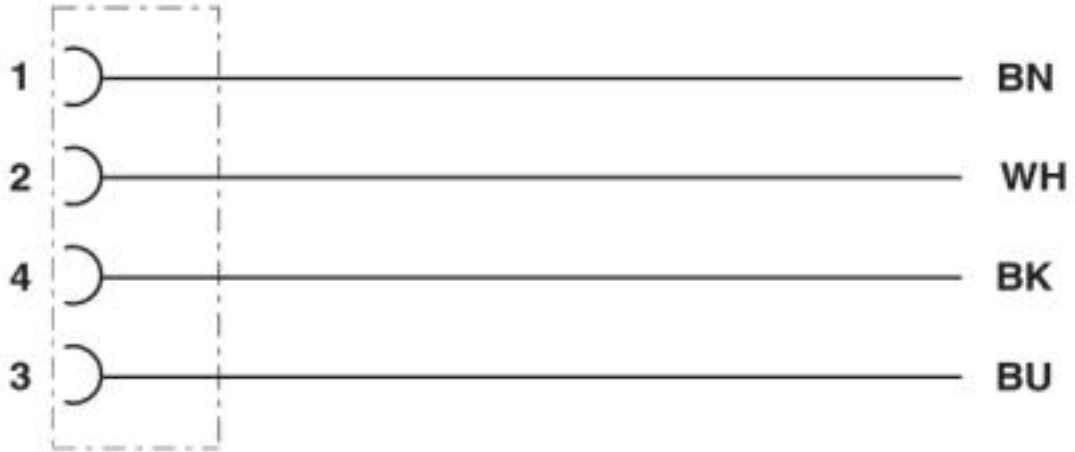
Dimensional drawing



M12 x 1 socket, angled

Sensor/actuator cable - SAC-4P- 1,5-511/M12FR FB - 1552502

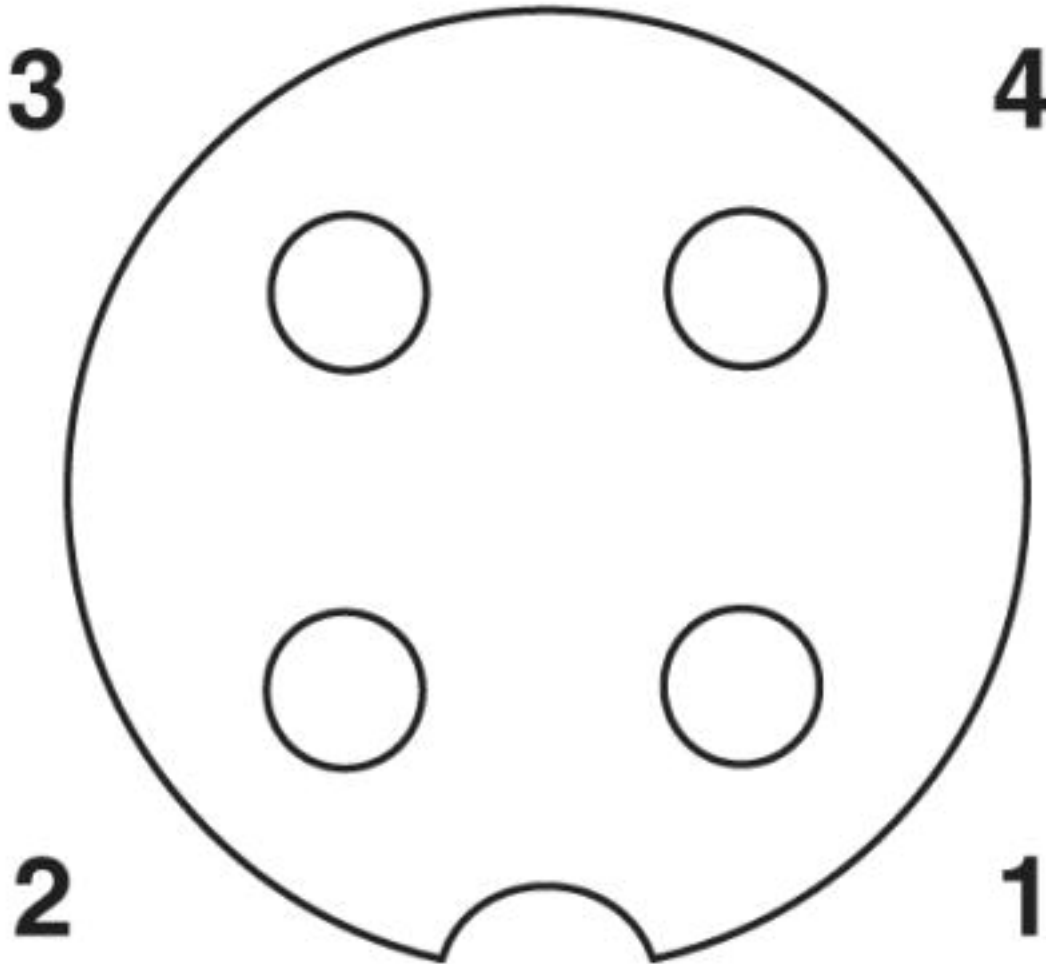
Circuit diagram



Contact assignment of the M12 plug and the M12 socket

Sensor/actuator cable - SAC-4P- 1,5-511/M12FR FB - 1552502

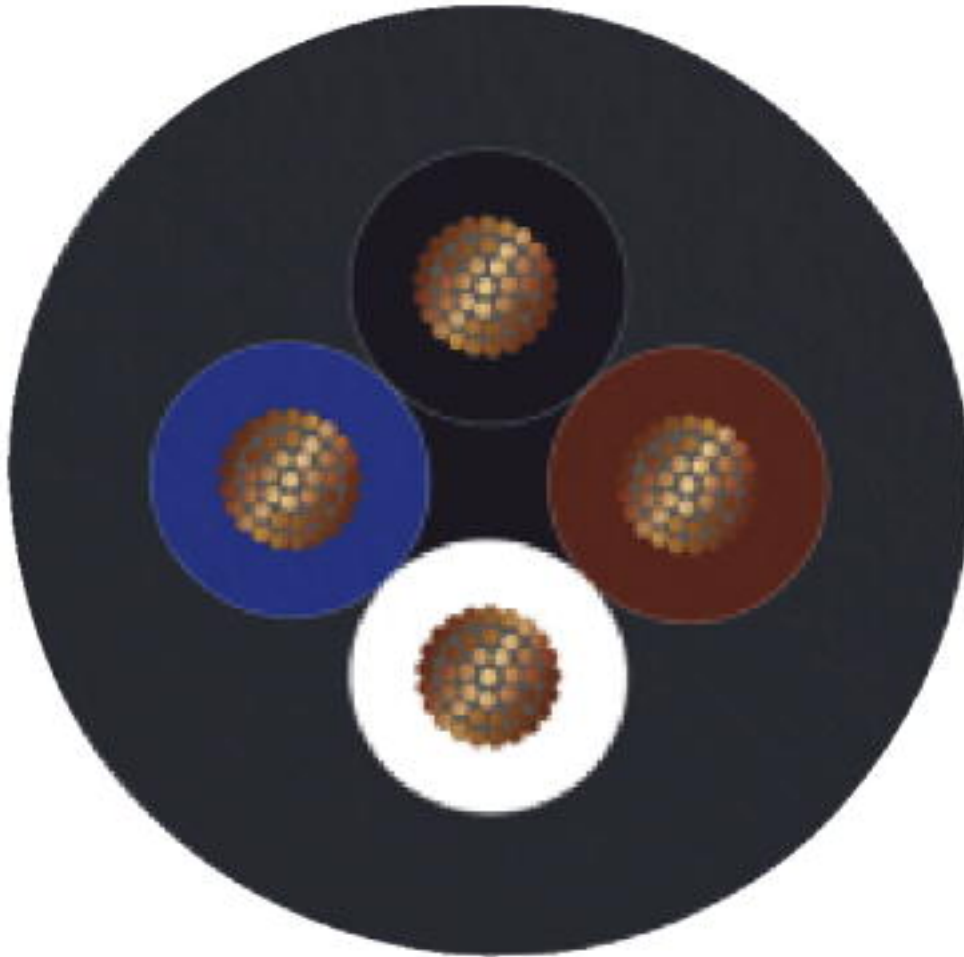
Schematic diagram



Pin assignment M12 socket, 4-pos., A-coded, view female side

Sensor/actuator cable - SAC-4P- 1,5-511/M12FR FB - 1552502

Cable cross section



PVC black FDA [511]

Classifications

eCl@ss

eCl@ss 4.0	27060306
eCl@ss 4.1	27060306
eCl@ss 5.0	27061801
eCl@ss 5.1	27061800
eCl@ss 6.0	27279200
eCl@ss 7.0	27279218
eCl@ss 8.0	27279218

Sensor/actuator cable - SAC-4P- 1,5-511/M12FR FB - 1552502

Classifications

eCl@ss

eCl@ss 9.0	27060311
------------	----------

ETIM

ETIM 3.0	EC001855
ETIM 4.0	EC001855
ETIM 5.0	EC001855
ETIM 6.0	EC001855

UNSPSC

UNSPSC 6.01	31251501
UNSPSC 7.0901	31251501
UNSPSC 11	31251501
UNSPSC 12.01	31251501
UNSPSC 13.2	31251501
UNSPSC 19.0	31251501

Accessories

Accessories

Circular connector (cable-side)

Connector - SACC-M12MS-4CON-PG 7-VA - 1553161



Connector, 4-position, Plug straight M12, Coding: A, Screw connection, knurl material: Stainless steel 1.4404, cable gland Pg7, external cable diameter 4 mm ... 6 mm

Connector - SACC-M12MR-4CON-PG 7-VA - 1553200



Connector, 4-position, Plug angled M12, Coding: A, Screw connection, knurl material: Stainless steel 1.4404, cable gland Pg7, external cable diameter 4 mm ... 6 mm

Screwdriver tools

Sensor/actuator cable - SAC-4P- 1,5-511/M12FR FB - 1552502

Accessories

Adapter - SAC BIT M12-W14 - 1212513



Nut for assembling sensor/actuator cables with M12 connector and M12 connectors for assembly, with a hexagonal knurl wrench size of 14 mm, with 4 mm hexagonal drive

Torque tool

Torque screwdriver - TSD 04 SAC - 1208429



Torque screwdriver, with preset torque of 0.4 Nm and 4 mm hexagonal drive for M12 connectors