

## Passive module - FLKMS-KS40/SI/AI16/YCS - 2314273

Please be informed that the data shown in this PDF Document is generated from our Online Catalog. Please find the complete data in the user's documentation. Our General Terms of Use for Downloads are valid (<http://phoenixcontact.com/download>)




16-channel analog module with a screw connection and a fuse for each signal path (5 x 20 mm) with failure indication (LED). The voltage supply and the 40-pos. system connection are designed redundantly. Suitable for the Yokogawa AAI141 and AAI143 cards.

### Your advantages

- ✓ For AAI 141 and AAI 143 analog modules (module operation in 4-wire mode)
- ✓ 16 plug-in fuses (IEC 127-2, 5 x 20, 0.1 A) per positive supply and LED status indicator
- ✓ Redundant voltage supply (IEC 127-2, 5 x 20, 2 A fuse)

### Key Commercial Data

Packing unit	1 pc
GTIN	 4 046356 143790
GTIN	4046356143790
Weight per Piece (excluding packing)	749.800 g
Custom tariff number	85369010
Country of origin	Germany

### Technical data

#### Dimensions

Width	215.5 mm
Height	125.5 mm
Depth	79.5 mm

#### Ambient conditions

Ambient temperature (operation)	-20 °C ... 50 °C
Ambient temperature (storage/transport)	-20 °C ... 70 °C

## Passive module - FLKMS-KS40/SI/AI16/YCS - 2314273

### Technical data

#### Ambient conditions

Degree of protection	IP00
----------------------	------

#### General

Nominal voltage $U_N$	30 V DC
Max. perm. current (per branch)	100 mA
Max. permissible current (all branches)	2 A (P1+, P2+)
Number of positions	40
Mounting position	any
Assembly instructions	In rows with zero spacing

#### Connection data

Connection name	Field level
Connection method	Screw connection
Stripping length	8 mm
Screw thread	M3
Conductor cross section solid	0.2 mm <sup>2</sup> ... 4 mm <sup>2</sup>
Conductor cross section flexible	0.2 mm <sup>2</sup> ... 2.5 mm <sup>2</sup>
Conductor cross section AWG	24 ... 12

#### Connection data 2

Connection name	Controller level
Connection method	Yokogawa KS-compatible
Number of connections	2
Number of positions	40
Note	Usable system cables: Phoenix Contact YUC40, Yokogawa KS1
Torque	0.5 Nm

#### Connection data 3

Connection name	HART connector
Connection method	HART connector
Number of connections	1

#### Supported controller

Controller	YOKOGAWA CS3000 CentumVP
- suitable I/O card	AAI141
	AAI143
Controller	YOKOGAWA STARDOM
- suitable I/O card	NFAI141
	NFAI143
	NFAI135

## Passive module - FLKMS-KS40/SI/AI16/YCS - 2314273

### Technical data

#### Standards and Regulations

Standards/regulations	DIN EN 50178
	IEC 60664
Rated insulation voltage	50 V
Rated surge voltage	0.5 kV (Functional insulation)
Pollution degree	2
Overvoltage category	II

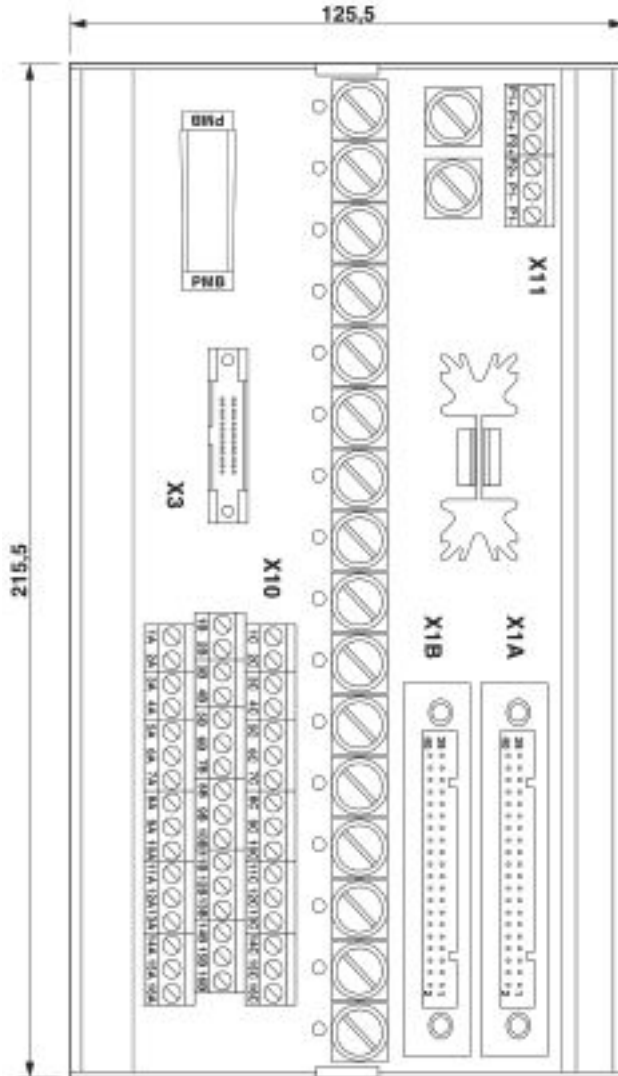
#### Environmental Product Compliance

REACH SVHC	Lead 7439-92-1
China RoHS	Environmentally Friendly Use Period = 50 years
	For details about hazardous substances go to tab "Downloads", Category "Manufacturer's declaration"

### Drawings

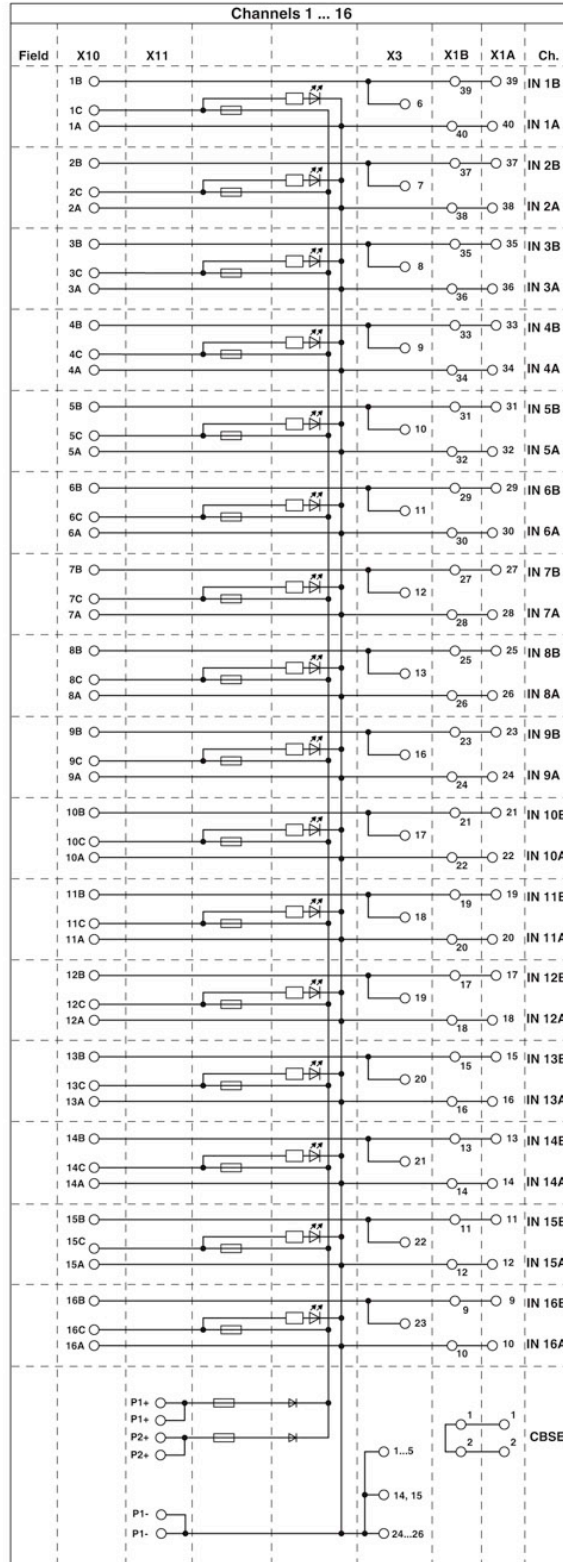
# Passive module - FLKMS-KS40/SI/AI16/YCS - 2314273

Dimensional drawing



# Passive module - FLKMS-KS40/SI/AI16/YCS - 2314273

Circuit diagram



# Passive module - FLKMS-KS40/SI/AI16/YCS - 2314273

## Classifications

### eCl@ss

eCl@ss 10.0.1	27141152
eCl@ss 4.0	27250300
eCl@ss 4.1	27250300
eCl@ss 5.0	27371600
eCl@ss 5.1	27371600
eCl@ss 6.0	27371600
eCl@ss 7.0	27141152
eCl@ss 8.0	27141152
eCl@ss 9.0	27141152

### ETIM

ETIM 5.0	EC002780
ETIM 6.0	EC002780
ETIM 7.0	EC002780

### UNSPSC

UNSPSC 6.01	30211824
UNSPSC 7.0901	39121421
UNSPSC 11	39121421
UNSPSC 12.01	39121421
UNSPSC 13.2	39121432
UNSPSC 18.0	39121432
UNSPSC 19.0	39121432
UNSPSC 20.0	39121432
UNSPSC 21.0	39121432

## Approvals

### Approvals

---

Approvals

EAC

---

Ex Approvals

---

### Approval details

## Passive module - FLKMS-KS40/SI/AI16/YCS - 2314273

### Approvals

EAC



RU C-  
DE.A\*30.B.01742

### Accessories

#### Accessories

##### Front adapter

Front adapters - FLK 40-PA/EZ-DR/KS/ 100/YUC - 2322786



Cast front adapter with attached round cable and a 40-pos. socket strip injection-molded on both sides for the connection of Yokogawa controllers. Cable length: 1.0 m

Front adapters - FLK 40-PA/EZ-DR/KS/ 200/YUC - 2314341



Cast front adapter with attached round cable and a 40-pos. socket strip injection-molded on both sides for the connection of Yokogawa controllers. Cable length: 2.0 m

Front adapters - FLK 40-PA/EZ-DR/KS/ 300/YUC - 2314354



Cast front adapter with attached round cable and a 40-pos. socket strip injection-molded on both sides for the connection of Yokogawa controllers. Cable length: 3.0 m

Front adapters - FLK 40-PA/EZ-DR/KS/ 400/YUC - 2314367



Cast front adapter with attached round cable and a 40-pos. socket strip injection-molded on both sides for the connection of Yokogawa controllers. Cable length: 4.0 m

## Passive module - FLKMS-KS40/SI/AI16/YCS - 2314273

### Accessories

#### Front adapters - FLK 40-PA/EZ-DR/KS/ 500/YUC - 2321570



Cast front adapter with attached round cable and a 40-pos. socket strip injection-molded on both sides for the connection of Yokogawa controllers. Cable length: 5.0 m

---

#### Front adapters - FLK 40-PA/EZ-DR/KS/ 600/YUC - 2314943



Cast front adapter with attached round cable and a 40-pos. socket strip injection-molded on both sides for the connection of Yokogawa controllers. Cable length: 6.0 m

---

#### Front adapters - FLK 40-PA/EZ-DR/KS/ 700/YUC - 2321583



Cast front adapter with attached round cable and a 40-pos. socket strip injection-molded on both sides for the connection of Yokogawa controllers. Cable length: 7.0 m

---

#### Front adapters - FLK 40-PA/EZ-DR/KS/ 800/YUC - 2314956



Cast front adapter with attached round cable and a 40-pos. socket strip injection-molded on both sides for the connection of Yokogawa controllers. Cable length: 8.0 m

---

#### Front adapters - FLK 40-PA/EZ-DR/KS/ 900/YUC - 2321415



Cast front adapter with attached round cable and a 40-pos. socket strip injection-molded on both sides for the connection of Yokogawa controllers. Cable length: 9.0 m

---

## Passive module - FLKMS-KS40/SI/AI16/YCS - 2314273

### Accessories

#### Front adapters - FLK 40-PA/EZ-DR/KS/1000/YUC - 2314370



Cast front adapter with attached round cable and a 40-pos. socket strip injection-molded on both sides for the connection of Yokogawa controllers. Cable length: 10.0 m

---

#### Front adapters - FLK 40-PA/EZ-DR/KS/1100/YUC - 2321428



Cast front adapter with attached round cable and a 40-pos. socket strip injection-molded on both sides for the connection of Yokogawa controllers. Cable length: 11.0 m

---

#### Front adapters - FLK 40-PA/EZ-DR/KS/1200/YUC - 2321431



Cast front adapter with attached round cable and a 40-pos. socket strip injection-molded on both sides for the connection of Yokogawa controllers. Cable length: 12.0 m

---

#### Front adapters - FLK 40-PA/EZ-DR/KS/1300/YUC - 2321444



Cast front adapter with attached round cable and a 40-pos. socket strip injection-molded on both sides for the connection of Yokogawa controllers. Cable length: 13.0 m

---

#### Front adapters - FLK 40-PA/EZ-DR/KS/1400/YUC - 2321457



Cast front adapter with attached round cable and a 40-pos. socket strip injection-molded on both sides for the connection of Yokogawa controllers. Cable length: 14.0 m

---

## Passive module - FLKMS-KS40/SI/AI16/YCS - 2314273

### Accessories

#### Front adapters - FLK 40-PA/EZ-DR/KS/1500/YUC - 2314383



Cast front adapter with attached round cable and a 40-pos. socket strip injection-molded on both sides for the connection of Yokogawa controllers. Cable length: 15.0 m

---

#### Front adapters - FLK 40-PA/EZ-DR/KS/1600/YUC - 2321596



Cast front adapter with attached round cable and a 40-pos. socket strip injection-molded on both sides for the connection of Yokogawa controllers. Cable length: 16.0 m

---

#### Front adapters - FLK 40-PA/EZ-DR/KS/1700/YUC - 2321606



Cast front adapter with attached round cable and a 40-pos. socket strip injection-molded on both sides for the connection of Yokogawa controllers. Cable length: 17.0 m

---

#### Front adapters - FLK 40-PA/EZ-DR/KS/1800/YUC - 2321619



Cast front adapter with attached round cable and a 40-pos. socket strip injection-molded on both sides for the connection of Yokogawa controllers. Cable length: 18.0 m

---

#### Front adapters - FLK 40-PA/EZ-DR/KS/1900/YUC - 2321622



Cast front adapter with attached round cable and a 40-pos. socket strip injection-molded on both sides for the connection of Yokogawa controllers. Cable length: 19.0 m

---

## Passive module - FLKMS-KS40/SI/AI16/YCS - 2314273

### Accessories

#### Front adapters - FLK 40-PA/EZ-DR/KS/2000/YUC - 2314532



Cast front adapter with attached round cable and a 40-pos. socket strip injection-molded on both sides for the connection of Yokogawa controllers. Cable length: 20.0 m

---

#### Front adapters - FLK 40-PA/EZ-DR/KS/2500/YUC - 2314545



Cast front adapter with attached round cable and a 40-pos. socket strip injection-molded on both sides for the connection of Yokogawa controllers. Cable length: 25.0 m

---

#### Front adapters - FLK 40-PA/EZ-DR/KS/3000/YUC - 2314558



Cast front adapter with attached round cable and a 40-pos. socket strip injection-molded on both sides for the connection of Yokogawa controllers. Cable length: 30.0 m

---

#### Front adapters - FLK 40-PA/EZ-DR/KS/3500/YUC - 2901017



Cast front adapter with attached round cable and a 40-pos. socket strip injection-molded on both sides for the connection of Yokogawa controllers. Cable length: 35.0 m

---

#### Front adapters - FLK 40-PA/EZ-DR/KS/4000/YUC - 2901052



Cast front adapter with attached round cable and a 40-pos. socket strip injection-molded on both sides for the connection of Yokogawa controllers. Cable length: 40.0 m

---

## Passive module - FLKMS-KS40/SI/AI16/YCS - 2314273

### Accessories

#### Front adapters - FLK 40-PA/EZ-DR/KS/4500/YUC - 2902912



Cast front adapter with attached round cable and a 40-pos. socket strip injection-molded on both sides for the connection of Yokogawa controllers. Cable length: 45.0 m

---

#### Front adapters - FLK 40-PA/EZ-DR/HF/KS/ 100/YUC - 2904747



Cast front adapter with attached, halogen-free round cable and a 40-pos. socket strip injection-molded on both sides for the connection of Yokogawa controllers. Cable length: 1.0 m

---

#### Front adapters - FLK 40-PA/EZ-DR/HF/KS/ 200/YUC - 2904748



Cast front adapter with attached, halogen-free round cable and a 40-pos. socket strip injection-molded on both sides for the connection of Yokogawa controllers. Cable length: 2.0 m

---

#### Front adapters - FLK 40-PA/EZ-DR/HF/KS/ 300/YUC - 2904749



Cast front adapter with attached, halogen-free round cable and a 40-pos. socket strip injection-molded on both sides for the connection of Yokogawa controllers. Cable length: 3.0 m

---

#### Front adapters - FLK 40-PA/EZ-DR/HF/KS/ 400/YUC - 2904750



Cast front adapter with attached, halogen-free round cable and a 40-pos. socket strip injection-molded on both sides for the connection of Yokogawa controllers. Cable length: 4.0 m

---

## Passive module - FLKMS-KS40/SI/AI16/YCS - 2314273

### Accessories

#### Front adapters - FLK 40-PA/EZ-DR/HF/KS/ 500/YUC - 2904645



Cast front adapter with attached, halogen-free round cable and a 40-pos. socket strip injection-molded on both sides for the connection of Yokogawa controllers. Cable length: 5.0 m

---

#### Front adapters - FLK 40-PA/EZ-DR/HF/KS/ 600/YUC - 2904751



Cast front adapter with attached, halogen-free round cable and a 40-pos. socket strip injection-molded on both sides for the connection of Yokogawa controllers. Cable length: 60.0 m

---

#### Front adapters - FLK 40-PA/EZ-DR/HF/KS/ 700/YUC - 2904752



Cast front adapter with attached, halogen-free round cable and a 40-pos. socket strip injection-molded on both sides for the connection of Yokogawa controllers. Cable length: 7.0 m

---

#### Front adapters - FLK 40-PA/EZ-DR/HF/KS/ 800/YUC - 2904753



Cast front adapter with attached, halogen-free round cable and a 40-pos. socket strip injection-molded on both sides for the connection of Yokogawa controllers. Cable length: 8.0 m

---

#### Front adapters - FLK 40-PA/EZ-DR/HF/KS/ 900/YUC - 2904754



Cast front adapter with attached, halogen-free round cable and a 40-pos. socket strip injection-molded on both sides for the connection of Yokogawa controllers. Cable length: 9.0 m

## Passive module - FLKMS-KS40/SI/AI16/YCS - 2314273

### Accessories

#### Front adapters - FLK 40-PA/EZ-DR/HF/KS/1000/YUC - 2904646



Cast front adapter with attached, halogen-free round cable and a 40-pos. socket strip injection-molded on both sides for the connection of Yokogawa controllers. Cable length: 10.0 m

---

#### Front adapters - FLK 40-PA/EZ-DR/HF/KS/1500/YUC - 2904647



Cast front adapter with attached, halogen-free round cable and a 40-pos. socket strip injection-molded on both sides for the connection of Yokogawa controllers. Cable length: 15.0 m

---

#### Front adapters - FLK 40-PA/EZ-DR/HF/KS/2000/YUC - 2904488



Cast front adapter with attached, halogen-free round cable and a 40-pos. socket strip injection-molded on both sides for the connection of Yokogawa controllers. Cable length: 20.0 m

---

#### Front adapters - FLK 40-PA/EZ-DR/HF/KS/2500/YUC - 2904648



Cast front adapter with attached, halogen-free round cable and a 40-pos. socket strip injection-molded on both sides for the connection of Yokogawa controllers. Cable length: 25.0 m

---

#### Front adapters - FLK 40-PA/EZ-DR/HF/KS/3000/YUC - 2904649



Cast front adapter with attached, halogen-free round cable and a 40-pos. socket strip injection-molded on both sides for the connection of Yokogawa controllers. Cable length: 30.0 m

## Passive module - FLKMS-KS40/SI/AI16/YCS - 2314273

### Accessories

#### Front adapters - FLK 40-PA/EZ-DR/HF/KS/3500/YUC - 2904650



Cast front adapter with attached, halogen-free round cable and a 40-pos. socket strip injection-molded on both sides for the connection of Yokogawa controllers. Cable length: 35.0 m

---

#### Front adapters - FLK 40-PA/EZ-DR/HF/KS/4000/YUC - 2904651



Cast front adapter with attached, halogen-free round cable and a 40-pos. socket strip injection-molded on both sides for the connection of Yokogawa controllers. Cable length: 40.0 m

---

#### Front adapters - FLK 40-PA/EZ-DR/HF/KS/4500/YUC - 2904652



Cast front adapter with attached, halogen-free round cable and a 40-pos. socket strip injection-molded on both sides for the connection of Yokogawa controllers. Cable length: 45.0 m

---

#### Front adapters - FLK 40-PA/EZ-DR/HF/KS/5000/YUC - 2904653



Cast front adapter with attached, halogen-free round cable and a 40-pos. socket strip injection-molded on both sides for the connection of Yokogawa controllers. Cable length: 50.0 m