

Distributed I/O device - FLX ASI 3.0 DIO 4/4 M12-2A - 2773474

Please be informed that the data shown in this PDF Document is generated from our Online Catalog. Please find the complete data in the user's documentation. Our General Terms of Use for Downloads are valid (<http://phoenixcontact.com/download>)



AS-i digital input/output module, AB slave, 4 digital inputs, 24 V DC, 2, 3 and 4-conductor connection method, 4 digital outputs, 24 V DC, IP67 protection

Product Description

The digital Fieldline M12 AS-Interface input/output modules with IP67 housing protection make it possible to connect digital sensors and actuators to the AS-i using M12 plugs using the SPEEDCON connection method.

The modules are connected to AS-i using the flat-ribbon cable cable penetration technique.

Your advantages

- ✓ Tool-free connection to AS-Interface using penetration technique
- ✓ Optimized for direct mounting and DIN rail mounting
- ✓ M12 connection technology with SPEEDCON fast locking system for the I/Os



Key Commercial Data

Packing unit	1 pc
GTIN	 4 046356 178464
GTIN	4046356178464
Weight per Piece (excluding packing)	0.300 g
Custom tariff number	85176200
Country of origin	Indonesia

Technical data

Note

Utilization restriction	EMC: class A product, see manufacturer's declaration in the download area
-------------------------	---

Dimensions

Distributed I/O device - FLX ASI 3.0 DIO 4/4 M12-2A - 2773474

Technical data

Dimensions

Width	58 mm
Height	150 mm
Depth	35 mm
Drill hole spacing	108 mm

Ambient conditions

Ambient temperature (operation)	-25 °C ... 70 °C
Ambient temperature (storage/transport)	-25 °C ... 85 °C
Degree of protection	IP65/IP67

Interfaces

Designation	AS-Interface
Connection method	Flat-ribbon cable penetration technique
Designation connection point	AS-i
Transmission speed	167 kbps
Number of positions	4

AS-Interface

Slave type	A/B slave
AS-i specification	3.0
IO code	7
ID1 code	7
ID2 code	7
ID code (hex)	A
ID code (dec.)	10
AS-i profile	S-7.A.7
Required master specification	>= 3.0

Digital inputs

Input name	Digital inputs
Description of the input	IEC 61131-2 Type 2
Connection method	M12 connector
Connection technology	2, 3-wire
Number of inputs	4

Digital outputs

Output name	Digital outputs
Connection method	M12 connector
Connection technology	2-wire
Number of outputs	4

Distributed I/O device - FLX ASI 3.0 DIO 4/4 M12-2A - 2773474

Technical data

Digital outputs

Maximum output current per channel	2 A
Maximum output current per module / terminal block	4 A

General

Mounting type	Wall mounting
Color	black
Net weight	245 g
Mounting type	Screw on directly or on DIN rail
Mounting position	any

Standards and Regulations

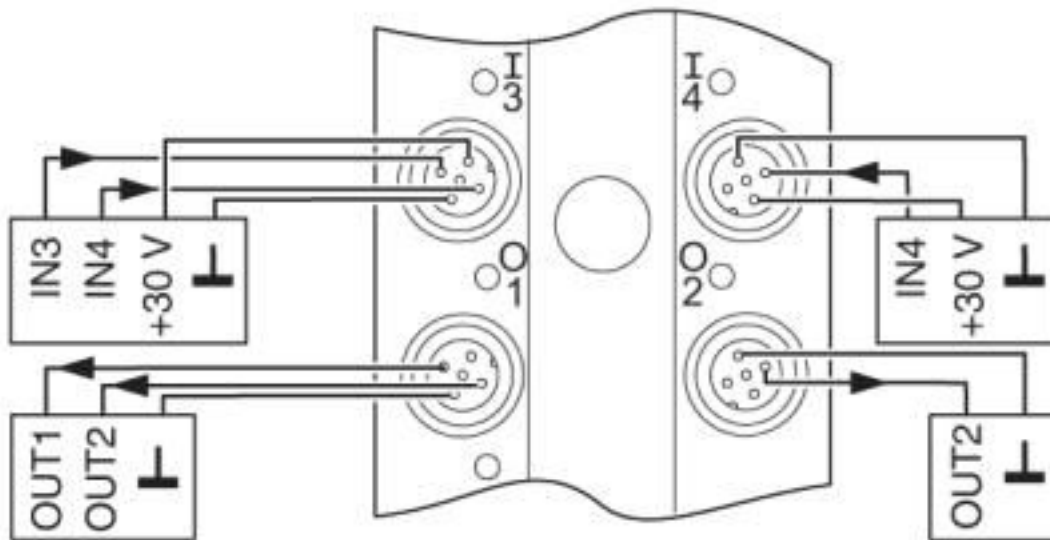
Protection class	III (IEC 61140, EN 61140, VDE 0140-1)
------------------	---------------------------------------

Environmental Product Compliance

REACH SVHC	Lead 7439-92-1
China RoHS	Environmentally friendly use period: unlimited = EFUP-e
	No hazardous substances above threshold values

Drawings

Connection diagram



Distributed I/O device - FLX ASI 3.0 DIO 4/4 M12-2A - 2773474

Classifications

eCl@ss

eCl@ss 10.0.1	27242604
eCl@ss 4.0	27250300
eCl@ss 4.1	27250300
eCl@ss 5.0	27250300
eCl@ss 5.1	27242600
eCl@ss 6.0	27242600
eCl@ss 7.0	27242604
eCl@ss 8.0	27242604
eCl@ss 9.0	27242604

ETIM

ETIM 2.0	EC001430
ETIM 3.0	EC001599
ETIM 4.0	EC001599
ETIM 5.0	EC001599
ETIM 6.0	EC001599
ETIM 7.0	EC001599

UNSPSC

UNSPSC 6.01	43172015
UNSPSC 7.0901	43201404
UNSPSC 11	43172015
UNSPSC 12.01	43201404
UNSPSC 13.2	32151602
UNSPSC 18.0	32151602
UNSPSC 19.0	32151602
UNSPSC 20.0	32151602
UNSPSC 21.0	32151602

Accessories

Accessories

Addressing device

Distributed I/O device - FLX ASI 3.0 DIO 4/4 M12-2A - 2773474

Accessories

Manual addressing device - ASI CC ADR - 2741338



Manual addressing device, for AS-i modules

Data cable by the meter

Flat-ribbon conductor - VS-ASI-FC-EPDM-YE 100M - 1432402



AS-Interface EPDM flat conductor in yellow, 2 x 1.5 mm², 100 m ring

Flat-ribbon conductor - VS-ASI-FC-EPDM-YE 1000M - 1434646



AS-Interface EPDM flat conductor in yellow, 2 x 1.5 mm², 1000 m on a disposable drum

Flat-ribbon conductor - VS-ASI-FC-TPE-UL-YE 100M - 1404922



AS-Interface TPE flat conductor with UL in yellow, 2 x 1.5 mm², 100 m ring

Flat-ribbon conductor - VS-ASI-FC-TPE-UL-YE 1000M - 1434662



AS-Interface TPE flat conductor with UL in yellow, 2 x 1.5 mm², 1000 m on disposable drum

Distributed I/O device - FLX ASI 3.0 DIO 4/4 M12-2A - 2773474

Accessories

Flat-ribbon conductor - VS-ASI-FC-PVC-UL-YE 100M - 1404906



AS-Interface PVC flat conductor with UL in yellow, 2 x 1.5 mm², 100 m ring

Flat-ribbon conductor - VS-ASI-FC-PVC-UL-YE/1000 - 1404867



AS-Interface PVC flat conductor with UL in yellow, 2 x 1.5 mm², 1000 m on an one-way drum

Plug for cable screw gland

Screw plug - PROT-M12 - 1680539



An M12 screw plug for the unoccupied M12 sockets of the sensor/actuator cable, boxes and flush-type connectors

Programming cable

Cable for programming - ASI CC ADR CAB CINCH - 2741341



Cinch connecting cable, for addressing FLX ASI M12 devices
